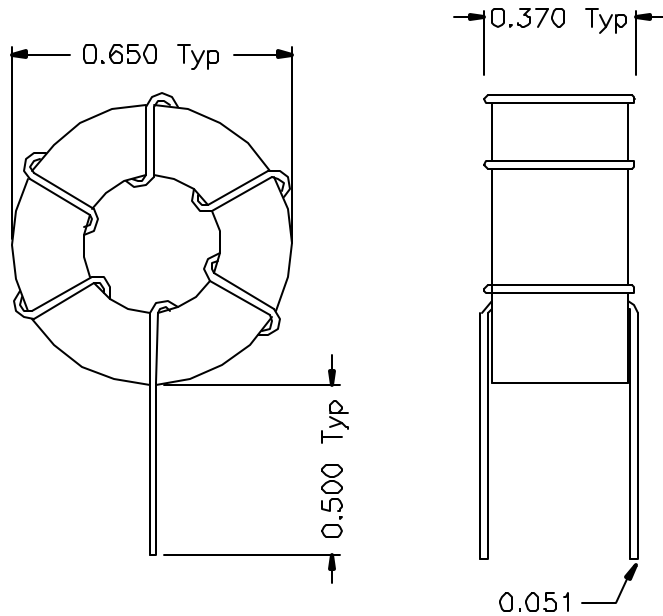


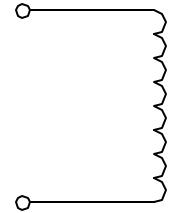
**1. Mechanical Dimensions:**



**NOTE:**

STRIP AND TIN TO MOUNT PLAIN  
 VARNISH REQUIRED  
 NO MARKINGS REQUIRED

**2. Schematic:**



**3. Electrical Specifications: @25°C**

OCL: 2.13uH±15% @10.0KHz 0.1V  
 DC Resistance: 0.002 Ohms Maximum  
 DC Current: 15.0Adc

**Notes:**

- 1 Solderability: Leads shall meet MIL-STD-202, Method 208D for solderability.
- 2 Flammability: UL94V-0
3. ASTM oxygen index: > 28%
4. Insulation System: Class F 155°C. UL file E151556
5. Operating Temperature Range: All listed parameters are to be within tolerance from -40°C to +85°C
6. Storage Temperature Range: -55°C to +125°C
7. Aqueous wash compatible

DOC REV.: A/1

<b>XFMRs Inc</b>		Title: TOROIDAL INDUCTOR	
		P/N: XF0036-VO4	REV. A
UNLESS OTHERWISE SPECIFIED TOLERANCES: .xxx ±0.10 Dimensions in INCH	DWN.	李清儿	Feb-28-01
	CHK.	孙小悦	Feb-28-01
	APP.	Joe Huff	Feb-28-01