

RUGGED GALAXY™ SERIES PURE-SINEWAVE DC-AC INVERTERS

Input: 105-150 VDC

Output: 120V or 220V 1Ø
50, 60, or 400 Hz

Power: 120 VA - 35+ KVA



APPLICATIONS

Utilizing field proven technology, this family of rugged pure sinewave DC-AC Inverters is suitable for harsh environments and can be customized for unique applications including:

- Shelters
- Tactical Systems
- Ground support
- MIL-STD-810
- Utility Applications
- Mobile Systems
- MIL-STD-167
- MIL-STD-461



NOVA ELECTRIC
www.novaelectric.com
novasales@theallpower.com



A Leader in DC-AC Inverter Technology since 1966 - 120VA to 35+KVA

MADE IN USA

RUGGED PURE SINEWAVE DC-AC INVERTER

CAN MEET MIL-STD-810, MIL-STD-1399, MIL-S-901, MIL-STD-704, & MIL-STD-461 OPTIONALLY

APPLICATIONS

The transformer isolated Galaxy Series Inverters are extremely rugged by design, and feature an optional advanced Internal Suppression Filter Network (ISFN) to suppress the significant transients usually associated with electric utility and military applications. The units are also extremely reliable, designed to provide many years of service in harsh shock, vibration, humidity, and EMI environments.

HIGH-RELIABILITY

MTBF: 100,000 Hours
MTBR: 30 Minutes (assuming qualified tech)

STANDARD INDICATORS

- Output Volt & Amp Meters (GS/GH Models)
- Input Power On Lamp (GS/GH Models)

SPECIFICATIONS

ELECTRICAL

Input: 105 - 150VDC
Output: specify 120 or 220VAC 1Ø
(Three-Phase Output Optional)
Frequency: Specify 50, 60, or 400Hz
Voltage Regulation: $\pm 2\%$ NL to FL
Frequency Regulation: $\pm 0.5\%$ NL to FL
Harmonic Distortion: 5% THD
Power Factor: 0.7 lead to 0.7 lag
Efficiency at full load: 75-88% typical
Overload: 125% for 5 minutes

PROTECTIVE FEATURES

Current Limit, Short Circuit Protection, Thermal Protection, Semiconductor Protection, and (Optional) ISFN

ENVIRONMENTAL

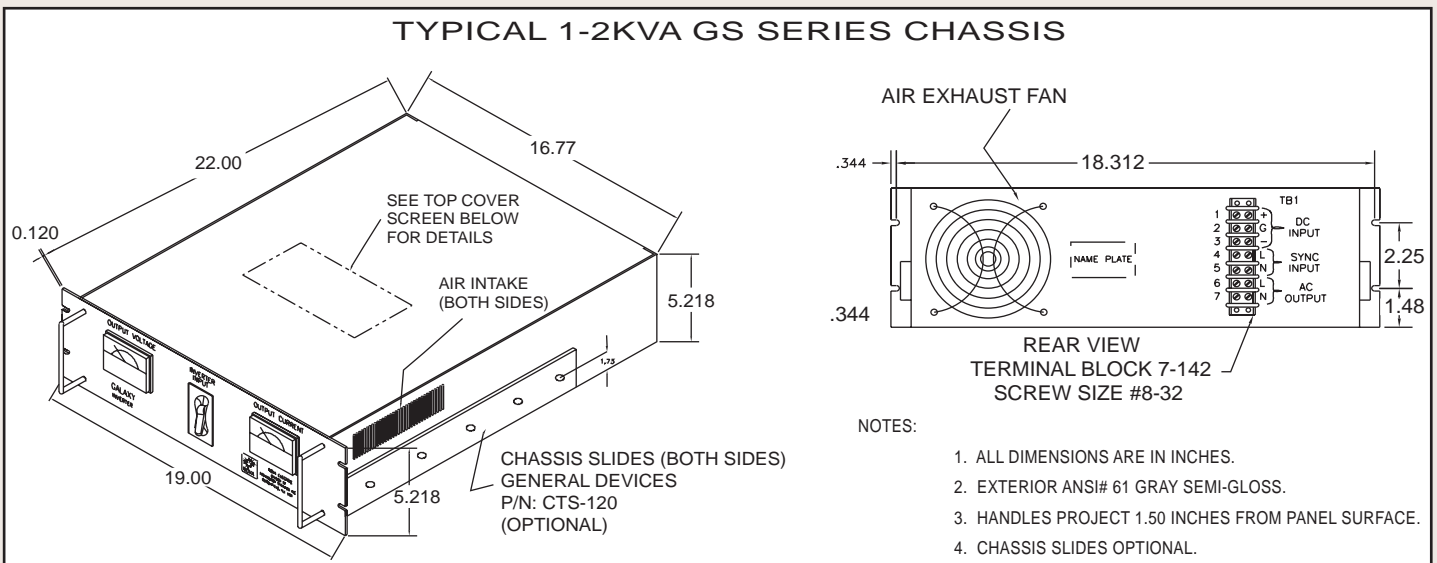
Operating Temp.: -20° to $+50^{\circ}$ C
Storage Temp. Range: -40° to $+71^{\circ}$ C
Humidity: to 95% non-condensing
Elevation: 15,000 Ft. (4,572m) operating;
40,000 ft. (12,192m) non-operating
Shock: 20g for 11mS half sinewave
Audible Noise: Less than 55 dbA at 5 ft.

OPTIONS

- Ruggedization
- Chassis Slides (GS Models 1-5KVA)
- NEMA Cabinet Enclosures
- Additional Meters
- Input Transient Filter (ISFN)
- Static Transfer Switch

MODEL SELECTION

MODELS	OUTPUT POWER	WEIGHT (LBS)	DIMENSIONS H x W x D (Inches)
1260-120	125 VA	20	5.25 x 6.00 x 9.75
2560-120	250 VA	37	6.88 x 9.00 x 13.25
GS1K60-120	1 KVA	87	5.25 x 19.00 x 22.00
GS1.5K60-120	1.5 KVA	105	5.25 x 19.00 x 22.00
GS2K60-120	2 KVA	120	5.25 x 19.00 x 22.00
GS2.5K60-120	2.5 KVA	125	8.75 x 19.00 x 23.00
GS3K60-120	3 KVA	130	8.75 x 19.00 x 23.00
GS5K60-120	5 KVA	140	8.75 x 19.00 x 23.00
GH7.5K60-120	7.5 KVA	175	36.00 x 24.00 x 17.20
GH10K60-120	10 KVA	260	36.00 x 24.00 x 17.20
GH15K60-120	15 KVA	350	42.00 x 30.00 x 21.20
GH20K60-120	20 KVA	475	54.00 x 36.00 x 16.00
GH25K60-120	25 KVA	600	60.00 x 36.00 x 16.00
GH30K60-120	30 KVA	800	60.00 x 48.00 x 18.00
GH35K60-120	35 KVA	1,000	60.00 x 48.00 x 18.00



WEB : www.novaelectric.com

E-Mail : novasales@theallpower.com

PHONE : (201) 385-0500 FAX : (201) 385-0702



NOVA ELECTRIC

A Division of

TECHNOLOGY DYNAMICS, INC.

100 School St., Bergenfield NJ 07621



ISO 9001