

Voice Coils

COBHAM

Rotary Voice Coil Actuator
PN 16224

2016 Data Sheet

The most important thing we build is trust

Features:

- 12 degrees total range of motion
- Simple construction

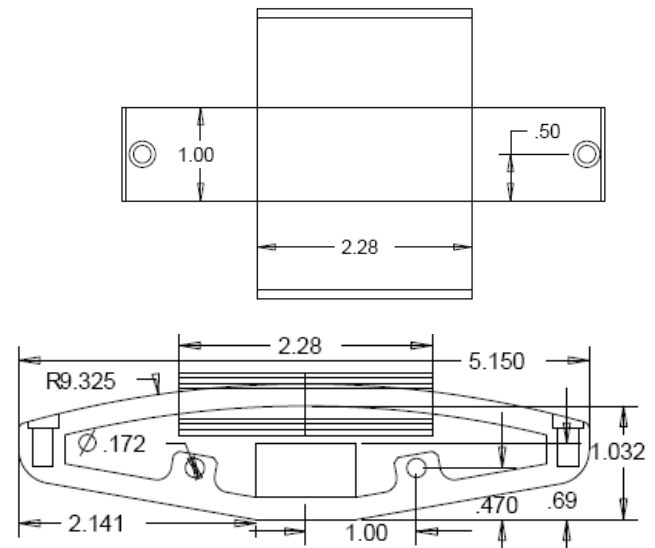
Description:

Typically used on aerospace platforms such as payload gimbals. Can be used in a wide variety of commercial, industrial or aerospace applications.



Specifications

Specification	Value	Units	Basis
Range of Motion	± 6	degrees	Nominal
Kt	53	in-oz/amp	Nominal
Peak Torque	222	in-oz	Minimum
Operating Voltage	20	VDC	Nominal
Resistance	4.8	ohms	$\pm 10\%$
Km	24	in-oz/ \sqrt{w}	Nominal
Weight	TBS	ounces	Nominal



Cobham Advanced Electronic Solutions
Integrated Electronic Solutions
350 Kennedy Drive
Hauppauge, NY 11788

Tel: 1.631.231.9100
Email: motion.sales@cobham.com