

Antenna - RAD-ISM-2400-ANT-OMNI-6-0 - 2885919

Please be informed that the data shown in this PDF Document is generated from our Online Catalog. Please find the complete data in the user's documentation. Our General Terms of Use for Downloads are valid (<http://phoenixcontact.com/download>)

Omnidirectional antenna, 2.4 GHz, gain: 6 dBi, polarization: linear, opening angle: h/v 360°/30°, degree of protection: IP67, seawater-resistant, connection: N (female), incl. mounting bracket and mast clips, ATEX and IECEx approval




Why buy this product

- For use in potentially explosive areas
- Salt water resistant
- For medium distances
- For freely mobile applications
- For multipoint or mesh connections



Key Commercial Data

Packing unit	1 STK
GTIN	 4 046356 146319
GTIN	4046356146319

Technical data

Dimensions

Width	22 mm
Height	250 mm

Ambient conditions

Degree of protection	IP67
Ambient temperature (operation)	-40 °C ... 75 °C
Ambient temperature (storage/transport)	-40 °C ... 75 °C

General

With connecting cable	No
Frequency range	2.4 GHz
	2.4 GHz ... 2.5 GHz

Antenna - RAD-ISM-2400-ANT-OMNI-6-0 - 2885919

Technical data

General

Horizontal beamwidth	360 °
Vertical beamwidth	30 °
Polarization	Linear vertical
Impedance	50 Ω
Gain	6 dBi
Connection method	N (female)
Conformance	CE-compliant
ATEX	# II 1G Ex ia IIC T6 Ga
IECEX	Ex ia IIC T6 Ga
Material	Fiberglass-reinforced plastic (Antenna housing)
	V2A (Bracket)
	V2A (Mast clip)
Mounting type	Mast mounting or wall mounting
External diameter	25 mm ... 100 mm (Mast)

Standards and Regulations

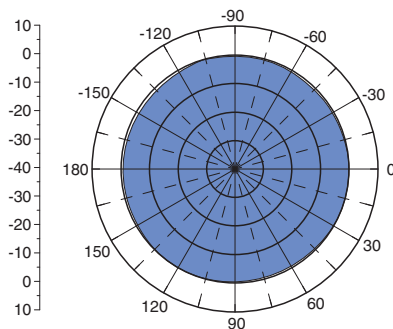
Standards/regulations	EN 60079-0
	EN 60079-11
	EN 60079-26
Conformance	CE-compliant
ATEX	# II 1G Ex ia IIC T6 Ga
IECEX	Ex ia IIC T6 Ga

Environmental Product Compliance

China RoHS	Environmentally Friendly Use Period = 25;
	For details about hazardous substances go to tab "Downloads", Category "Manufacturer's declaration"

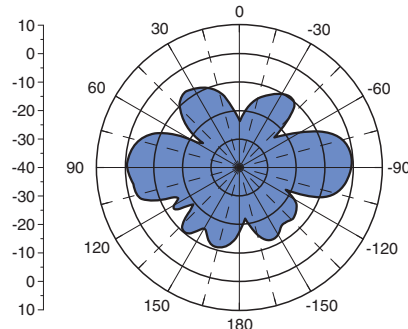
Drawings

Diagram



Horizontal

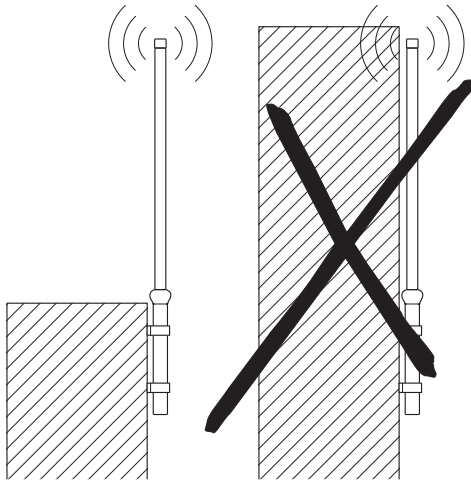
Diagram



Vertical

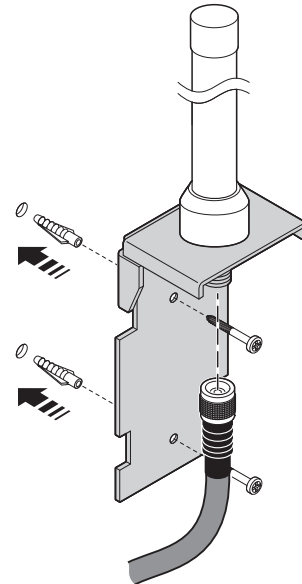
Antenna - RAD-ISM-2400-ANT-OMNI-6-0 - 2885919

Schematic diagram



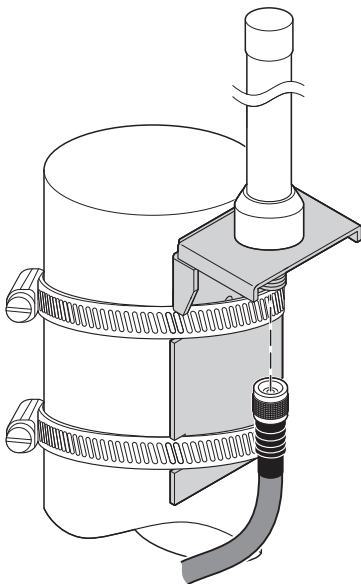
Wall mounting

Schematic diagram



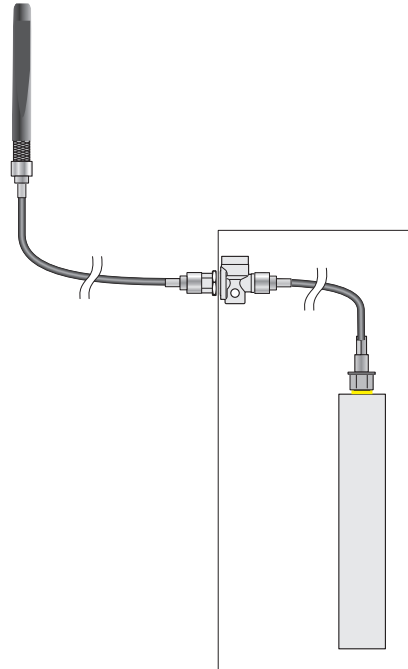
Wall mounting

Schematic diagram



Mast mounting

Schematic diagram



Installation example

Phoenix Contact 2018 © - all rights reserved
<http://www.phoenixcontact.com>

PHOENIX CONTACT GmbH & Co. KG
Flachsmarktstr. 8
32825 Blomberg
Germany
Tel. +49 5235 300
Fax +49 5235 3 41200
<http://www.phoenixcontact.com>