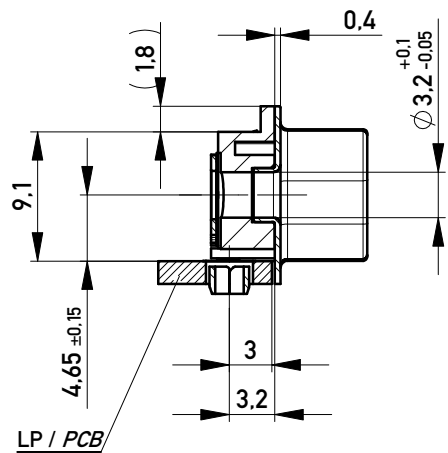
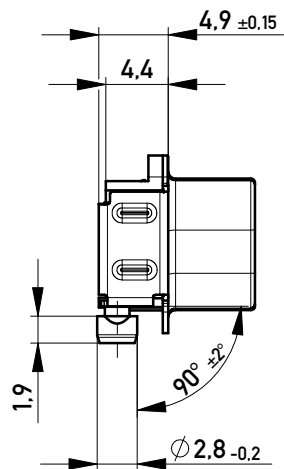
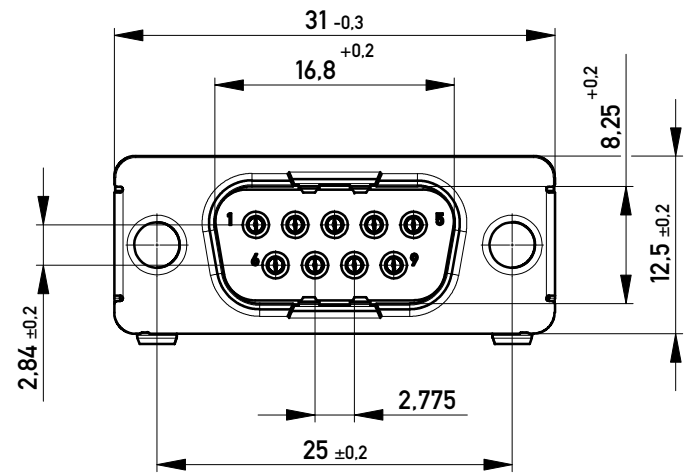
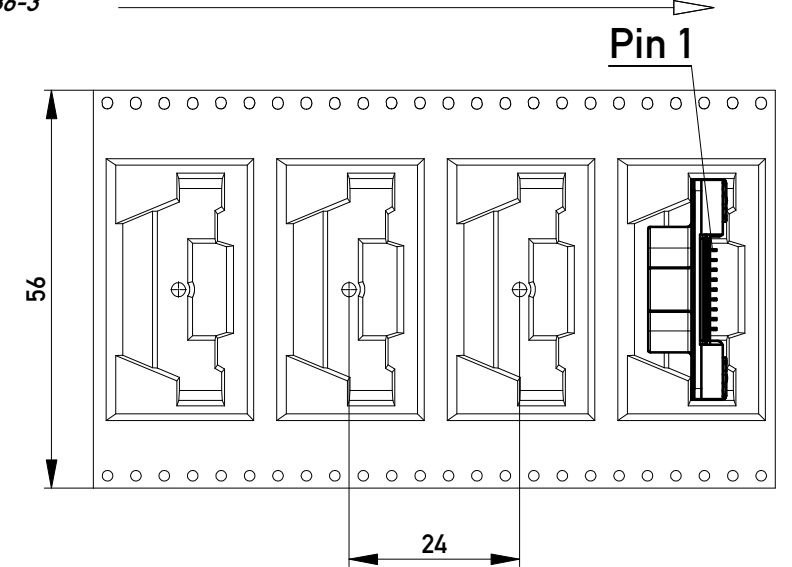
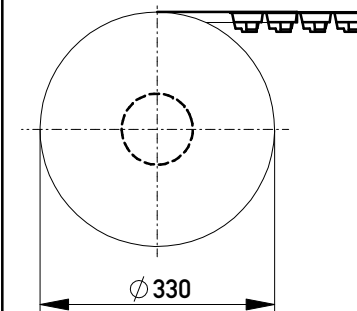


Anwendungsbeispiel
example of use

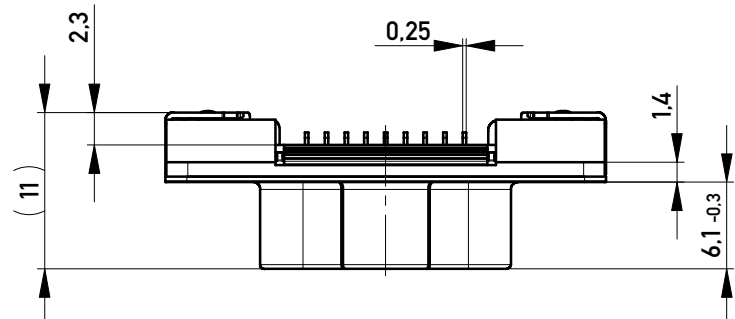
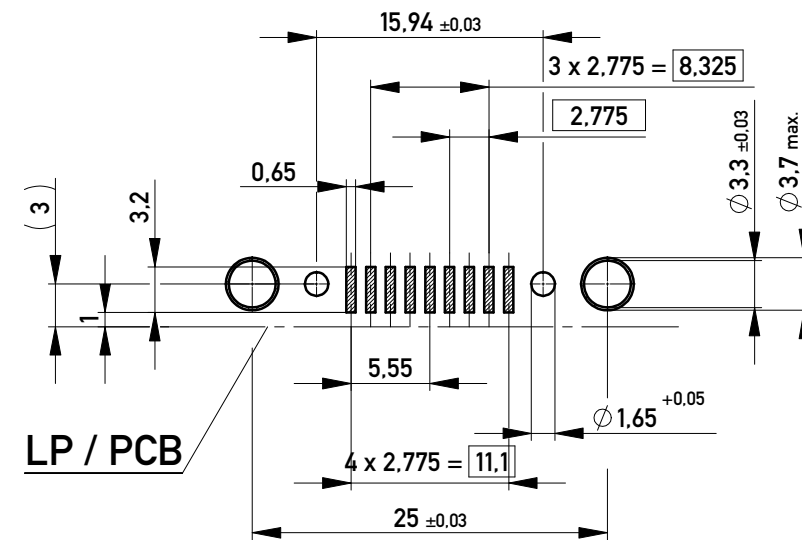


Verpackt im Gurt in Anlehnung an DIN IEC 60286-3
Tape on Reel Packaging according to DIN IEC 60286-3
Vorlaufband 400 mm / Nachlaufband 160 mm
Leader 400 mm / Trailer 160 mm
Verpackungseinheit: 200 Stück
Packaging unit: 200 pcs

Abspulrichtung - Reel off Direction



Layoutvorschlag
recommended layout



Anschlussbereich verzinkt
terminal area tin plating

Koplanarität der Anschlüsse ≤ 0,1 mm
coplanarity area of termination ≤ 0,1 mm

Anforderungsstufe: 2
class: 2

Fehlende Masse und Angaben siehe DIN 41652 / *Missing information and dimensions according to DIN 41652*
Sonstige Angaben siehe Fertigungsunterlagen / *Additional indications according to production documentation*

Information:	Tolerances	 All Dimensions in mm	Scale	2:1
	All rights reserved. Only for Information. To ensure that this is the latest version of this drawing, please contact one of the ERNI companies before using.		Designation TMC-P-09-SMD-Slim_Line-BA8 <i>TMC-P-09-SMD-Slim Line-BA8</i>	
Subject to modification without prior notice. Drawing will not be updated.		 www.ERNI.com	100102620003	
Index	Date		Class	TMCP

Copyright by ERNI Production GmbH & Co. KG
Proprietary notice pursuant to ISO 16016 to be observed.

K
A3