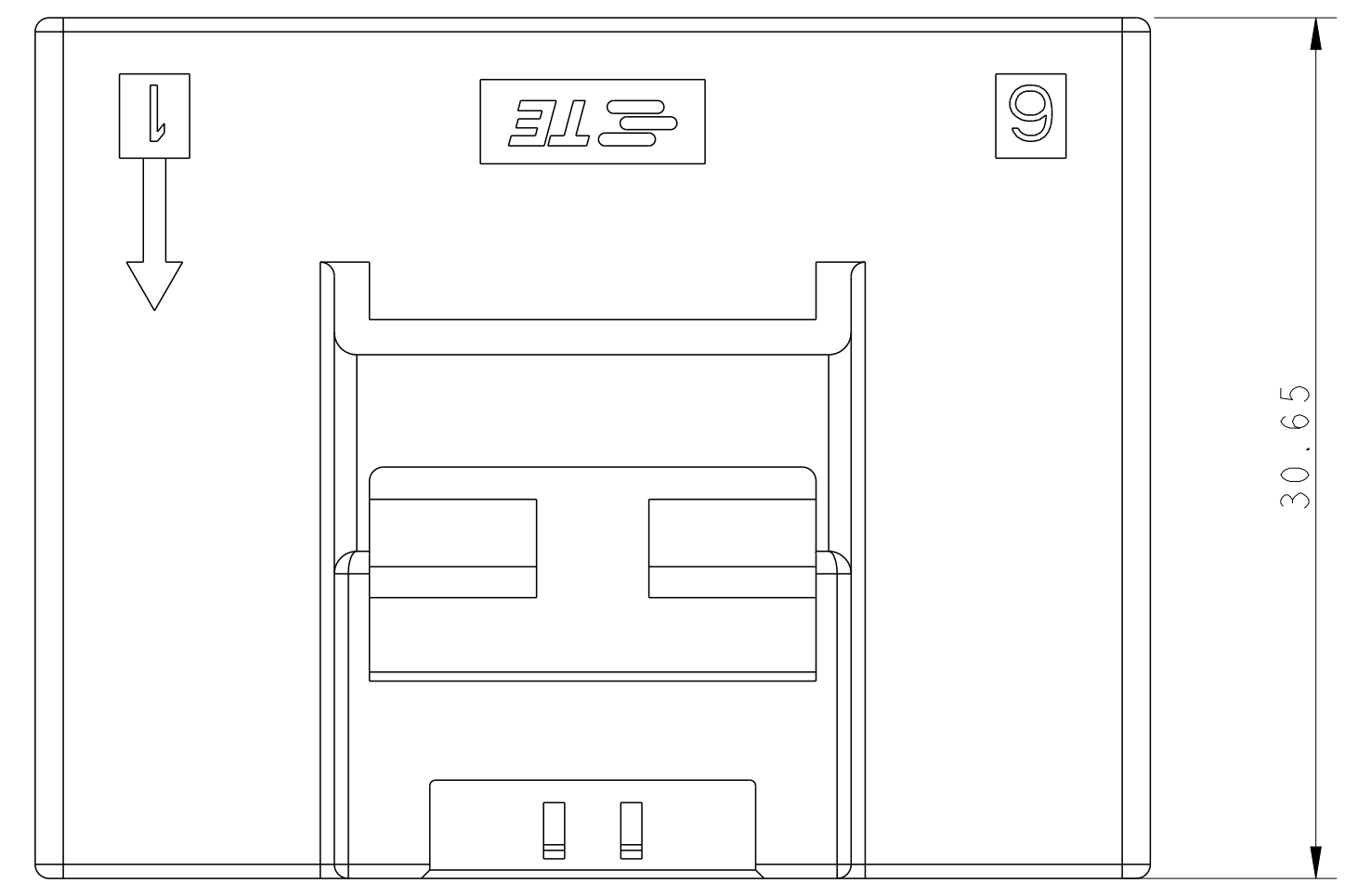
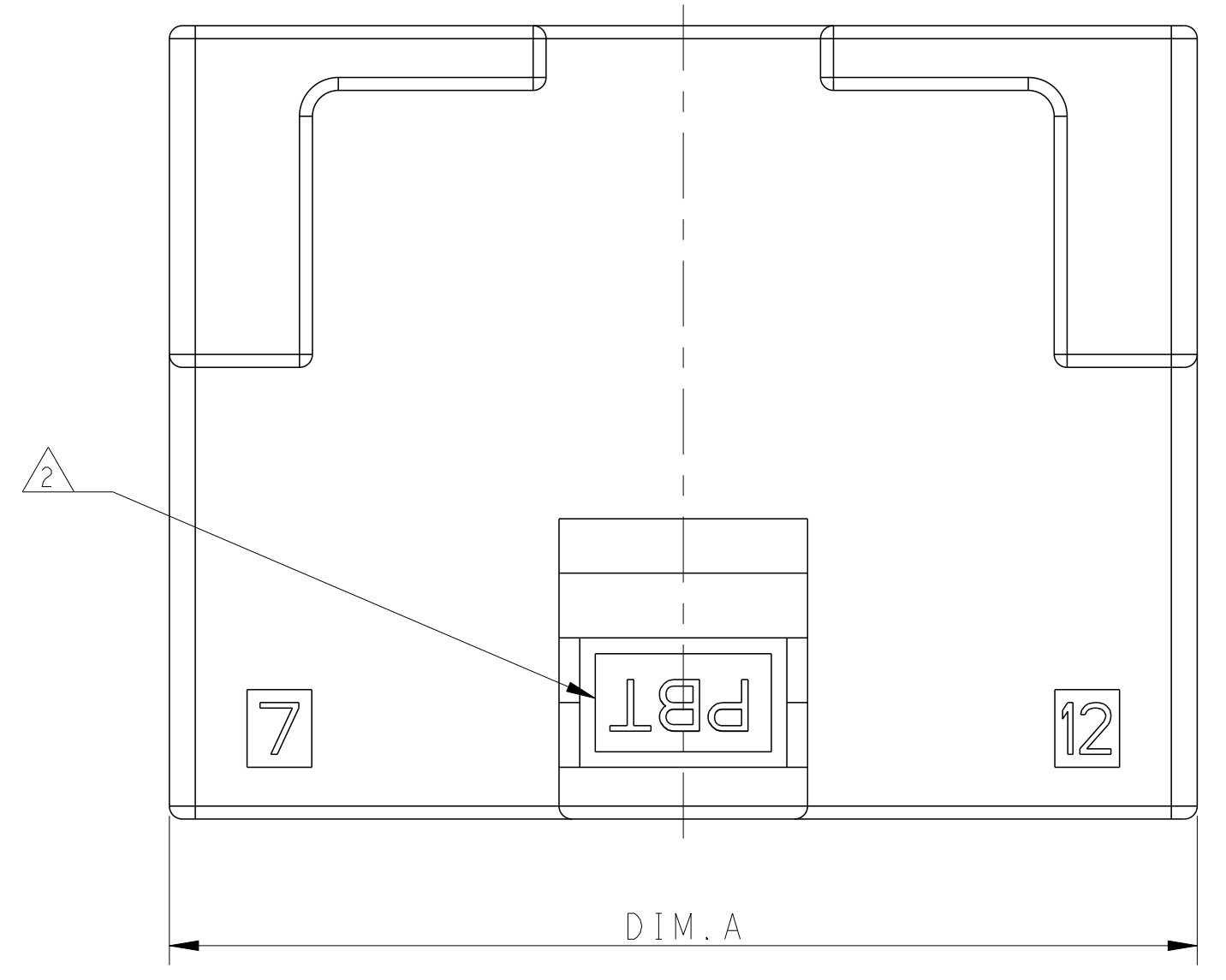
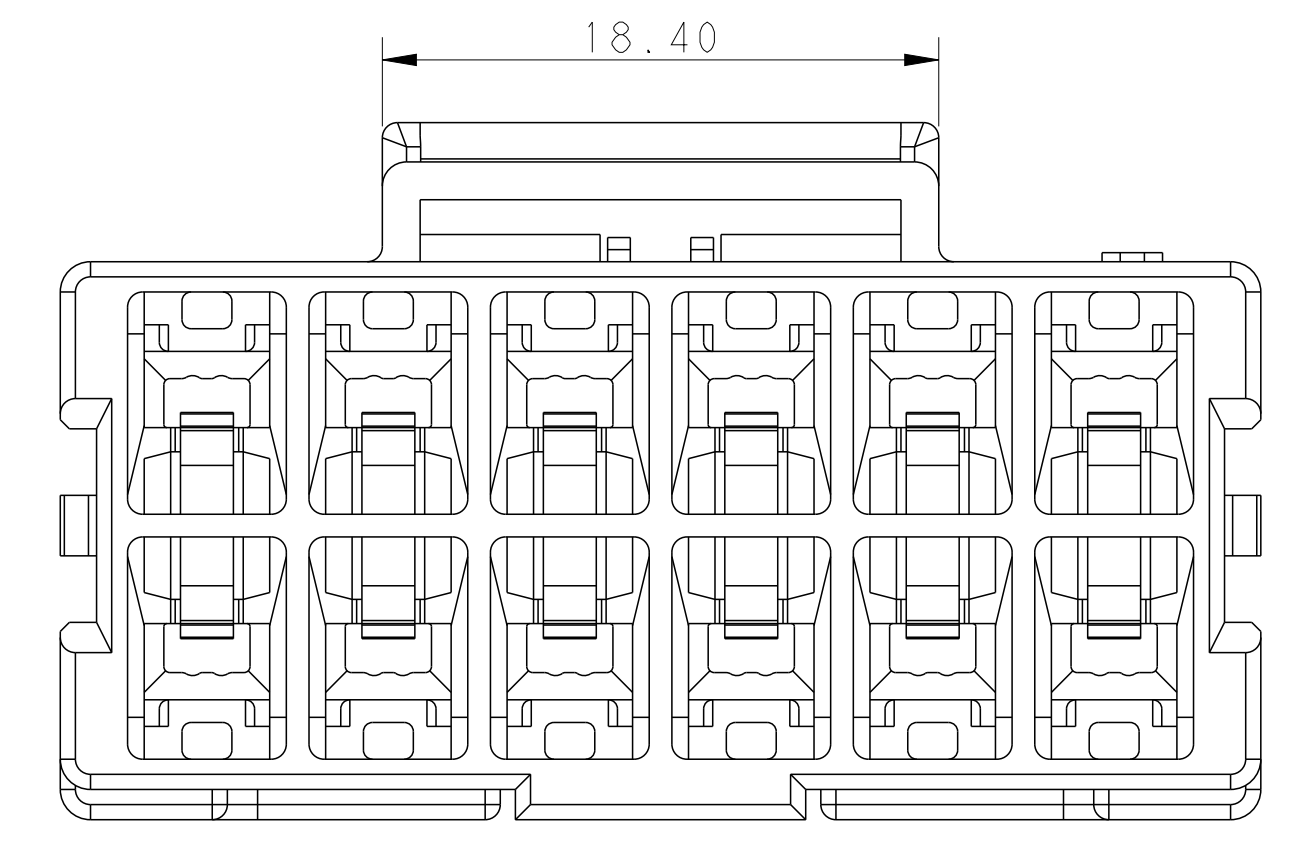
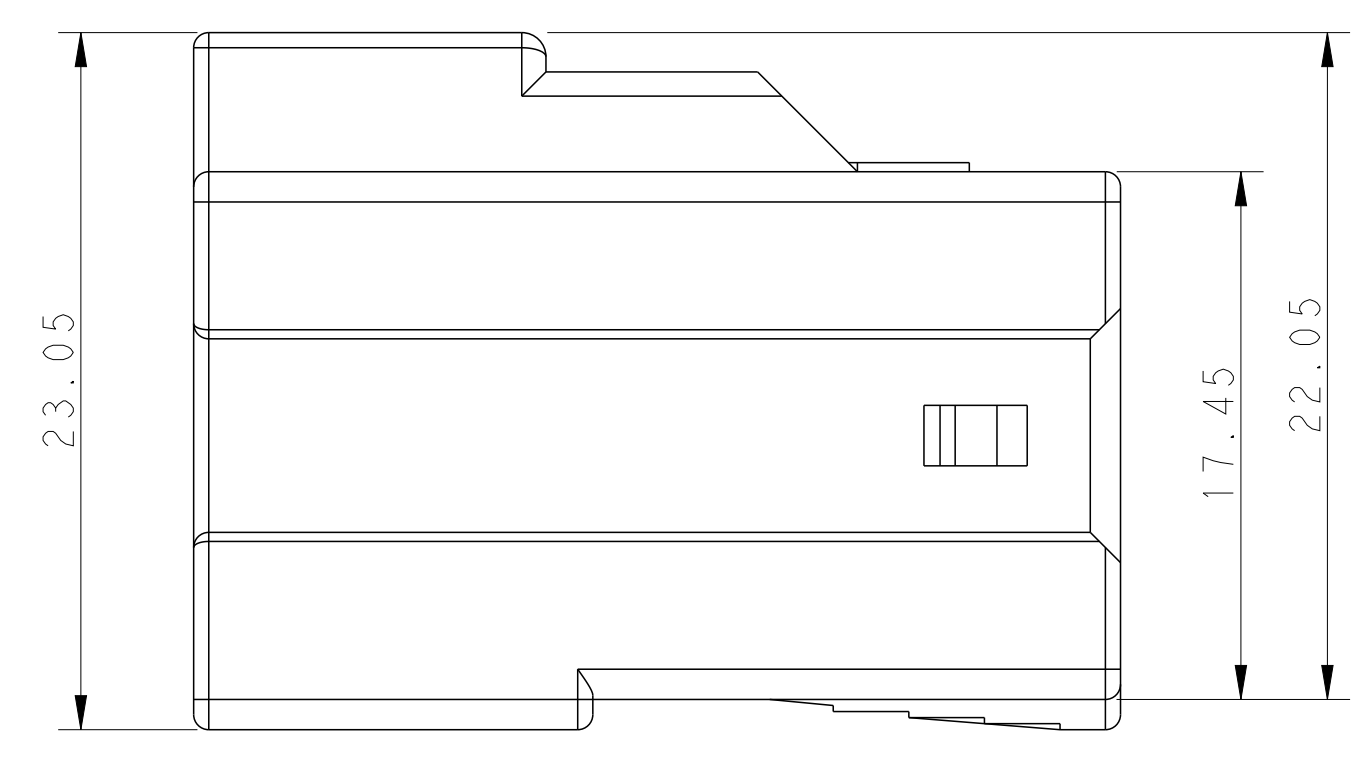
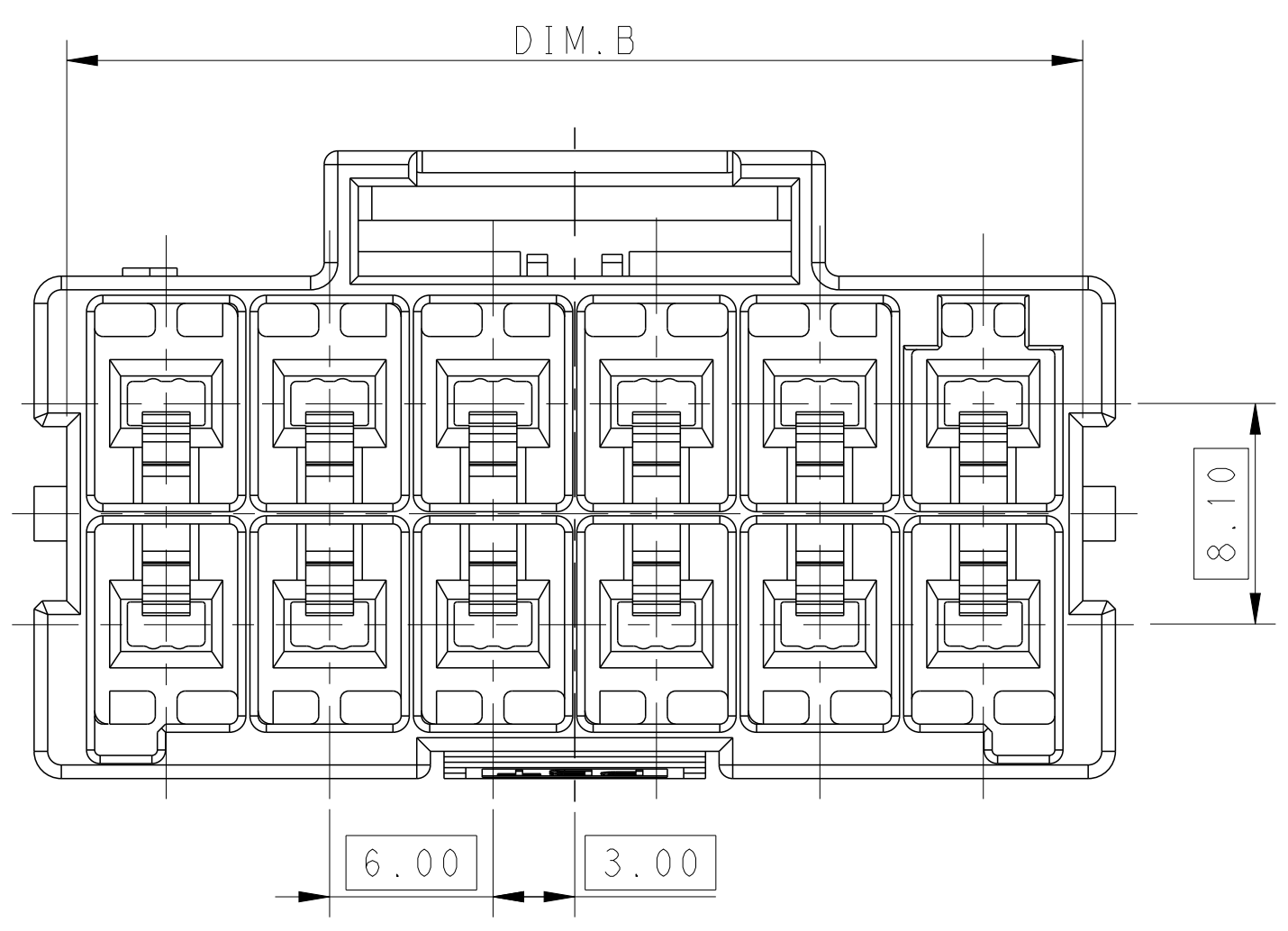


| LOC | | DIST | | REVISIONS | | | |
|-----|-----|---------------------------|-----------|-----------|------|--|--|
| P | LTN | DESCRIPTION | DATE | DWN | APVD | | |
| C | | REVISED PER ECR-16-003314 | 15JUL2016 | BW | GJ | | |



- △ MATERIAL:
 LEVEL 1:PBT, STANDARD TEMPERATURE 105°C
 KEY A:NATURAL; KEY B:PURPLE; KEY C:BLUE; KEY D:YELLOW

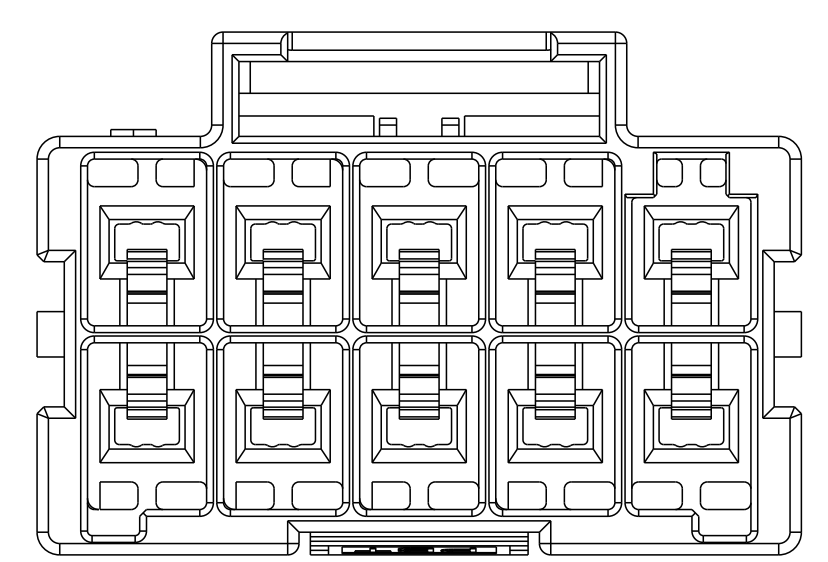
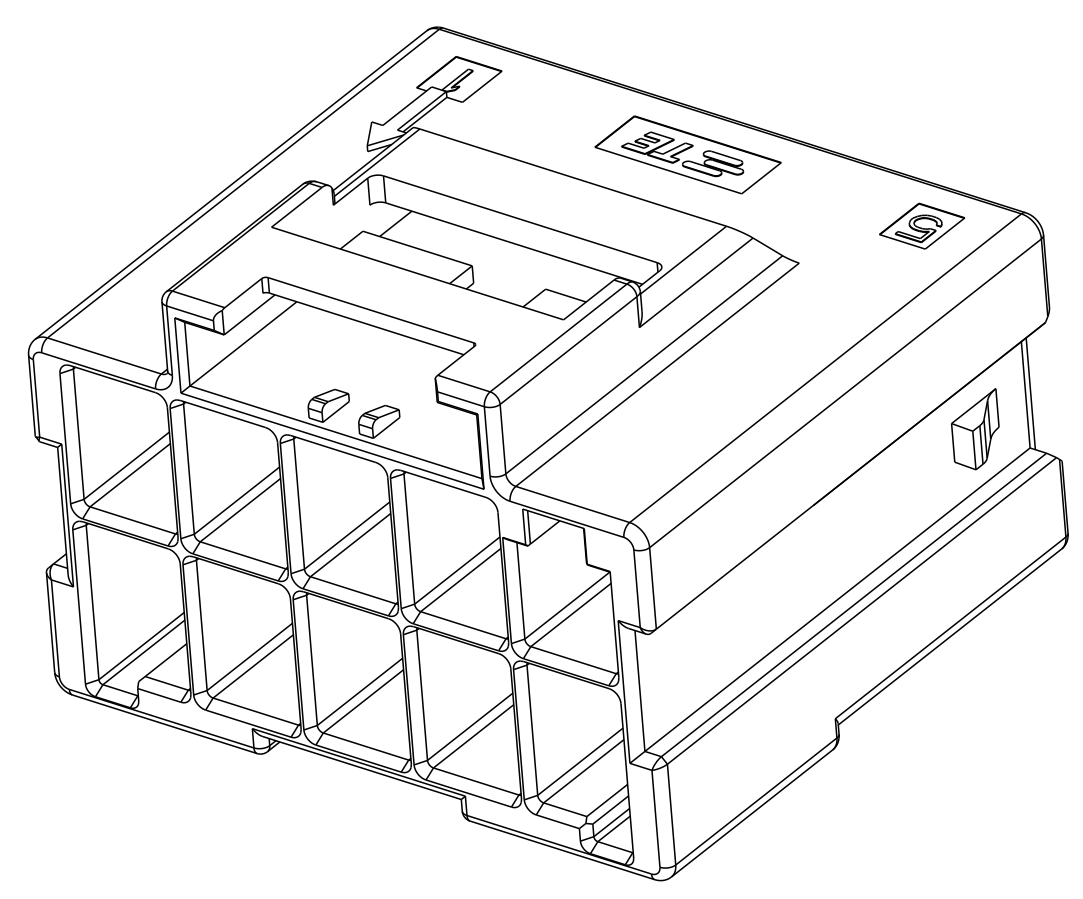
 LEVEL 2:NYLON, HIGH TEMPERATURE 150°C
 KEY A:LIGHT GREY; KEY B:RED; KEY C:BLACK; KEY D:NATURAL
 - △ MATERIAL MARK:
 LEVEL 1:PBT, LEVEL 2:HDT
 - 3 APPLICABLE CONTACT P/N
 TAB CONTACT:1971238/1971780/82/84/86/88-*,2238067-*
 - 4 MATING CONN, P/N
 PLUG HSG:*-1971776-
 TPA(LOCK PLATE):*-1971778-*
- 5 THIS PRODUCT HAS NOT COMPLETED VALIDATION TESTING



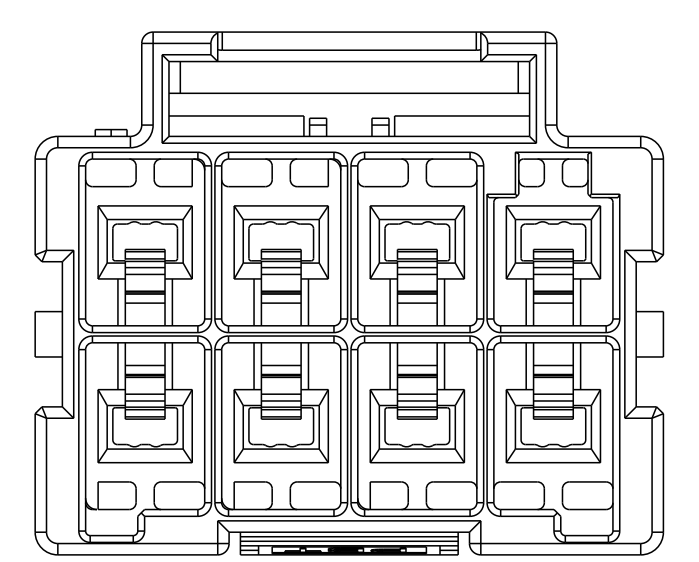
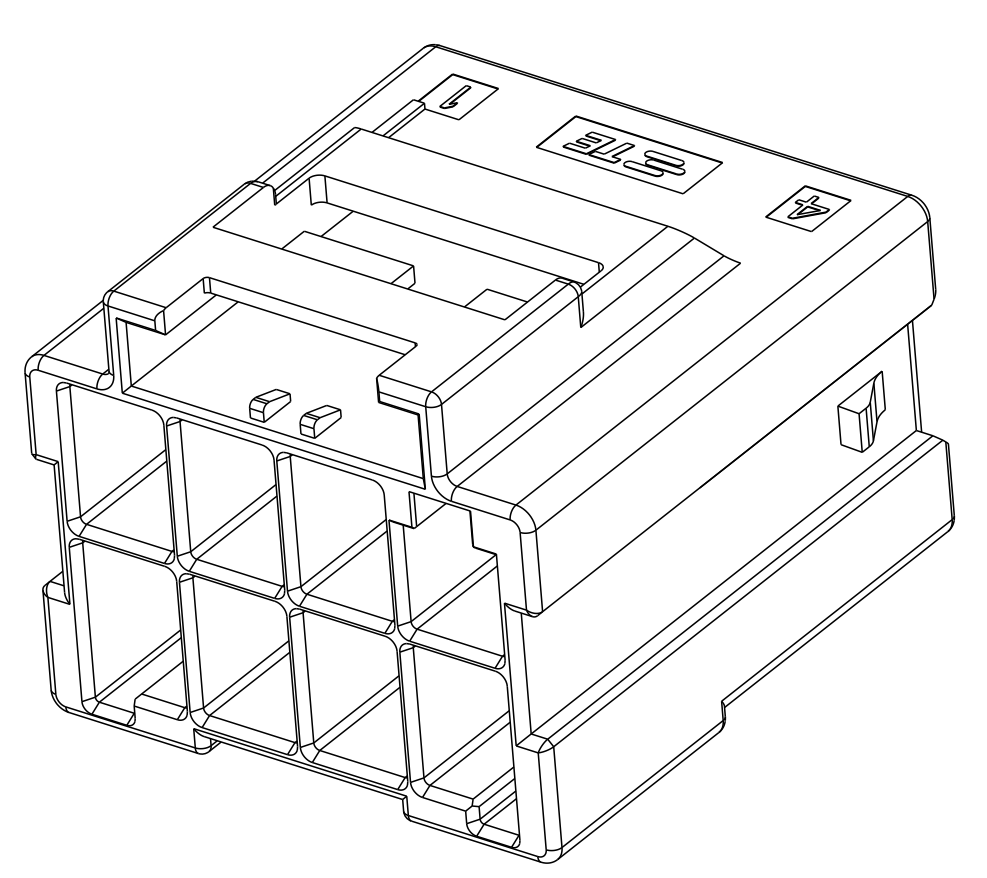
| POS. | DIM. A | DIM. B |
|------|--------|--------|
| 2*6 | 39.70 | 37.30 |
| 2*5 | 33.70 | 31.30 |
| 2*4 | 27.70 | 25.30 |
| 2*3 | 21.70 | 19.30 |

| | | | |
|---|--|---|-----------------------------|
| THIS DRAWING IS A CONTROLLED DOCUMENT. | | DWN: TOMMY WU 09JUL2012 | STE TE Connectivity |
| DIMENSIONS: mm | | CHK: HAPYE WU 09JUL2012 | |
| TOLERANCES UNLESS OTHERWISE SPECIFIED: | | APVD: YUHONG MAO 09JUL2012 | |
| 0 PLC ± 1 PLC ±0.35 2 PLC ±0.25 3 PLC ± 4 PLC ± ANGLES ± FINISH - | | NAME: CAP HOUSING, FREE HANGING, DOUBLE ROW POWER TRIPLE LOCK PRODUCT SPEC: 108-106118 APPLICATION SPEC: 114-106118 SIZE: A1 CAGE CODE: 00779 DRAWING NO: C=1971774 WEIGHT: - RESTRICTED TO: - | |
| MATERIAL: △ | | Customer Drawing | SCALE: - SHEET 1 OF 2 REV C |

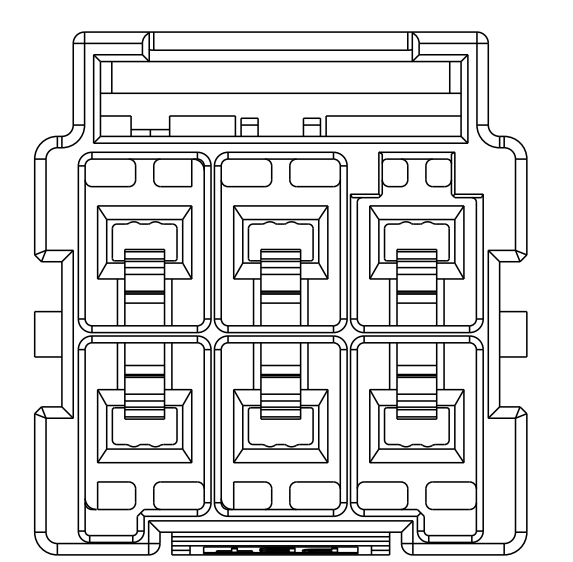
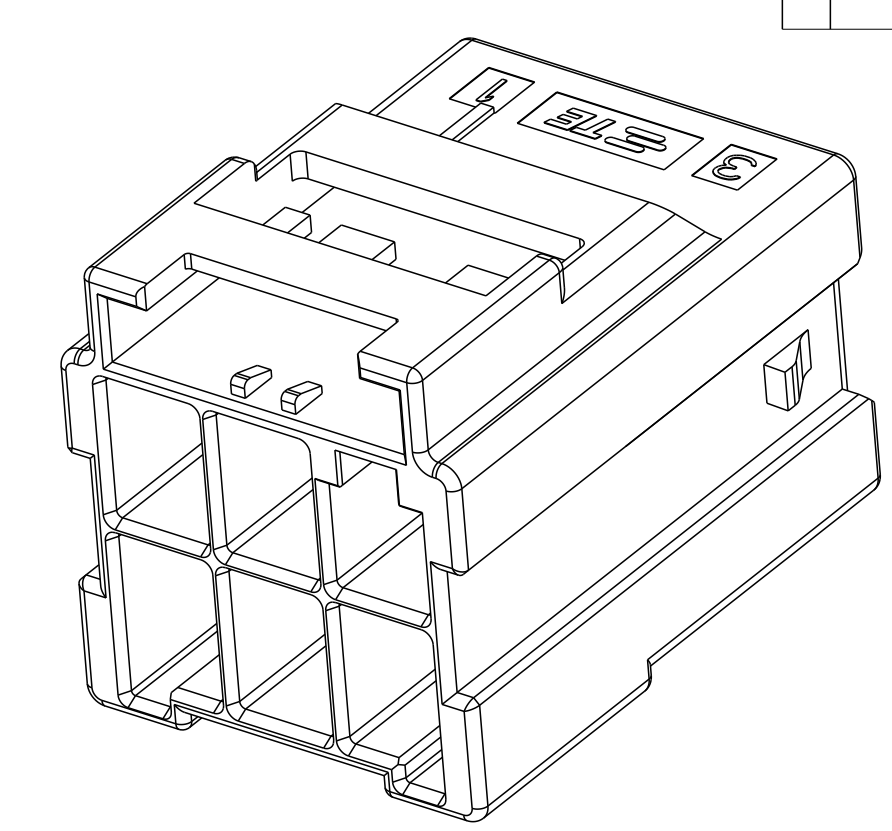
| LOC | | DIST | | REVISIONS | | | |
|-----|-----|-------------|------|-----------|------|--|--|
| P | LTN | DESCRIPTION | DATE | OWN | APVD | | |
| - | - | SEE SHEET 1 | - | - | - | | |



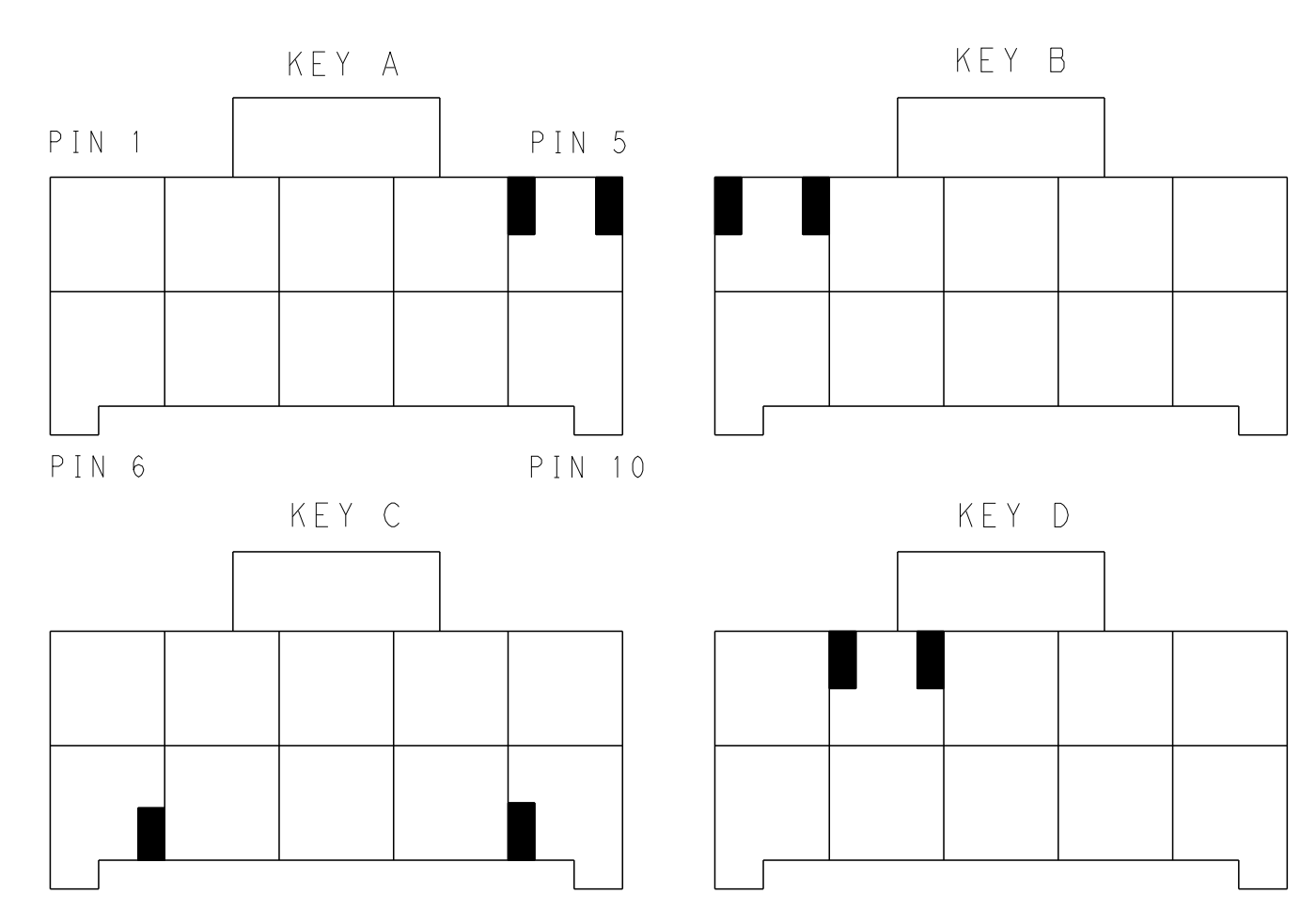
2*5 POSITIONS



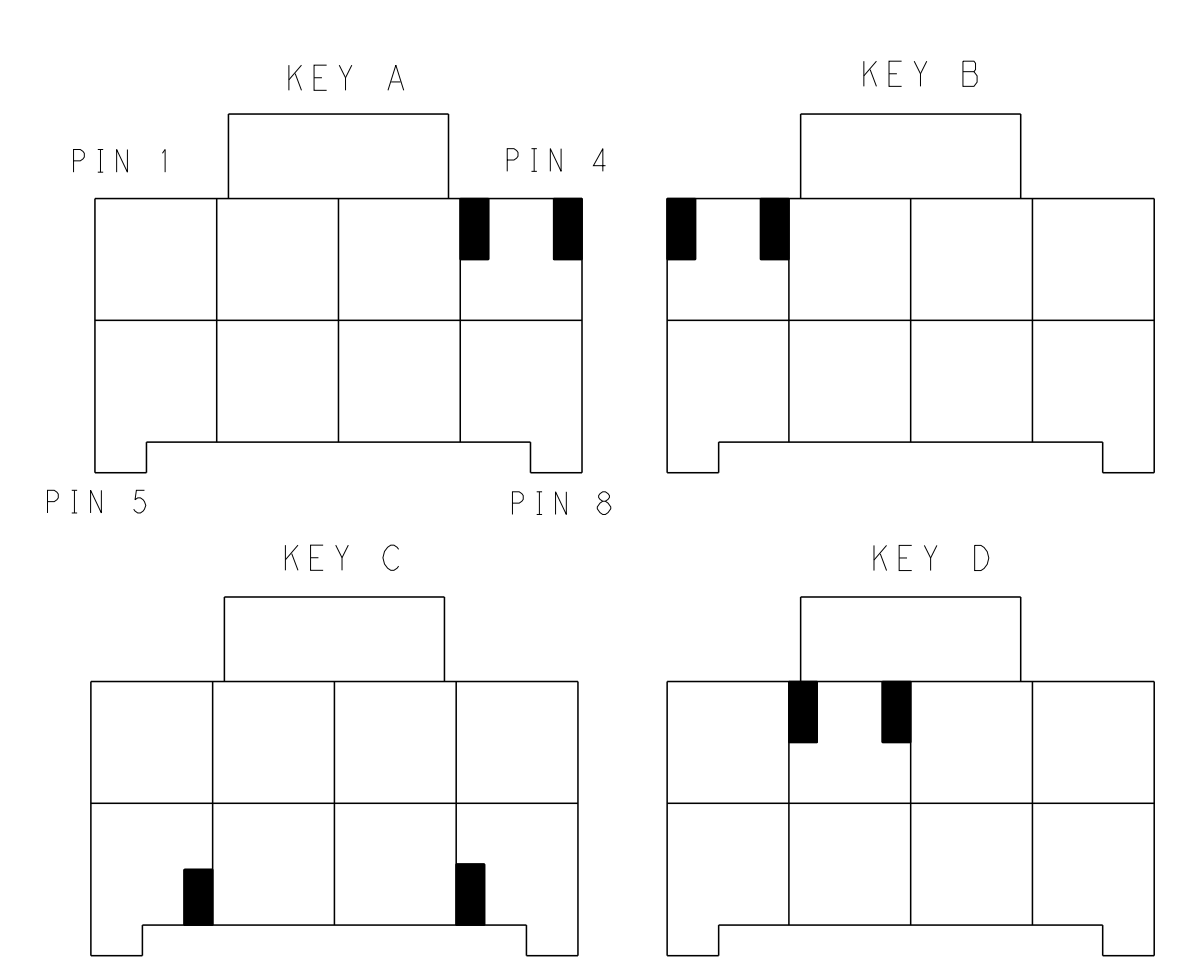
2*4 POSITIONS



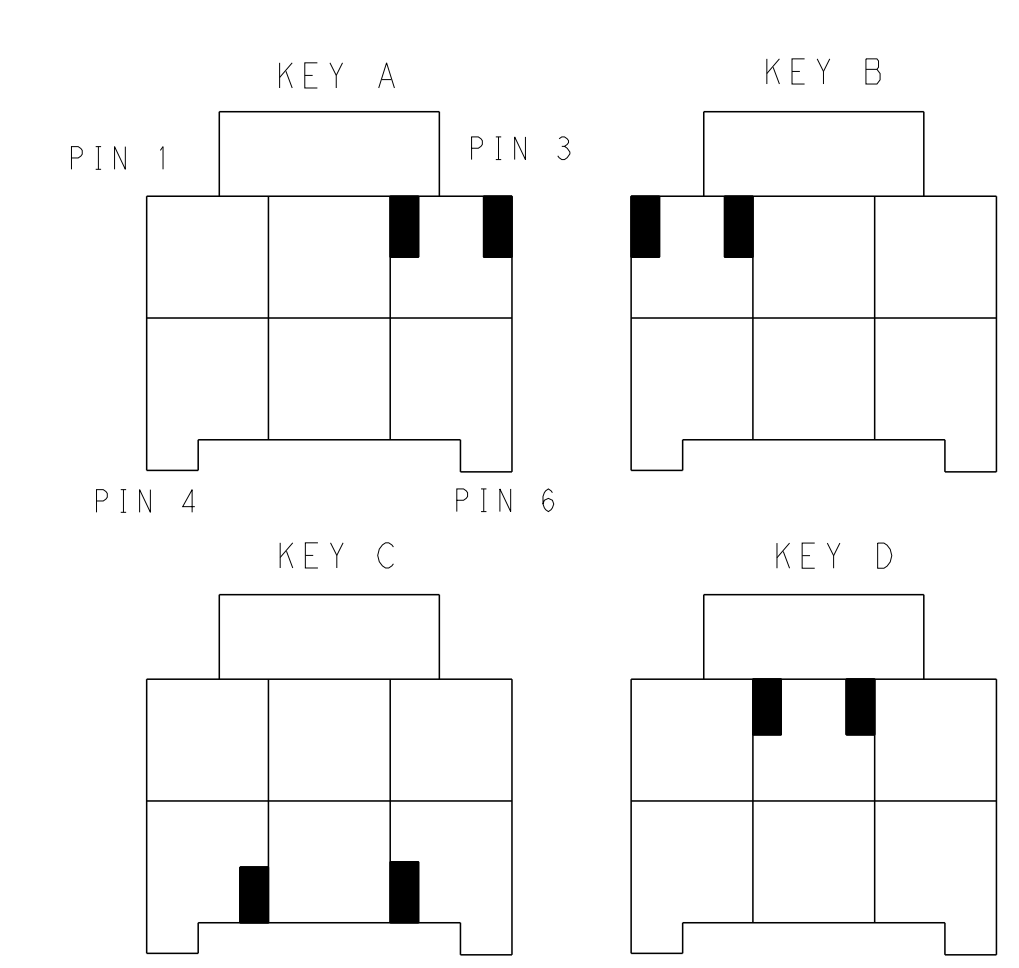
2*3 POSITIONS



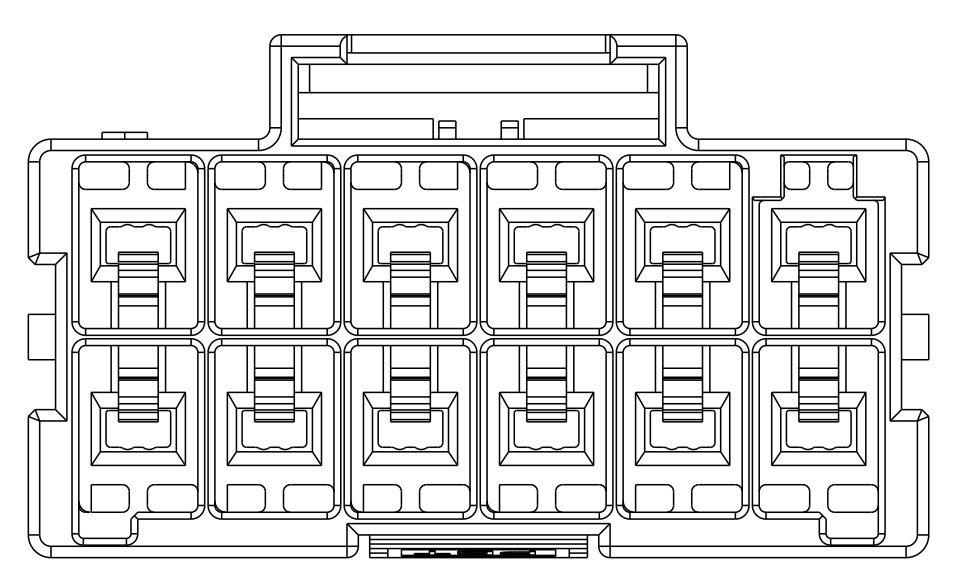
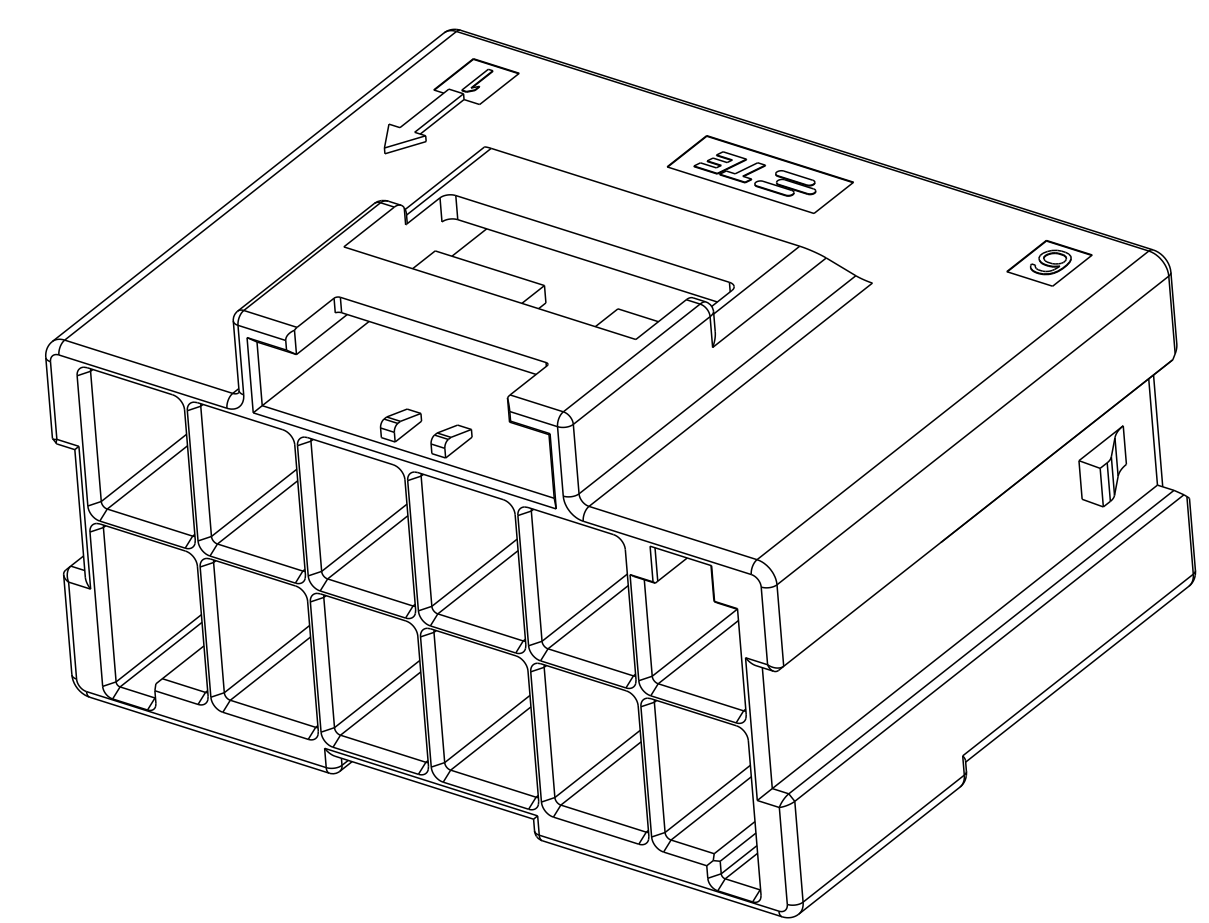
KEYING FOR 2*5 POS.



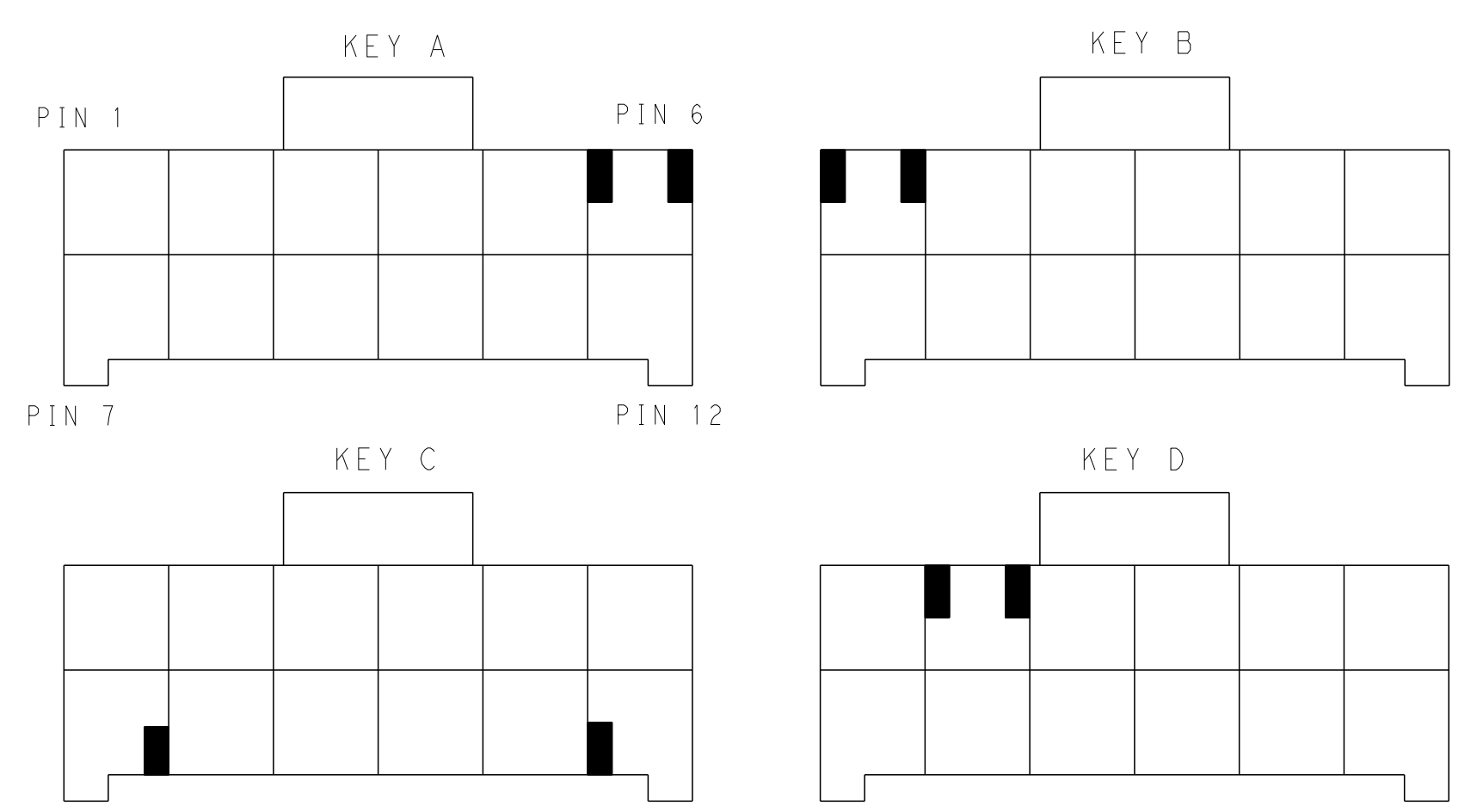
KEYING FOR 2*4 POS.



KEYING FOR 2*3 POS.



2*6 POSITIONS



KEYING FOR 2*6 POS.

| POS. | MATERIAL | KEY | P/N |
|------|----------|-------|-------------|
| 2*6 | LEVEL 1 | KEY A | 1-1971774-6 |
| | | KEY B | 2-1971774-6 |
| | | KEY C | 3-1971774-6 |
| | | KEY D | 4-1971774-6 |
| 2*6 | LEVEL 2 | KEY A | 5-1971774-6 |
| | | KEY B | 6-1971774-6 |
| | | KEY C | 7-1971774-6 |
| | | KEY D | 8-1971774-6 |
| 2*5 | LEVEL 1 | KEY A | 1-1971774-5 |
| | | KEY B | 2-1971774-5 |
| | | KEY C | 3-1971774-5 |
| | | KEY D | 4-1971774-5 |
| 2*5 | LEVEL 2 | KEY A | 5-1971774-5 |
| | | KEY B | 6-1971774-5 |
| | | KEY C | 7-1971774-5 |
| | | KEY D | 8-1971774-5 |

| POS. | MATERIAL | KEY | P/N |
|------|----------|-------|-------------|
| 2*4 | LEVEL 1 | KEY A | 1-1971774-4 |
| | | KEY B | 2-1971774-4 |
| | | KEY C | 3-1971774-4 |
| | | KEY D | 4-1971774-4 |
| 2*4 | LEVEL 2 | KEY A | 5-1971774-4 |
| | | KEY B | 6-1971774-4 |
| | | KEY C | 7-1971774-4 |
| | | KEY D | 8-1971774-4 |
| 2*3 | LEVEL 1 | KEY A | 1-1971774-3 |
| | | KEY B | 2-1971774-3 |
| | | KEY C | 3-1971774-3 |
| | | KEY D | 4-1971774-3 |
| 2*3 | LEVEL 2 | KEY A | 5-1971774-3 |
| | | KEY B | 6-1971774-3 |
| | | KEY C | 7-1971774-3 |
| | | KEY D | 8-1971774-3 |

THIS DRAWING IS A CONTROLLED DOCUMENT. DWN: TOMMY_WU 09JUL2012
 CHK: HAPYE_WU 09JUL2012
 APVD: YUHONG_MAO 09JUL2012

STE TE Connectivity

NAME: CAP HOUSING, FREE HANGING, DOUBLE ROW POWER TRIPLE LOCK

PRODUCT SPEC: 108-106118
 APPLICATION SPEC: 114-106118

SIZE: A1 CAGE CODE: 00779 DRAWING NO: 1971774
 RESTRICTED TO: -

MATERIAL: - FINISH: - WEIGHT: -
 Customer Drawing SCALE: - SHEET 2 OF 2 REV C