

## NX3225SC

For Automotive

### ■ Features

A small surface-mount type crystal unit, ideal for the special requirements of automotive, such as TPMS (Tire Pressure Monitoring System). The crystal unit is ideally suited for the clock signal generating source of the transmission unit in a tire wheel that is subject to strong centrifugal force.

- Compact and thin. (3.2 x 2.5 x 0.6 mm typ.)
- Stable frequency characteristics even with a powerful centrifugal force of 2,000 G, as found in the transmission side of TPMS applications.
- High resistance to solder cracking.
- Excellent environmental characteristics, including heat, vibration and shock resistance.
- Lead-free. Meets the requirements for re-flow profiling using lead-free solder.
- Conforms to AEC-Q200.



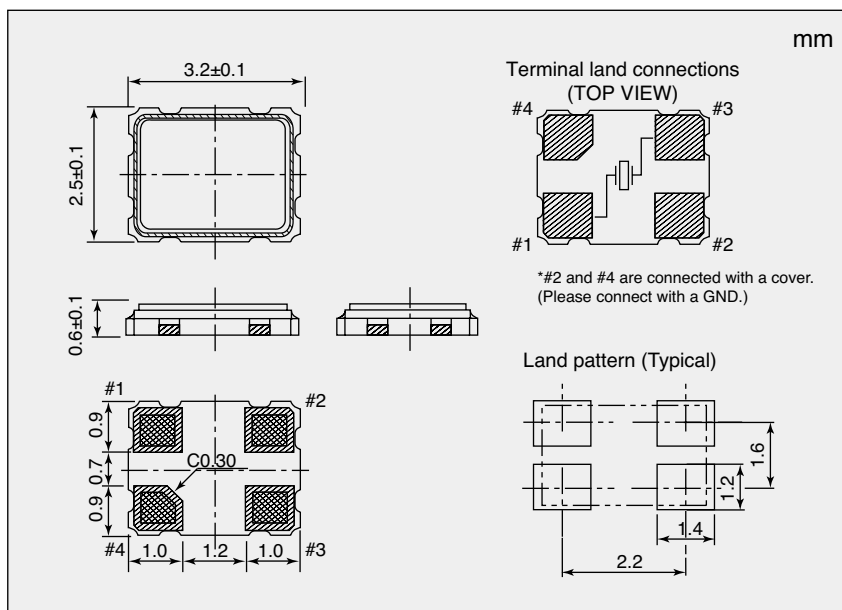
Pb Free

RoHS Compliant  
Directive 2011/65/EU

### ■ Specifications

Item	Model	NX3225SC
Nominal Frequency		9.8433 to 50 MHz
Overtone Order		Fundamental
Frequency Tolerance (25 ±3 °C)		±15 × 10 <sup>-6</sup>
Frequency versus Temperature Characteristics (with reference to +25 °C)		±50 × 10 <sup>-6</sup>
Operating Temperature Range		-40 to +125 °C
Storage Temperature Range		-40 to +125 °C
Equivalent Series Resistance		Refer to *1
Level of Drive		10 μW (Max. 200 μW)
Load Capacitance		8 pF
Specifications Number		STD-CRS-1

### ■ Dimensions



\*1 Equivalent Series Resistance

Nominal frequency (MHz)	Equivalent Series Resistance max. [Ω]
9.8433 to 12	300
12 to 20	120
20 to 50	100

Please specify the model name, frequency, and specification number when you order products. For further questions regarding specifications, please feel free to contact us.