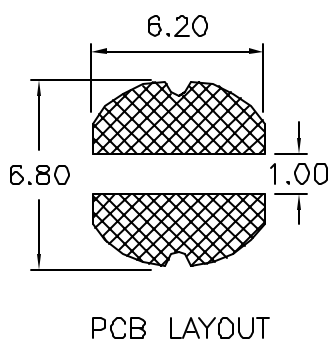
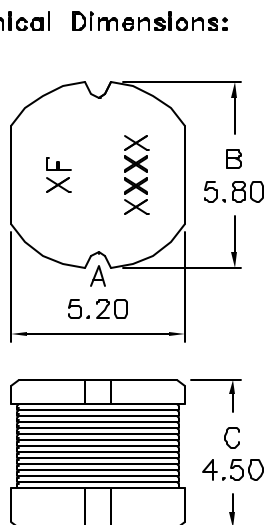


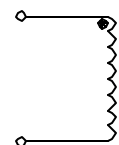
SMT POWER INDUCTORS

- * LOW PROFILE SMD TYPE FOR HIGH CURRENT APPLICATION
- * TAPE AND REEL PACKAGING FOR HIGH VOLUME MANUFACTURING
1600 PCS PER 13" REEL
- * FOR DC/DC CONVERTERS, DC/AC INVERTERS, VRM APPLICATIONS
- * TEMP. RISE; 30°C TYPICAL ABOVE 60°C AMBIENT
- * OPERATING TEMP.: -40°C TO +85°C

Mechanical Dimensions:



Schematic:



TOLERANCE:
 .xx ±0.30
 Dimensions in mm

Part Number	INDUCTANCE (μ H)	TEST FREQ. KHz	RDC Ohms Max	IDC A Max
XFSDR54-100□	10.00	100	0.100	1.44
XFSDR54-120□	12.00	100	0.120	1.40
XFSDR54-150□	15.00	100	0.140	1.30
XFSDR54-180□	18.00	100	0.150	1.23
XFSDR54-220□	22.00	100	0.180	1.11
XFSDR54-270□	27.00	100	0.200	0.97
XFSDR54-330□	33.00	100	0.230	0.88
XFSDR54-390□	39.00	100	0.320	0.80
XFSDR54-470□	47.00	100	0.370	0.72
XFSDR54-560□	56.00	100	0.420	0.68
XFSDR54-680□	68.00	100	0.460	0.61
XFSDR54-820□	82.00	100	0.600	0.58
XFSDR54-101□	100.00	100	0.700	0.52
XFSDR54-121□	120.00	100	0.930	0.48
XFSDR54-151□	150.00	100	1.100	0.40
XFSDR54-181□	180.00	100	1.380	0.38
XFSDR54-221□	220.00	100	1.570	0.35

1. Open Circuit inductance Test Parameters 100KHz, 0.1V
2. □ Please specify inductance tolerance (K±10%,L±15%,M±20%,N±30%), and need to stamp the tolerance □ end of the P/N in the marking except tolerance M.