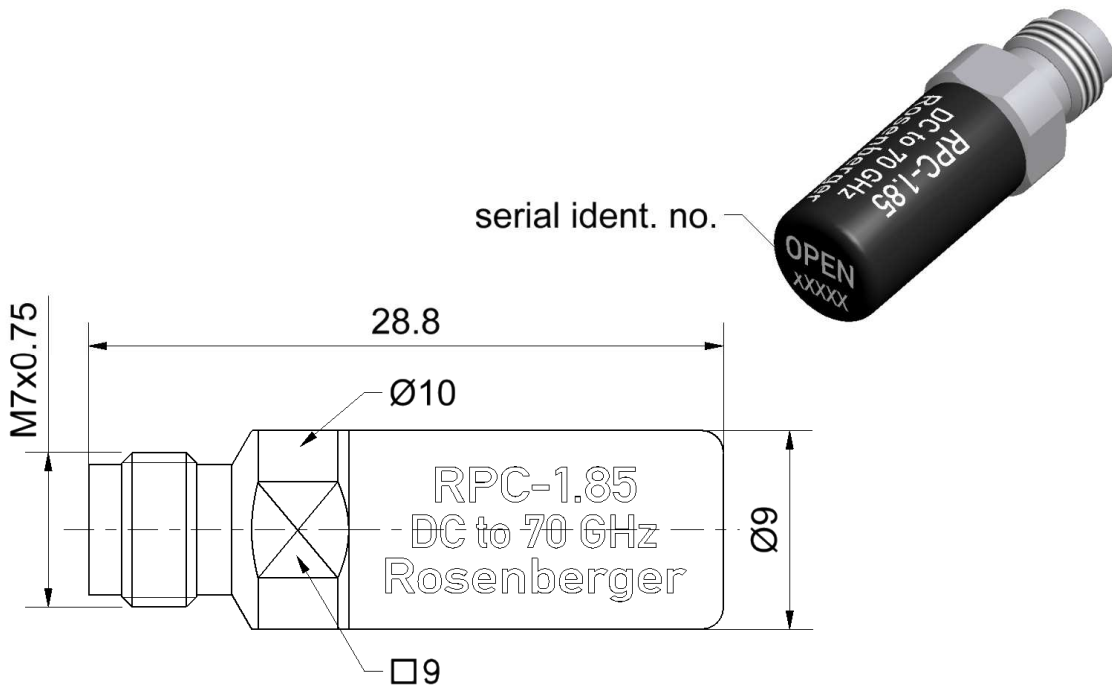


RPC-1.85 Open Circuit Jack

08K12L-000S3



All dimensions are in mm; tolerances according to ISO 2768 m-H

**Interface**

According to IEC 61169-32  
Mechanically compatible with RPC-2.40

**Documents**

Application note AN001 "Calibration Services"

**Material and plating**

**Connector parts**  
Center conductor  
Outer conductor  
Dielectric

<b>Material</b>	<b>Plating</b>
Beryllium copper	Gold, min. 1.27 µm, over nickel
Stainless steel	Passivated
PS	

Dieses Dokument ist urheberrechtlich geschützt • This document is protected by copyright • Rosenberger Hochfrequenztechnik GmbH & Co. KG

RF\_35/05:10/6.0

**Electrical data**

Frequency range	DC to 70 GHz
Return loss	≤ 0.20 dB, DC to 4 GHz
	≤ 0.30 dB, 4 GHz to 40 GHz
	≤ 0.40 dB, 40 GHz to 70 GHz
Error from nominal phase <sup>1</sup>	≤ 2.0°, DC to 4 GHz
	≤ 5.0°, 4 GHz to 40 GHz
	≤ 8.0°, 40 GHz to 70 GHz

<sup>1</sup> The nominal phase is defined by the Offset Delay, the Offset Loss and the Fringing Capacitances

**Mechanical data**

Mating cycles	≥ 500
Maximum torque	1.65 Nm
Recommended torque	0.90 Nm
Gauge	0.00 mm to 0.03 mm

**General standard definition**

For proper operation the vector network analyzer (VNA) needs a model describing the electrical behaviour of this calibration standard. The different models, units, and terms used will depend on the VNA type and they will have to be entered into the VNA. All values are based on typical geometry and plating.

Offset $Z_0$ / Impedance / $Z_0$	50 $\Omega$
Offset Delay	16.680 ps
Length (electrical) / Offset Length	5.00 mm
Offset Loss	3.75 G $\Omega$ /s
Loss	0.0109 dB/ $\sqrt{\text{GHz}}$
Fringing Capacitances <sup>2</sup>	

<sup>2</sup> Fringing Capacitances are determined individually for each Open Circuit and are documented in a Calibration Certificate.

**Environmental data**

Operating temperature range <sup>3</sup>	+20 °C to +26 °C
Rated temperature range of use <sup>4</sup>	0 °C to +50 °C
Storage temperature range	-40 °C to +85 °C

RoHS compliant

<sup>3</sup> Temperature range over which these specifications are valid.

<sup>4</sup> This range is underneath and above the operating temperature range, within the Open Circuit is fully functional and could be used without damage.

<b>Technical Data Sheet</b>		<b>Rosenberger</b>
<b>RPC-1.85</b>	<b>Open Circuit Jack</b>	<b>08K12L-000S3</b>

**Declaration of calibration options**

**Factory Calibration**

Standard delivery for this calibration standard includes a Factory Calibration. The Calibration Certificate issued reports individual calibration results, traceable to national / international standards. Model based standard definitions are individually optimized and reported in an Agilent/Keysight, Rohde & Schwarz and Anritsu compatible VNA format.

**Accredited Calibration**

Not available.

*For further, more detailed information see application note AN001 on the Rosenberger homepage.*

**Calibration interval**

Recommendation 12 months

**Packing**

Standard 1 pce in box  
 Weight 7.3 g/pce

While the information has been carefully compiled to the best of our knowledge, nothing is intended as representation or warranty on our part and no statement herein shall be construed as recommendation to infringe existing patents. In the effort to improve our products, we reserve the right to make changes judged to be necessary.

Draft	Date	Approved	Date	Rev.	Engineering change number	Name	Date
Herbert Babinger	26.08.04	Martin Moder	24.03.15	f00	14-1492	Herbert Babinger	24.03.15
Rosenberger Hochfrequenztechnik GmbH & Co. KG P.O.Box 1260 D-84526 Tittmoning Germany <a href="http://www.rosenberger.de">www.rosenberger.de</a>					Tel. : +49 8684 18-0 Fax : +49 8684 18-499 Email : <a href="mailto:info@rosenberger.de">info@rosenberger.de</a>		Page 3 / 3