



Micro Commercial Components

## *Micro Commercial Components Corp.*

### Products End of Life Notification

Issue date: Sept-1<sup>st</sup>-2009

EOL No#: 122209-K

Last Buy Date :N/A

Description and Purpose:

MCC has undergone a review of its core business and products , and

determined to discontinue below products:

Discontinued Devices	Possible Replacements
MC7915CT	N/A



Micro Commercial Components

Micro Commercial Components  
 20736 Marilla Street Chatsworth  
 CA 91311  
 Phone: (818) 701-4933  
 Fax: (818) 701-4939

# MC7915CT

## Three-Terminal Negative Voltage Regulators

### Features

- Output current in excess of 1.0 Ampere
- No external components required
- Internal thermal overload protection
- Internal short-circuit current limiting
- Output voltage offered in 2% tolerance
- Case Material: Molded Plastic. UL Flammability Classification Rating 94V-0

### Maximum Ratings @ T<sub>A</sub>=25°C, Unless Otherwise Noted

Parameter	Symbol	Value	Unit
Input Voltage	V <sub>i</sub>	-35	V
Operating Ambient Temperature	P <sub>D</sub>	15	W
Operating Junction Temperature	T <sub>OPR</sub>	0----+150	°C
Storage Temperature Range	T <sub>STG</sub>	-55----+150	°C

### TO-220

PIN 1. GND  
 PIN 2. INPUT  
 PIN 3. OUTPUT

DIMENSIONS					
DIM	INCHES		MM		NOTE
	MIN	MAX	MIN	MAX	
A	.560	.625	14.22	15.88	
B	.380	.420	9.65	10.67	
C	.100	.135	2.54	3.43	
D	.230	.270	5.84	6.86	
E	.380	.420	9.65	10.67	
F	-----	.250	-----	6.35	
G	.500	.580	12.70	14.73	
H	.090	.110	2.29	2.79	
I	.020	.045	0.51	1.14	
J	.012	.025	0.30	0.64	
K	.139	.161	3.53	4.09	∅
L	.140	.190	3.56	4.83	
M	.045	.055	1.14	1.40	
N	.080	.115	2.03	2.92	

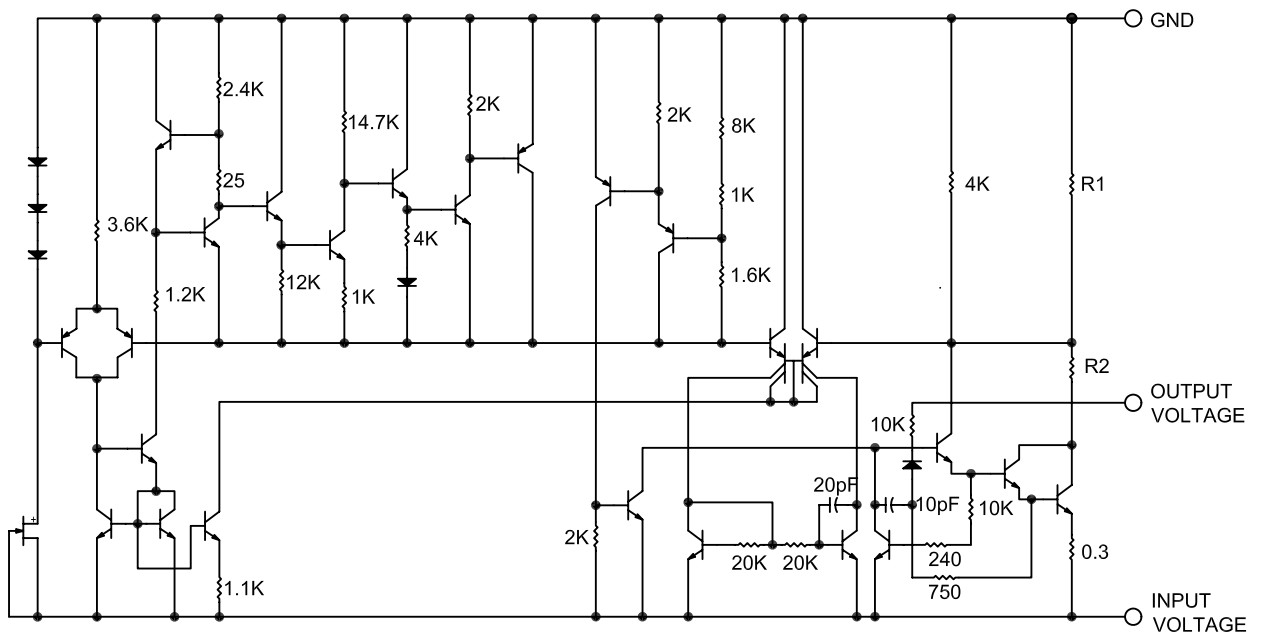
# MC7915CT

**Electrical Characteristics (Vi=23V, Io=500mA, 0°C<Tj<125°C, Ci=2.0uF, Co=1.0uF, Unless Otherwise Specified)**

Parameter	Sym	Min	Typ	Max	Test conditions
Output Voltage	Vo	-14.7V	-15.0V	-15.3V	Tj=25°C
		-14.55V		15.45V	-17.5V ≤ V1 ≤ -30V, 5mA ≤ Io ≤ 1.0A, Pd=15W
Load Regulation	ΔVo		12mV	300mV	5mA ≤ Io ≤ 1.5A, Tj=25°C,
			4.0mV	150mV	250mA ≤ Io ≤ 750mA, Tj=25°C
Line regulation	ΔVo		11mV 3.0mV	300mV 150mV	-17.5V ≤ V1 ≤ -30V, Tj=25°C -16V ≤ V1 ≤ -22V, Tj=25°C
Quiescent Current	Iq		2.5mA	5.0mA	Tj=25°C, Io=0
Quiescent Current Change	ΔIq			1.0mA 0.5mA	-17.5V ≤ V1 ≤ -30V 5mA ≤ Io ≤ 1.0A
Output Noise Voltage	VN		90μV		10Hz ≤ f ≤ 100KHz Tj=25°C
Ripple Rejection	RR	54dB	69dB		f=120Hz
Dropout Voltage	Vd		1.1V		Io=1.0A, Tj=25°C
Peak Output Current	Iopeak		2.1A		Tj=25°C
Temperature Coefficient of Output voltage	ΔVo/ΔTj			-0.9mV/°C	0°C ≤ Tj ≤ 125°C, Io=5mA

# MC7915CT

## Representation Schematic Diagram





Micro Commercial Components

## Ordering Information

Device (Part Number)-BP	Packing Bulk;1Kpcs/Box
----------------------------	---------------------------

**\*\*\*IMPORTANT NOTICE\*\*\***

*Micro Commercial Components Corp* . reserves the right to make changes without further notice to any product herein to make corrections, modifications , enhancements , improvements , or other changes .  
*Micro Commercial Components Corp* . does not assume any liability arising out of the application or use of any product described herein; neither does it convey any license under its patent rights ,nor the rights of others . The user of products in such applications shall assume all risks of such use and will agree to hold *Micro Commercial Components Corp* . and all the companies whose products are represented on our website, harmless against all damages.

**\*\*\*APPLICATIONS DISCLAIMER\*\*\***

Products offer by *Micro Commercial Components Corp* . are not intended for use in Medical, Aerospace or Military Applications.

---

[www.mccsemi.com](http://www.mccsemi.com)