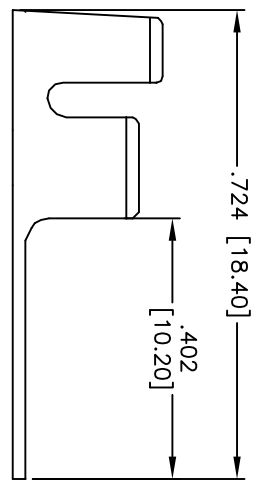
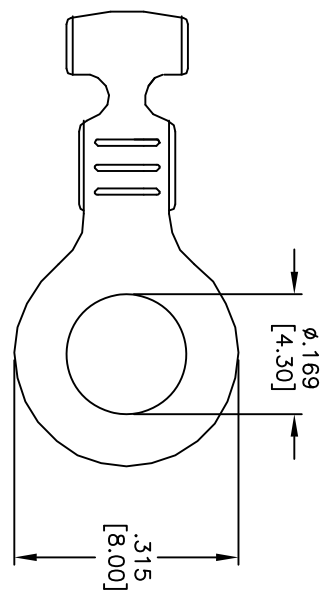


Rev	AWO #	Description	Date	Appr
-		RELEASED	7/13/11	

APPROVED: _____
 DATE: _____ TITLE: _____



ADAM TECH

909 Rahway Avenue, Union, NJ 07083
 Phone: 908-687-5000 Fax: 908-687-5710

TITLE: .169" RING TERMINAL, NON INSULATED

UNLESS OTHERWISE SPECIFIED ALL DIMENSIONS ARE INCHES [MM]	
TOLERANCES: EXCEPT AS NOTED	
INCHES	HOLDS
.X ± .10	ØXX ± .10
.XX ± .020	ØXXX ± .015
.XXX ± .015	ØXXXX ± .010
APPROVALS	DATE
DRAWN DY	7/13/11
CHECKED	
APPROVED	

SIZE	PART NO.	REV.
X	SRT-.169,315-20/16-T-A	-
REF: S00123T	SCALE: NTS	SHEET 1 OF 1



SPECIFICATIONS:
 Terminal: Brass, Tin plated
 Wire Range: AWG#16~20
 Thickness: 0.5mm
 Environmental:
 Lead free, RoHS compliant.