

80mm sq.

San Ace 80

15mm thick (GA type), 15mm thick, 20mm thick (GA type)
 20mm thick, 25mm thick (GA type), 25mm thick (S type)
 25mm thick (GV type), 25mm thick
 25mm thick (San Cooler), 32mm thick (GA type)
 32mm thick, 38mm thick (HV type), **38mm thick (GA type)**
 38mm thick (GV type), 38mm thick (G type)



General Specifications

- Material Frame: Plastics (Flammability: UL94V-0),
Impeller: Plastics (Flammability: UL94V-0)
- Expected Life Refer to specifications (L10: Survival rate: 90% at 60°C ,
rated voltage, and continuously run in a free air state)
- Lead Wire ⊕red ⊖black (Sensor) yellow (Control) brown
- Storage Temperature -30°C to +70°C (Non-condensing)

80×80×38mm (Mass : 160g) **GA type** **Low Power Consumption Fan**



Specifications

The following nos. **have PWM controls, pulse sensors, and ribs.** For ribless, append "1" to the model no.

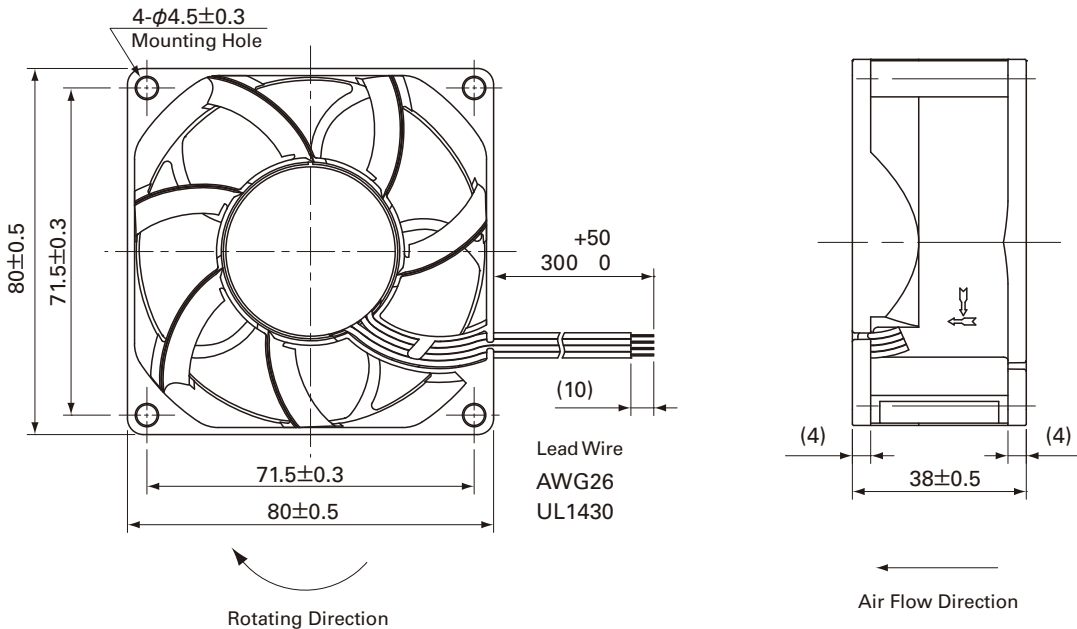
Model No.	Rated Voltage [V]	Operating Voltage Range [V]	PWM duty cycle* [%]	Rated Current [A]	Rated Input [W]	Rated Speed [min ⁻¹]	Max. Air Flow [m ³ /min] [CFM]	Max. Static Pressure [Pa] [inchH ₂ O]	SPL [dB(A)]	Operating Temperature [°C]	Expected Life ^{nom} [h]
9GA0812P1G61	12	10.8 to 13.2	100	1.2	14.4	10,500	2.85 100.6	480 1.92	60	-20 to +70	40,000/60°C (70,000/40°C)
			0	0.04	0.48	2,000	0.51 18.0	28.7 0.11	21		
100			0.94	11.28	9,550	2.6 91.8	480 1.93	59			
0			0.1	1.2	2,900	0.74 26.1	60 0.24	27			
9GA0812P1S61	12	10.8 to 13.2	100	0.6	7.2	8,250	2.25 79.4	380 1.53	55		
			0	0.08	0.96	2,500	0.64 22.6	45 0.18	24		
100			0.47	11.28	9,550	2.6 91.8	480 1.93	59			
0			0.06	1.44	2,900	0.74 26.1	60 0.24	27			
9GA0812P1H61	12	10.8 to 13.2	100	0.3	7.2	8,250	2.25 79.4	380 1.53	55		
			0	0.05	1.2	2,500	0.64 22.6	45 0.18	24		
9GA0824P1S61			24	20.4 to 27.6	100	0.47	11.28	9,550	2.6 91.8	480 1.93	59
					0	0.06	1.44	2,900	0.74 26.1	60 0.24	27
100	0.3	7.2			8,250	2.25 79.4	380 1.53	55			
0	0.05	1.2			2,500	0.64 22.6	45 0.18	24			

Note: Expected life at 40°C ambient is just reference value.

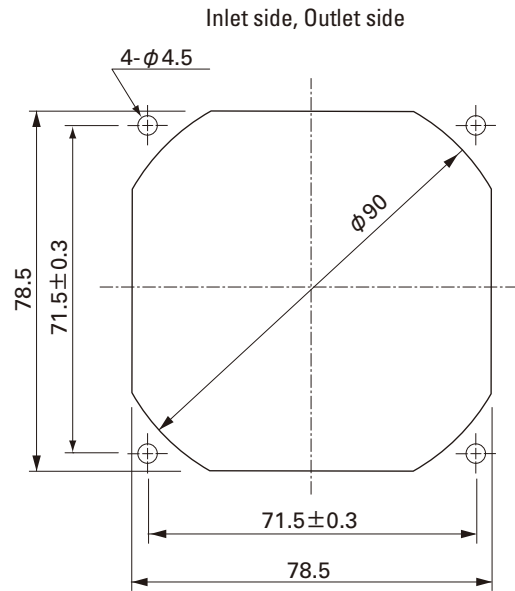
※PWM Frequency : 25kHz

Available options: ⇒ **Without Sensor** **Pulse Sensor**

Dimensions (Unit : mm) (With ribs)



Reference dimension of mounting holes and vent opening (Unit : mm)

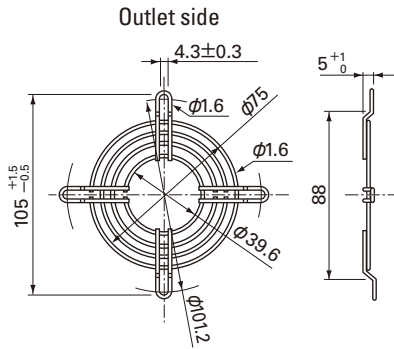


Options (Unit : mm)

Finger guards

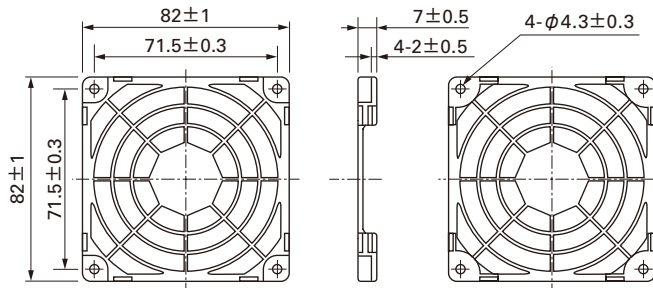
Model : 109-049C Surface treatment : Nickel-chrome plating (silver)

Color



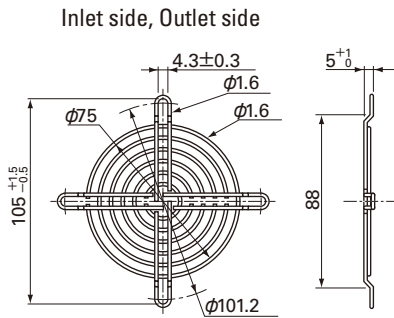
Resin finger guards

Model : 109-1002G



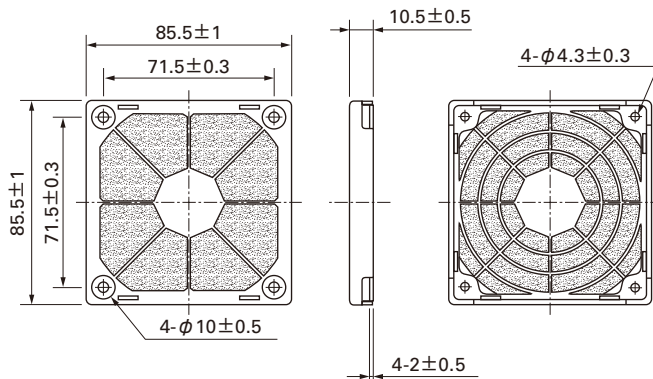
Model : 109-049E Surface treatment : Nickel-chrome plating (silver)
: 109-049H : Cation electropainting (black)

Color



Resin filter kits

Model : 109-1002F13 (13PPI), 109-1002F20 (20PPI)
: 109-1002F30 (30PPI), 109-1002F40 (40PPI)



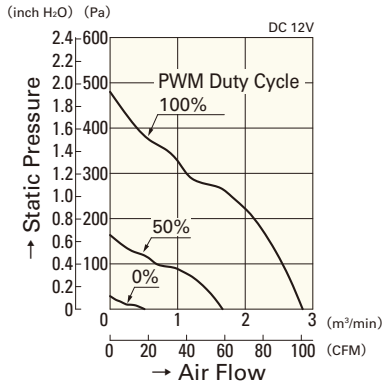
80 mm sq.

San Ace 80

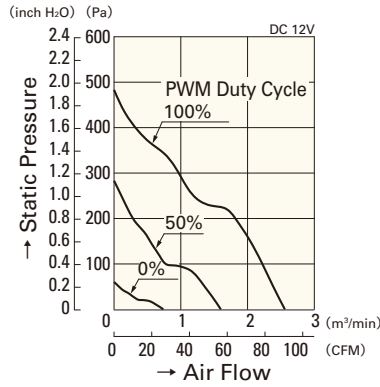
80×80×38mm [Mass : 160g]

Air Flow - Static Pressure Characteristics

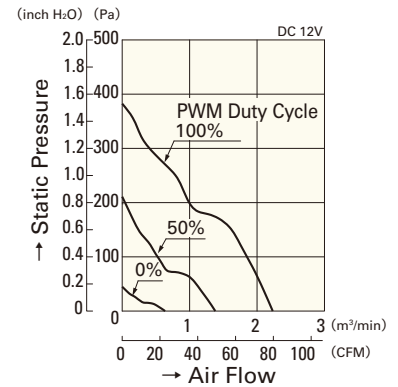
PWM Duty Cycle



9GA0812P1G61

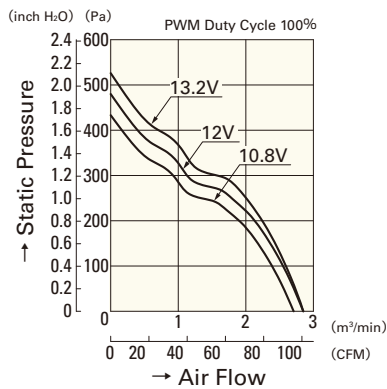


9GA0812P1S61

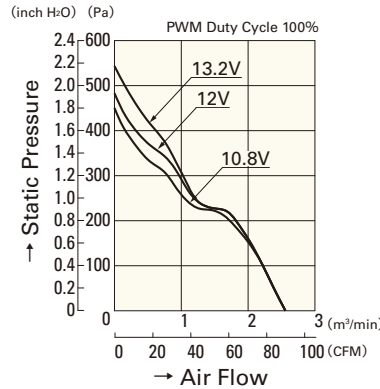


9GA0812P1H61

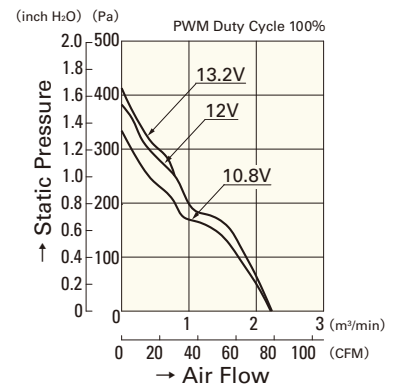
Operating Voltage Range



9GA0812P1G61

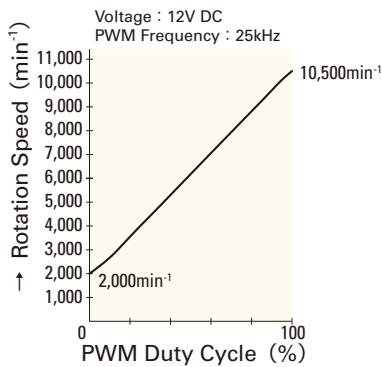


9GA0812P1S61

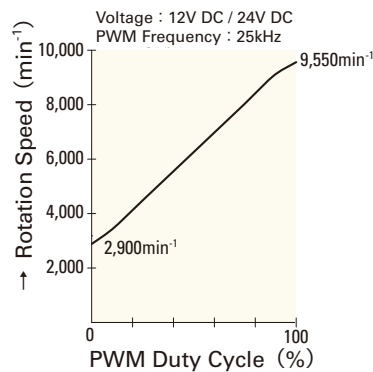


9GA0812P1H61

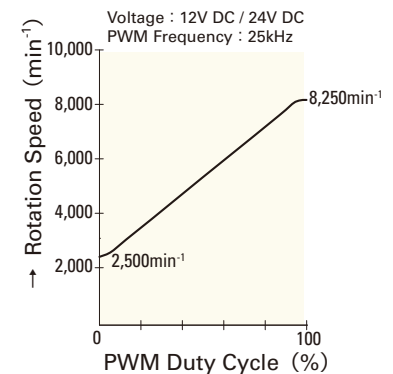
PWM Duty - Speed Characteristics Example



9GA0812P1G61



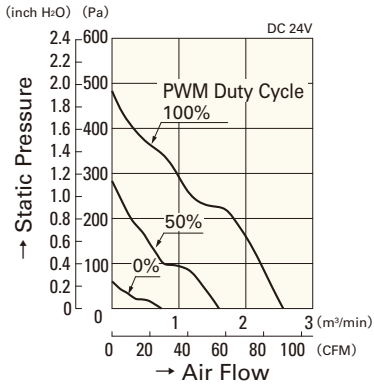
9GA0812P1S61



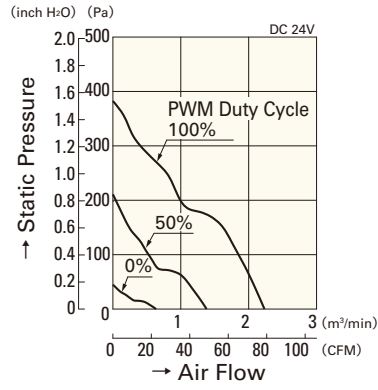
9GA0812P1H61

9GA0824P1S61

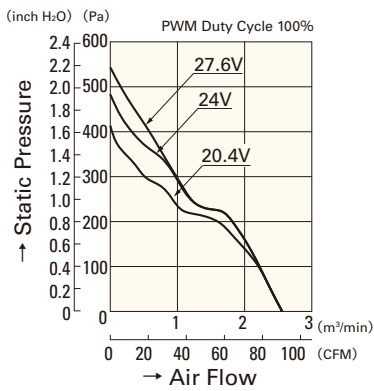
9GA0824P1H61



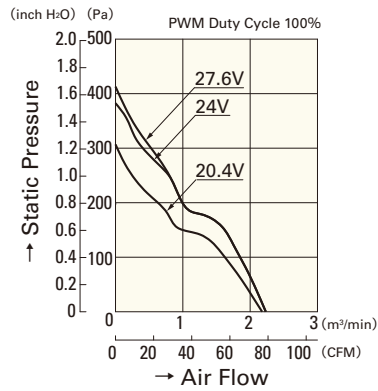
9GA0824P1S61



9GA0824P1H61



9GA0824P1S61



9GA0824P1H61