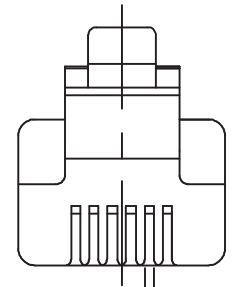
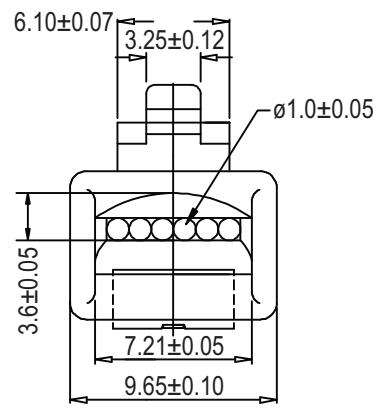
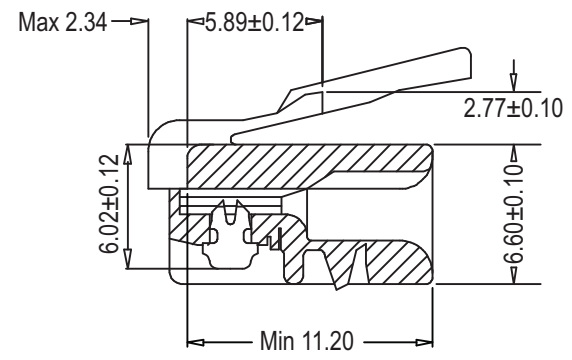


0.51±0.05

MP6P6C R



0.56±0.05



Material:

- Housing: Polycarbonate UL94V2
- Contact Blade: High Strength Copper Alloy
- 100 Micron Nickel underplated
- Plating type: 8% Phosphor Bronze
- Plating Thickness: 6µ" Gold plated
- Operating Temperature: -40°C ~ 125°C

Electrical:

- Current Rating: 250V AC / Max @2.0A
- Dielectric: 500V AC
- Insulation Resistance: 500MΩ

Complies with FCC68/F

Unit: MM



Scale	1:1								Name
TOLERANCE						Drawn	12.19.11	Chappell	Item No. A-MO-6/6-SR-R Title Modular Cable Plug - 6P6C, Round cable, Unshielded Drawing No. rev00
X.X	±0.40					Approved			
X.XX	±0.25								
X.XXX	±0.15								
Angle	±3°								
				Modification	Date	Name			Replace
									Sheet