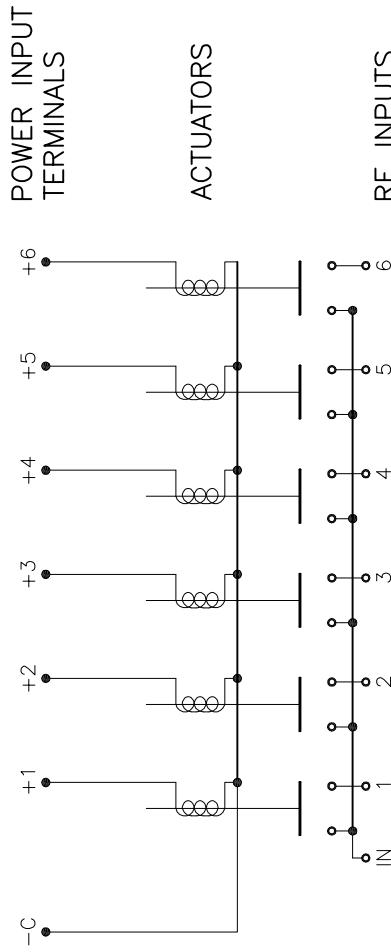


PE71S6075 CAD Drawing

SP6T Electromechanical Relay Switch DC to 18 GHz, SMA,
240 Watts, 28V Control with Normally Open

Voltage	RF Continuity
- C + 1	IN ↔ 1
- C + 2	IN ↔ 2
- C + 3	IN ↔ 3
- C + 4	IN ↔ 4
- C + 5	IN ↔ 5
- C + 6	IN ↔ 6

SCHEMATIC DIAGRAM



DWG TITLE

PE71S6075

NOTES:
1. UNLESS OTHERWISE SPECIFIED ALL DIMENSIONS ARE NOMINAL.
2. ALL SPECIFICATIONS ARE SUBJECT TO CHANGE WITHOUT NOTICE AT ANY TIME.
3. DIMENSIONS ARE IN INCHES [mm].

P**E** **PASTERNAK**
THE ENGINEER'S RF SOURCE
Pasternack Enterprises, Inc.
P.O. Box 16759 | Irvine | CA | 92623
Phone: (949) 261-1920 | Fax: (949) 261-7451
Website: www.pasternack.com | E-Mail: sales@pasternack.com

FSCM NO. 53919

CAD FILE 120114

SCALE N/A

SIZE A

150