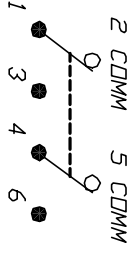
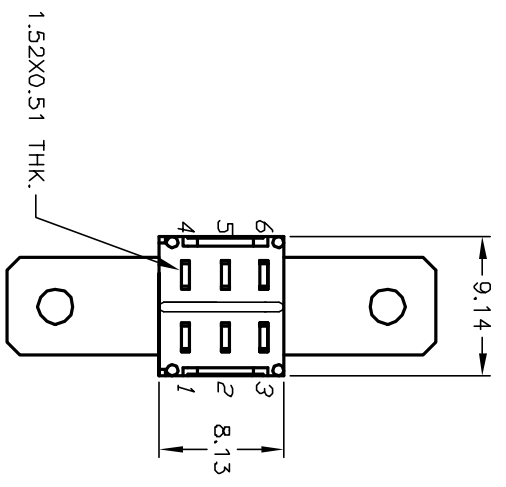
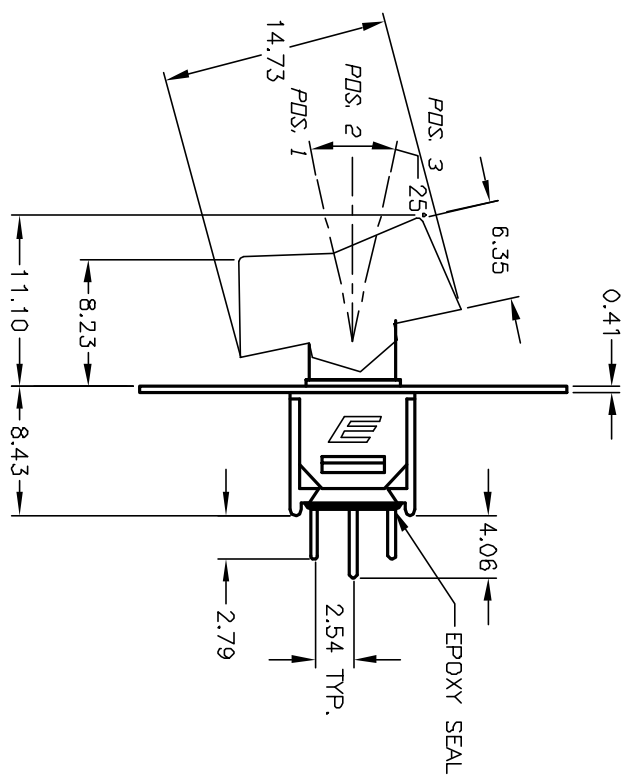
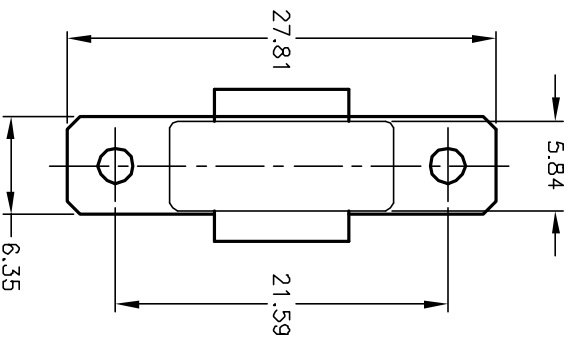


RECOMMEND PANEL MOUNTING



CONTACT CONFIGURATION

SWITCH FUNCTION		
POS. 1	POS. 2	POS. 3
DN	OFF	DN
2-3,5-6	OPEN	2-1,5-4



- NOTES:
1. ALL DIMENSIONS IN MM
 2. GENERAL TOLERANCE: X.X=±0.4
X.XX=±0.25
 3. TERM. NOS. FOR REFERENCE ONLY.
 4. RATING: 3 Amps @120 VAC or 28 VDC; 1 Amp @250 VAC.

REV.		ECN No.		DESCRIPTION		DATE		CHKD		TITLE		SCALE		DATE		DR		DWG		REV	
A		12972		RELEASED FOR PRODUCTION		3/28/03		AR		400MDP3R6 WHTM1Q		2:1		3/28/03		AR		T427001		A	
<p>THE INFORMATION CONTAINED IN THIS DOCUMENT IS PROPRIETARY TO E-SWITCH AND IS NOT TO BE COPIED OR TRANSFERRED</p>																					
<h1>E-SWITCH®</h1>																					