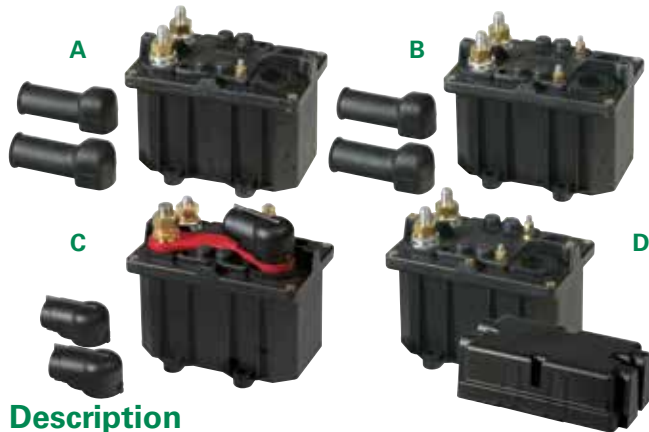


## 08094400 & 08094960 BATTERY DISCONNECT SWITCHES

250A • SPST • IP65-IPX7 • M10/M12 Studs • Electrical remote control



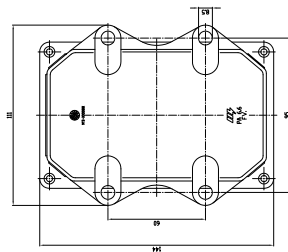
### Description

The single pole remote control current isolating switches described in this datasheet section are different in size, shape and working principle. Remote control current isolating switches are encased in a plastic housing, and are turned on or off with the ignition key or a remote control; with a minimum absorption of current. The range of versions available - negative disconnection and positive disconnection both at 12V and 24V. In this category we also find a range of models where unlike as in traditional current isolating switches the coil is fed separately and disconnects either the negative or the positive pole.

### Features/Benefits

- 250A continuous current rating
- Waterproof IP65/IPX7

### Mounting Diagram



### Ordering Information

PART NUMBER	VOLTAGE	AMPERAGE	CIRCUITRY	MOUNTING	INGRESS	TERMINAL NUTS	IMAGE	DIAGRAM	NOTES
08094400	24V DC	250A	SPST	Bolt-down	IP65-IPX7	M10 Tin-plated brass	A	2	— disconnection
08094500	24V DC	250A	SPST	Bolt-Down	IP65-IPX7	M10 Tin-plated brass	A	3	+ disconnection
08094461	24V DC	250A	SPST	Bolt-Down	IP65-IPX7	M10-M12 Tin-plated brass	A	2	— disconnection
08094561	24V DC	250A	SPST	Bolt-Down	IP65-IPX7	M10 Tin-plated brass	A	3	+ disconnection protection cover
08094600	12V DC	250A	SPST	Bolt-Down	IP65-IPX7	M10 Tin-plated brass	A	2	— disconnection
08094700	12V DC	250A	SPST	Bolt-Down	IP65-IPX7	M10 Tin-plated brass	A	3	+ disconnection
08094563	24V DC	250A	SPST	Bolt-Down	IP65-IPX7	M10-M12 Tin-plated brass	A	3	+ disconnection
08094800	24V DC	250A	SPST	Bolt-Down	IP65-IPX7	M10 Tin-plated brass	B	1	± disconnection separate coil feeding
08094900	12V DC	250A	SPST	Bolt-Down	IP65-IPX7	M10 Tin-plated brass	B	1	± disconnection separate coil feeding
08094860	24V DC	250A	SPST	Bolt-Down	IP65-IPX7	M10 Tin-plated brass	D	1	± disconnection separate coil and cover
08094960	12V DC	250A	SPST	Bolt-Down	IP65-IPX7	M10 Tin-plated brass	D	1	± disconnection separate coil and cover
08094562	24V DC	250A	SPST	Bolt-Down	IP65-IPX7	M10-M12 Tin-plated brass	C	4	+ disconnection double power connection

### Specifications

<b>Max Operating Voltage:</b>	12V DC 24V DC
<b>Max Continuous Current:</b>	250A
<b>Intermittent Current:</b>	2500A at 3 sec
<b>Operating Temp:</b>	-40 °C to +85 °C
<b>Ingress Protection:</b>	IP65/IPX7
<b>Contacts:</b>	Tin-plated Brass Copper
<b>Terminals:</b>	M10 - M12 (brass)

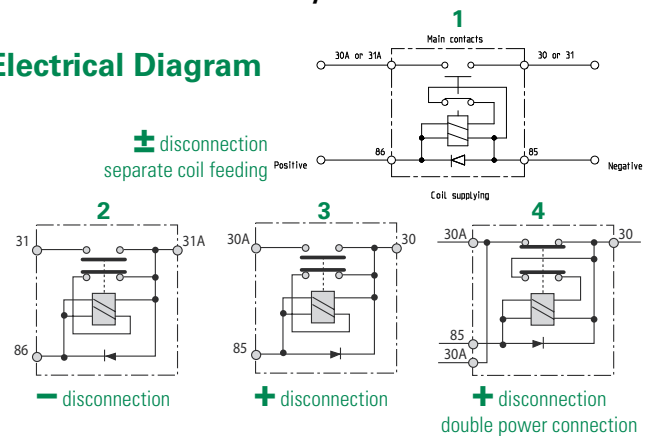
### Applications

- Heavy trucks
- Buses
- Construction
- Commercial vehicles
- Agricultural
- Material Handling

### Web Resources

Download 2D print and technical resources at:  
[littelfuse.com/ManualBatterySwitches](http://littelfuse.com/ManualBatterySwitches)

### Electrical Diagram

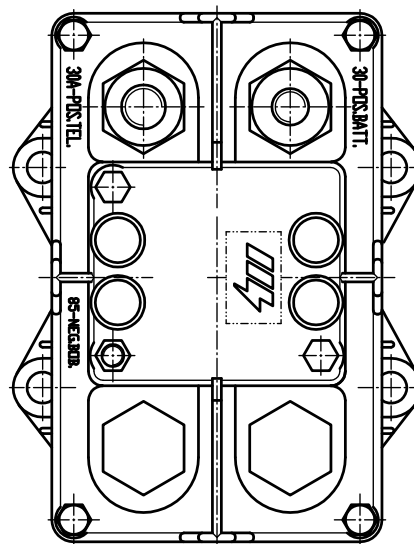
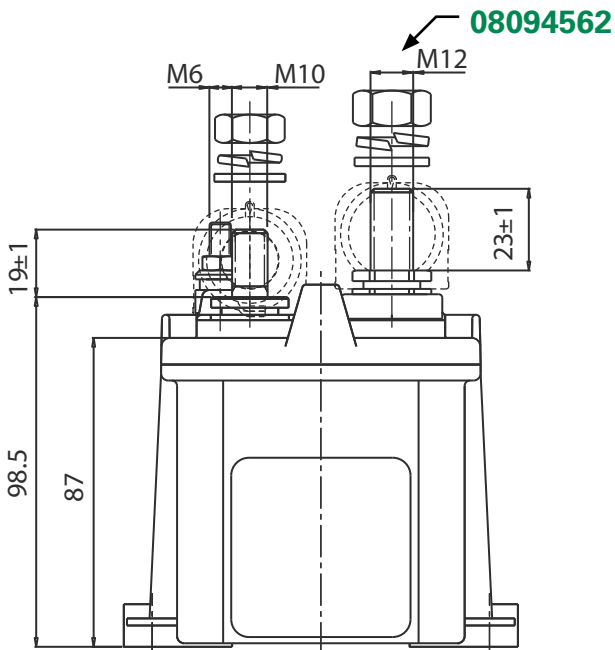
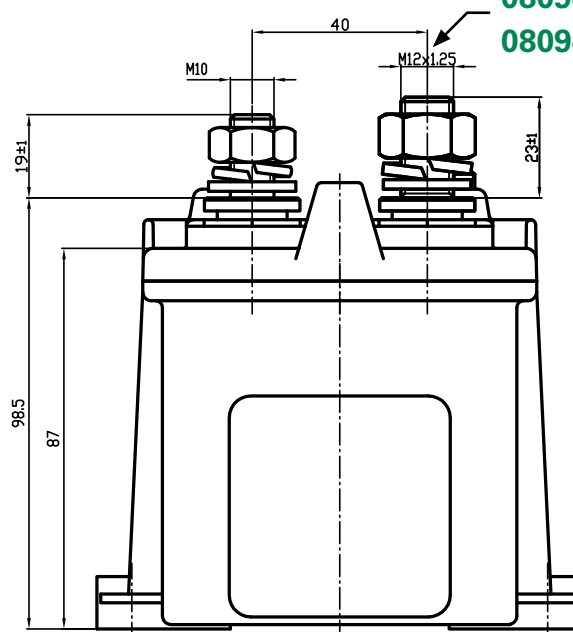
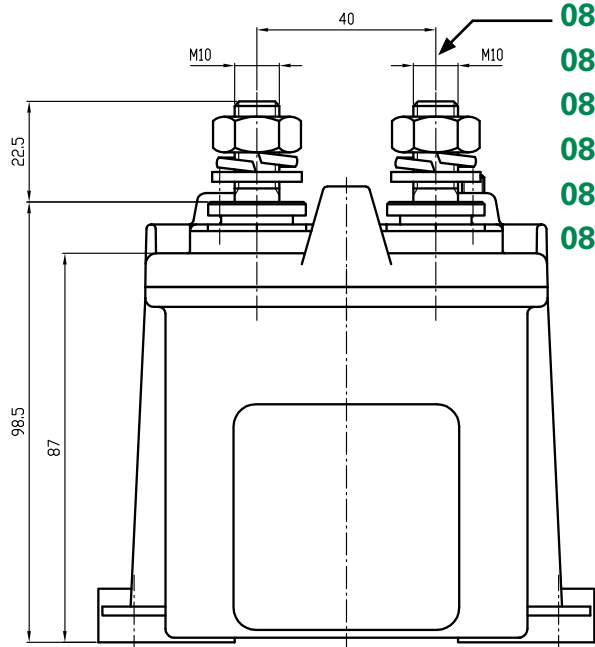


# 08094400 & 08094960 BATTERY DISCONNECT SWITCHES

**Dimensions in millimeters**

- 08094600
- 08094400
- 08094700
- 08094500
- 08094561
- 08094900
- 08094800
- 08094960
- 08094860

- 08094461
- 08094563



Visit [Littelfuse.com](http://Littelfuse.com) for the most up-to-date product information. Littelfuse reserves the right to make product changes, without notice. Material in this document is as accurate as known at the time of publication.