

# 8-Channel White LED Driver with Integrated FET for up to 80 LEDs

## BD6142AMUV

### ● General Description

This IC is white LED driver IC with PWM step-up DC/DC converter that can boost max 41V and current driver that can drive max 30mA. The wide and precision brightness can be controlled by external PWM pulse. This IC has very accurate current drivers, and it has few current errors between each strings. So, it will be helpful to reduce brightness spots on the LCD panel. Small package is suited for saving space.

### ● Features

- High accuracy & good matching current drivers 8ch (MAX30mA/ch)
- Integrated 50V power Nch MOSFET
- Soft Start function
- Drive up to 11 LEDs in series, 8 strings in parallel
- Rich safety functions
  - Over-voltage protection
  - External SBD open detect / Output Short protection
  - Over current limit
  - CH Terminal open / GND short protect
  - CH over voltage protect / LED short protect
  - Thermal shutdown
  - UVLO
- Analog Brightness Control

### ● Key Specifications

- Operating power supply voltage range: 4.2V to 27.0V
- LED maximum current: 30mA (Max.)
- Quiescent Current: 1.6μA (Typ.)
- Switching frequency: 1.25MHz(Typ.)
- Operating temperature range: -40°C to +85°C

### ● Package W(Typ.) x D(Typ.) x H(Max.)

VQFN024V4040 4.00mm x 4.00mm x 1.00mm



VQFN024V4040

Figure 1. Package

### ● Applications

All medium sized LCD equipments, Backlight of Notebook PC, net book, monitor, light, Portable DVD player, light source etc.

### ● Typical Application Circuit (8 Parallel)

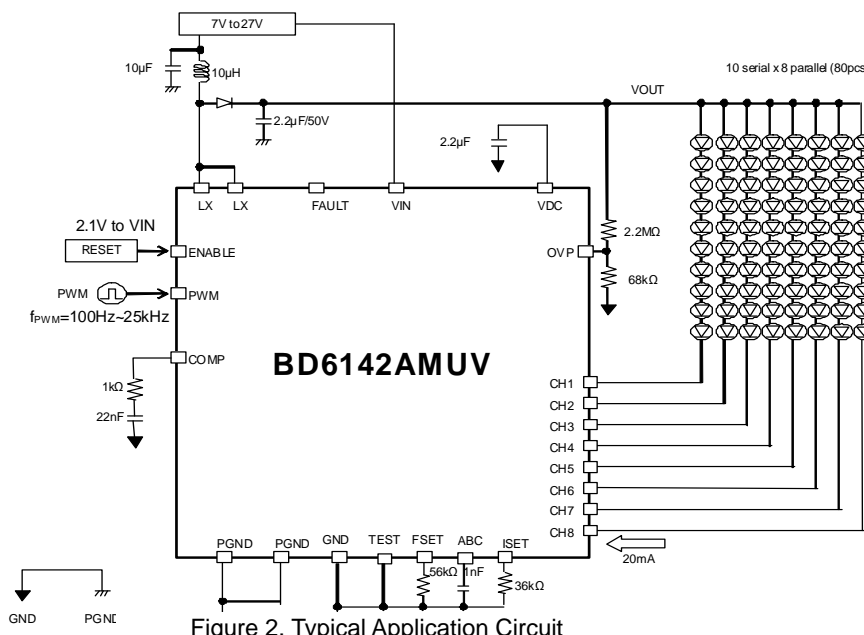


Figure 2. Typical Application Circuit

○Product structure : Silicon monolithic integrated circuit ○This product is not designed protection against radioactive rays

**● Absolute Maximum Ratings (Ta=25°C)**

Parameter	Symbol	Ratings	Unit	Condition
Terminal voltage 1	VMAX1	7	V	VDC, ISET, ABC, COMP, FSET, TEST, FAULT
Terminal voltage 2	VMAX2	45	V	CH1 to CH8, LX, OVP
Terminal voltage 3	VMAX3	30.5	V	VIN, ENABLE
Terminal voltage 4	VMAX4	15	V	PWM
Power dissipation 1	Pd1	500 <sup>*1</sup>	mW	
Power dissipation 2	Pd2	780 <sup>*2</sup>	mW	
Power dissipation 3	Pd3	1510 <sup>*3</sup>	mW	
Operating temperature range	Topr	-40 to +85	°C	
Storage temperature range	Tstg	-55 to +150	°C	

\*1 Reduced 4.0mW/°C With Ta>25°C when not mounted on a heat radiation Board.

\*2 1 layer (ROHM Standard board) has been mounted. Copper foil area 0mm<sup>2</sup>, When it's used by more than Ta=25 °C, it's reduced by 6.2mW/°C.

\*3 4 layer (JEDEC Compliant board) has been mounted. Copper foil area 1layer 6.28mm<sup>2</sup>, Copper foil area 2 to 4layers 5655.04mm<sup>2</sup>, When it's used by more than Ta=25 °C, it's reduced by 12.1mW/°C.

**● Recommended Operating Rating (Ta=-40°C to +85°C)**

Parameter	Symbol	Limits			Unit	Conditions
		Min.	Typ.	Max.		
Power supply voltage	VIN	4.2	12.0	27.0	V	

**● Electrical Characteristics (Unless otherwise specified, VIN=12V, Ta = +25°C)**

Parameter	Symbol	Limits			Unit	Conditions
		Min.	Typ.	Max.		
[General]						
Quiescent Current	Iq	-	1.6	4.4	μA	ENABLE=0V
Current Consumption	Idd	-	3.6	5.4	mA	OVP=0V, ISET=36kΩ
Max. Output Voltage	MOV	-	-	41	V	
Under Voltage Lock Out	UVLO	3.1	3.7	4.1	V	VIN falling edge
[ENABLE Terminal]						
Low Input Voltage range	EnL	0.0	-	0.8	V	
High Input Voltage range1	EnH	2.0	-	VIN	V	
Pull down resistor	EnR	100	300	500	kΩ	ENABLE=3V
Output Current	ENIout	-	0	2	μA	ENABLE=0V
[PWM Terminal]						
Low Input Voltage range	PWML	0.0	-	0.8	V	
High Input Voltage range2	PWMH	1.3	-	12.0	V	
Pull down resistor	PWMR	100	300	500	kΩ	PWM=3V
Output Current	PWMIout	-	0	2	μA	PWM=0V
[FAULT]						
Nch RON	FFCR	-	-	3	kΩ	ENABLE =PWM=3V, OVP=2V
[Regulator]						
VDC Voltage	VREG	4.2	5.0	6.0	V	No load, VIN > 6V

● **Electrical Characteristics** – continued (Unless otherwise specified, VIN=12V, Ta = +25°C)

Parameter	Symbol	Limits			Unit	Conditions
		Min.	Typ.	Max.		
[Switching Regulator]						
LED Control voltage	VLED	0.64	0.80	0.96	V	
Switching frequency accuracy	Fsw	1.00	1.25	1.50	MHz	FSET=56kΩ
Duty cycle limit	Duty	91.0	95.0	99.0	%	CH1-8=0.3V, FSET=56kΩ
LX Nch FET RON	RON	-	0.48	0.58	Ω	ILX=80mA
[Protection]						
Over Current Limit	Ocp	1.5	2.5	-	A	*1
Over voltage limit Input	OVP	1.16	1.20	1.24	V	Detect voltage of OVP
Output Short Protect	OVPfault	0.02	0.05	0.08	V	Detect voltage of OVP
OVP leak current	OVIL	-	0.1	1.0	μA	
CH Terminal Over Voltage Protect accuracy	VSC	-15	0	+15	%	VSC=5V
[Current driver]						
LED maximum current	ILMAX	-	-	30	mA	
LED current accuracy	ILACCU	-	-	±2.5	%	ILED=20mA (36kΩ)
LED current matching	ILMAT	-	-	2.5	%	(Max LED current – Min LED current)/ Ideal current (20mA) ILED=20mA
LED current matching2	ILMAT2	-	-	1.5	%	•Each LED current/Average (CH1- 8) •ILED=20mA
LED current limiter	ILOCP	-	0	0.1	mA	Current limit value at ISET Resistance 1kΩ setting
ISET voltage	Iset	-	0.733	-	V	
LED current accuracy2	ILACCU2	-	±3.0	-	%	ILED=20mA, ABC=0.733V

\*1 This parameter is tested with DC measurement.

● Pin Descriptions

Pin No.	Pin Name	IO	Function	Terminal diagram
1	ENABLE	In	PWM input pin for power ON/OFF or Power control	E
2	TEST	In	TEST signal (Pull down 100kΩ within IC)	E
3	FSET	In	Resister connection for frequency setting	A
4	ABC	In	Analog Brightness Control	C
5	GND	-	GND for Switching Regulator	B
6	PWM	In	PWM input pin for power ON/OFF only driver	E
7	CH8	In	Current sink for CH8	C
8	CH7	In	Current sink for CH7	C
9	CH6	In	Current sink for CH6	C
10	CH5	In	Current sink for CH5	C
11	ISET	In	Resister connection for LED current setting	A
12	CH4	In	Current sink for CH4	C
13	CH3	In	Current sink for CH3	C
14	CH2	In	Current sink for CH2	C
15	CH1	In	Current sink for CH1	C
16	OVP	In	Detect input for SBD open and OVP	C
17	PGND	-	PGND for switching Tr	D
18				
19	LX	Out	Switching Tr drive terminal	F
20		Out	Switching Tr drive terminal	F
21	FAULT	Out	Fault signal	C
22	COMP	Out	ERRAMP output	A
23	VIN	In	Battery input	G
24	VDC	Out	Regulator output / Internal power-supply	C
-	Thermal PAD	-	Heat radiation PAD of back side Connect to GND	

● Pin ESD Type

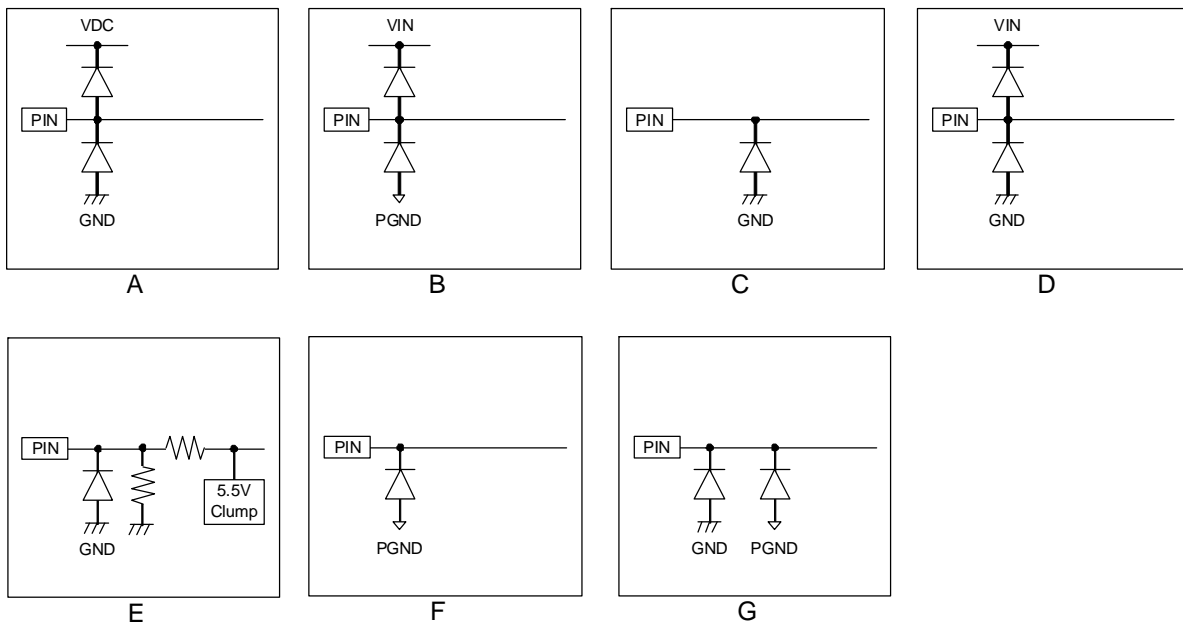
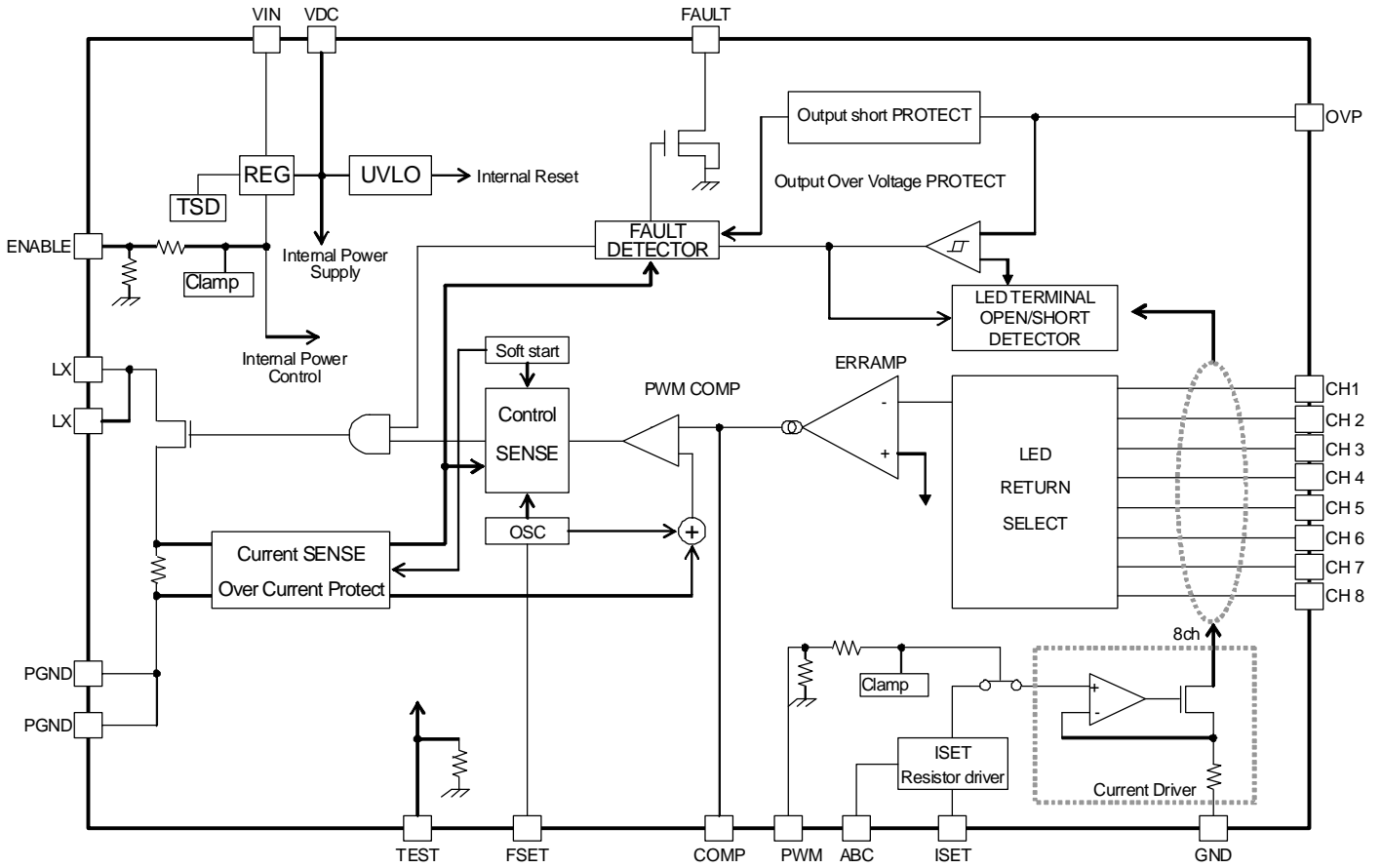


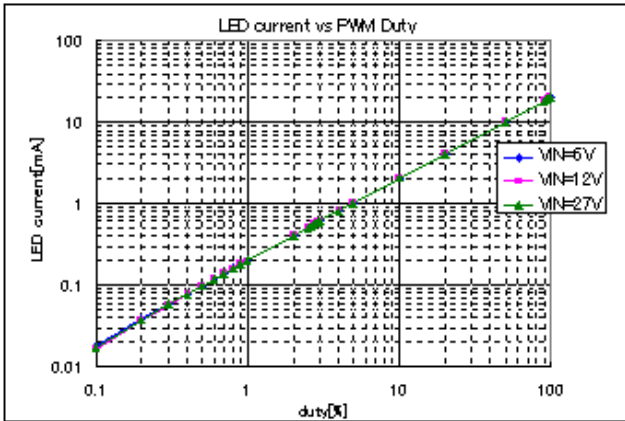
Figure 3. Pin ESD Type

●Block Diagram



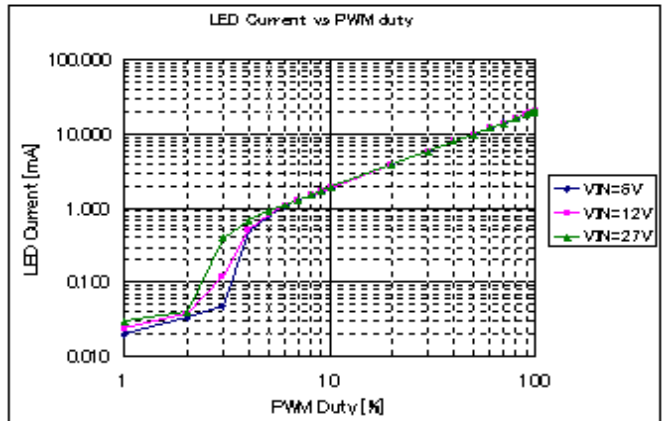
Pin number 24pin  
Figure 4. Block diagram

● Typical Performance Curves



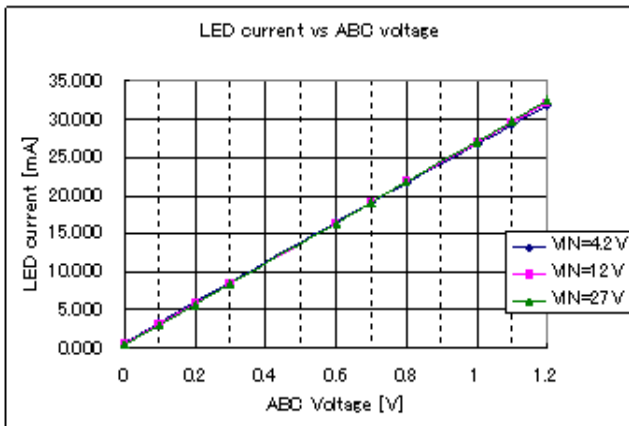
<Condition>  
 ■ 10 serial × 8 parallel  
 ■ Ta = 25°C  
 ■ LED Current = 20mA  
 ■ PWM frequency = 200Hz  
 ■ Frequency = 1.25MHz (FSET=56kΩ)  
 ■ Coil = 10μH

Figure 5. LED current characteristics PWM dimming



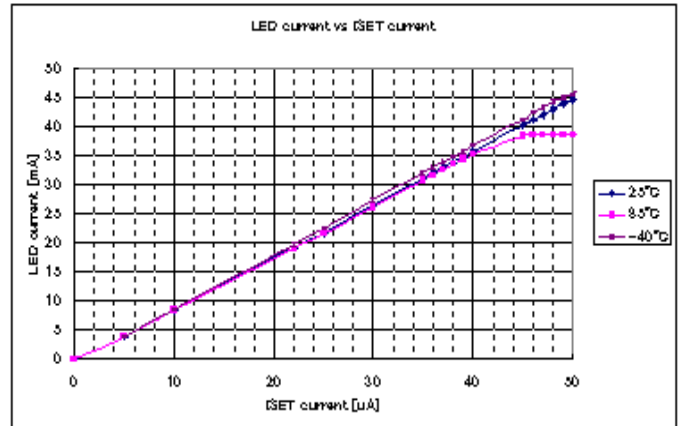
<Condition>  
 ■ 10 serial × 8 parallel  
 ■ Ta = 25°C  
 ■ LED Current = 20mA  
 ■ PWM frequency = 30kHz  
 ■ Frequency = 1.25MHz(FSET=56kΩ)  
 ■ Coil = 4.7μH

Figure 6. LED current characteristics PWM dimming



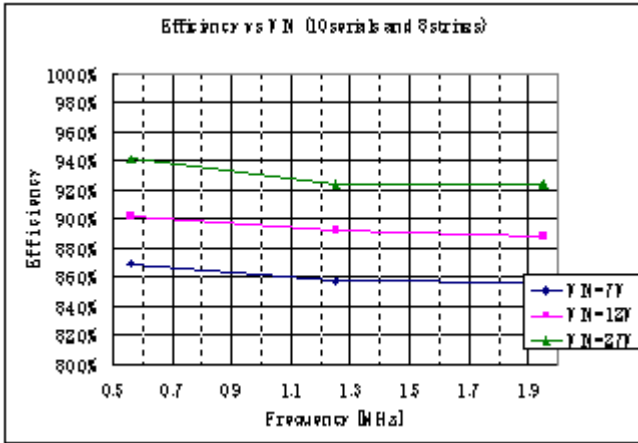
<Condition>  
 ■ Ta = 25°C  
 ■ ISET = 36kΩ  
 ■ CH1 = 0.8V

Figure 7. LED Current Characteristics Analog Dimming



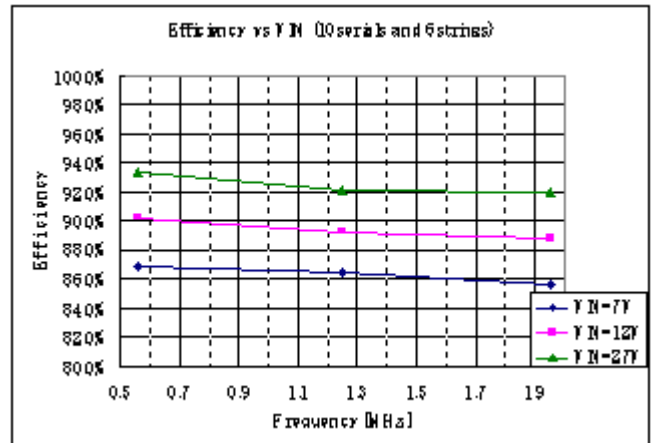
<Condition>  
 ■ VIN = 12V  
 ■ CH1 = 0.8V

Figure 8. LED maximum current



<Condition>  
 ■ Ta = 25°C  
 ■ 10 serial × 8 parallel  
 ■ LED Current = 20mA  
 ■ Coil = TDK, LTF5022T-100M1R4-LC

Figure 9. Efficiency



<Condition>  
 ■ Ta = 25°C  
 ■ 10 serial × 6 parallel  
 ■ LED Current = 20mA  
 ■ Coil = TDK, LTF5022T-100M1R4-LC

Figure 10. Efficiency

● Application example

Figure 11, Figure 12 and Figure 13 are Application examples (15.4inch and 12inch and 10.1inch model). Recommended schematics and Layout are shown in P22.

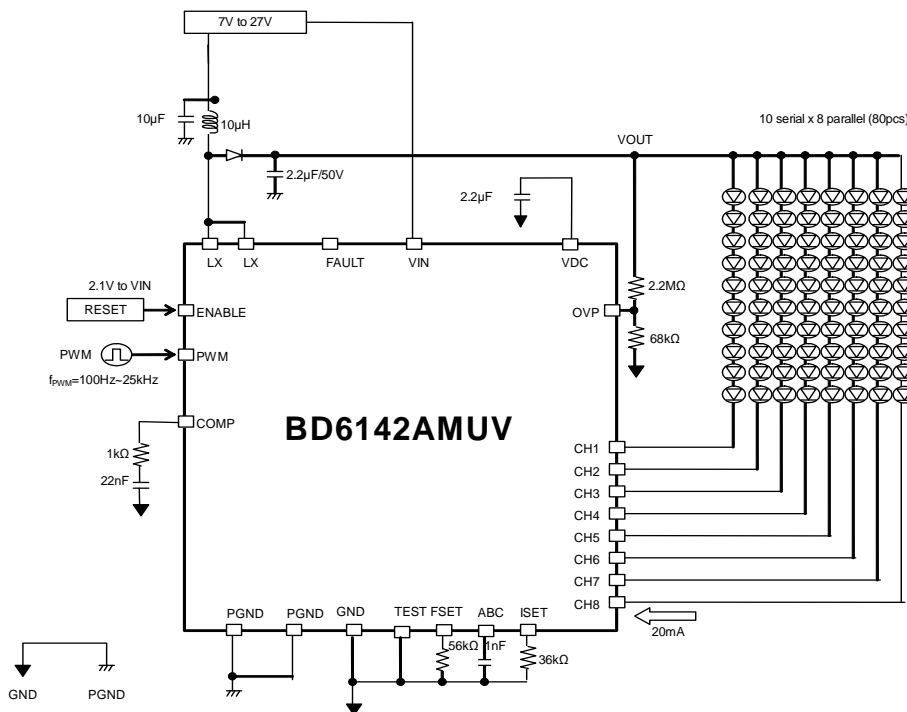


Figure 11. BD6142AMUV Application example (8 parallel)

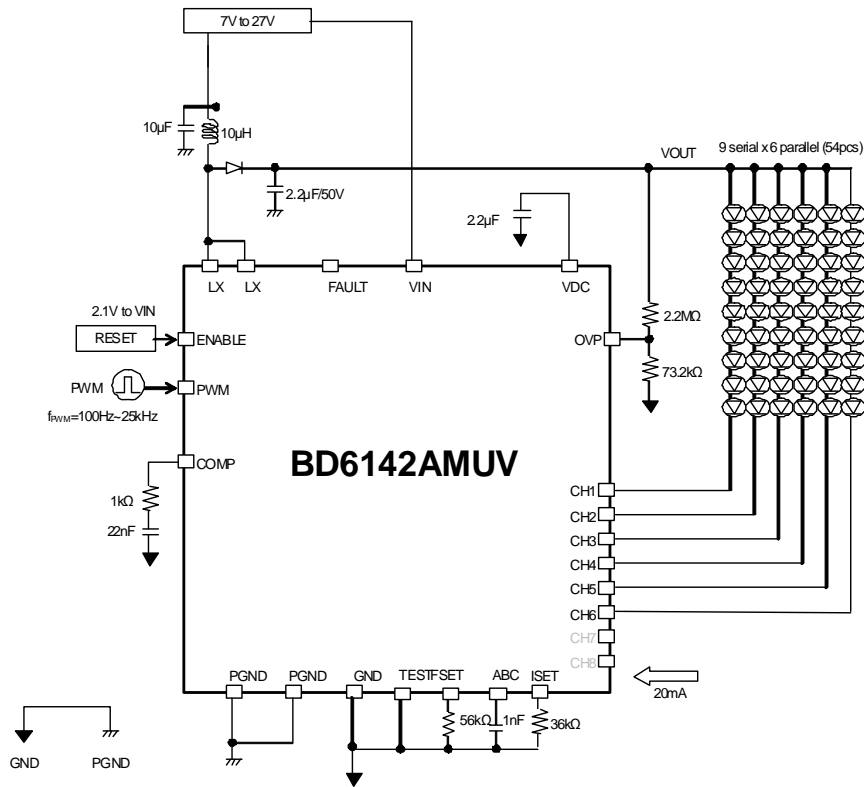


Figure 12. BD6142AMUV Application example (6 parallel)

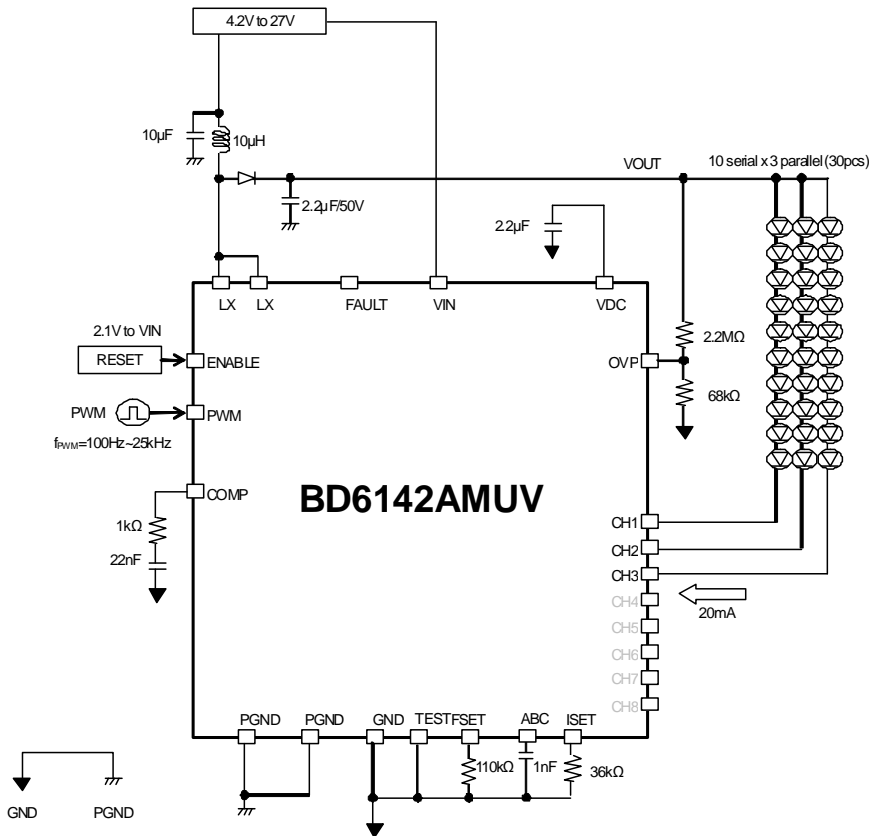


Figure 13. BD6142AMUV Application example (3 parallel)



● Functional descriptions

1) PWM current mode DC/DC converter

While this IC is power ON, the lowest voltage of CH1, 2, 3, 4, 5, 6, 7, 8 is detected, PWM duty is decided to be 0.8V and output voltage is kept invariably. As for the inputs of the PWM comparator as the feature of the PWM current mode, one is overlapped with error components from the error amplifier, and the other is overlapped with a current sense signal that controls the inductor current into Slope waveform to prevent sub harmonic oscillation. This output controls internal Nch Tr via the RS latch. In the period where internal Nch Tr gate is ON, energy is accumulated in the external inductor, and in the period where internal Nch Tr gate is OFF, energy is transferred to the output capacitor via external SBD. This IC has many safety functions, and their detection signals stop switching operation at once.

2) Pulse skips control

This IC regulates the output voltage using an improved pulse-skip. In “pulse-skip” mode the error amplifier disables “switching” of the power stages when it detects low output voltage and high input voltage. The oscillator halts and the controller skip switching cycles. The error amplifier reactivates the oscillator and starts switching of the power stages again when this IC detects low input voltage.

At light loads a conventional “pulse-skip” regulation mode is used. The “pulse-skip” regulation minimizes the operating current because this IC does not switch continuously and hence the losses of the switching are reduced. When the error amplifier disables “switching”, the load is also isolated from the input. This improved “pulse-skip” control is also referred to as active-cycle control.

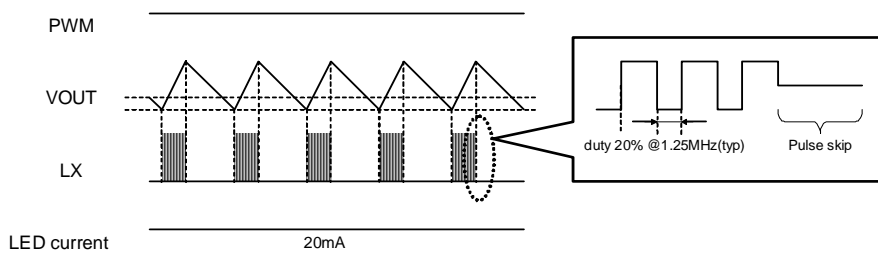


Figure 14. Pulse-skip

3) Soft start

This IC has soft start function.

The soft start function prevents large coil current.

Rush current at turning on is prevented by the soft start function.

After ENABLE, PWM is changed 'L' → 'H', and UVLO is detected, soft start becomes effective for within typ 4.3ms and soft start doesn't become effective even if ENABLE is changed 'L' → 'H' after that.

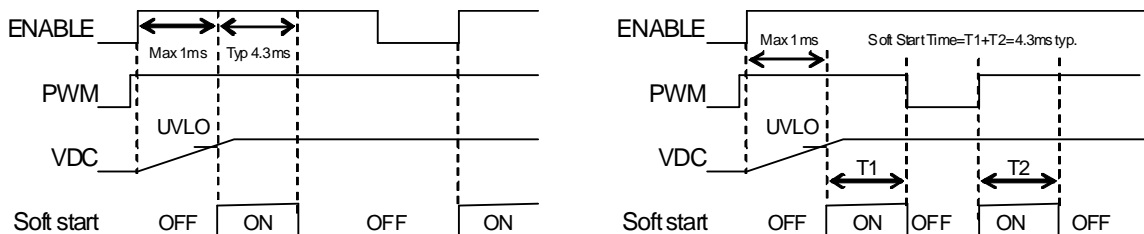


Figure 15. Soft start

4) FAULT

When the error condition occurs, boost operating is stopped by the protection function, and the error condition is outputted from FAULT. After power ON, when the protection function is operating under about 4.3ms(typ.) have passed.

Once ENABLE change to 'L', FAULT status is reset

Object of protect function is as shown below.

- Over-voltage protection (OVP)
- Thermal shut down (OTP)
- Over current limit (OCP)
- Output short protect
- LED Short (Latch)
- LED Open (Latch)

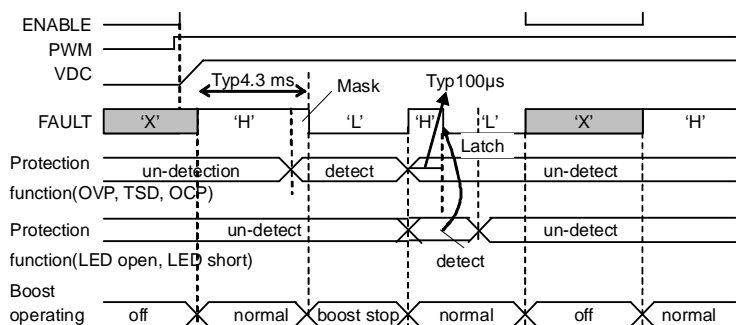


Figure 16. FAULT operating description

●Protection

PROTECTION TABLE

CASE	FAILURE MODE	DETECTION MODE	FAIL CHANNEL	GOOD CHANNEL	VOUT REGULATED BY	FAULT Terminal
1	LED Short connected CH1	CH1 > VSC(5V)	LED current stop and DC/DC feedback doesn't return	CH2 to CH8 Normal	Highest VF of CH2 to CH8	'H' → 'L' (Latch)
2	LED OPEN connected CH1	CH1 < 0.2V and VOUT > VOVP	LED current stop and DC/DC feedback doesn't return	CH2 to CH8 Normal	Highest VF of CH2 to CH8	'H' → 'L' (Latch)
3	VOUT/LX GND SHORT	OVP < 50mV	FAULT change from L to H, and switching is stopped. When OVP>50mV, FAULT return L		-	'H' → 'L'
4	Output LED stack voltage too high	VOUT > VOVP	FAULT change from L to H, and switching is stopped. Even if OVP<1.2V, FAULT don't return L		-	'H' → 'L'
5	LX current too high	OCP > 2.5A or OTP > 130°C	FAULT change from L to H, and switching is stopped. Even if IC return normal status, FAULT don't return L		-	'H' → 'L'

• Over voltage protection (OVP)

At such an error of output open as the output DC/DC and the LED is not connected to IC, the DC/DC will boost too much and the OVP terminal exceed the absolute maximum ratings, and may destruct the IC. Therefore, when OVP terminal becomes sensing voltage or higher, the over voltage limit protection works, and turns off the switching Tr, and DC/DC will be stopped.

At this moment, the IC changes from activation into non-activation, and the output voltage goes down slowly. And, when the Feedback of CH1 isn't returned, so that VOUT will return normal voltage.

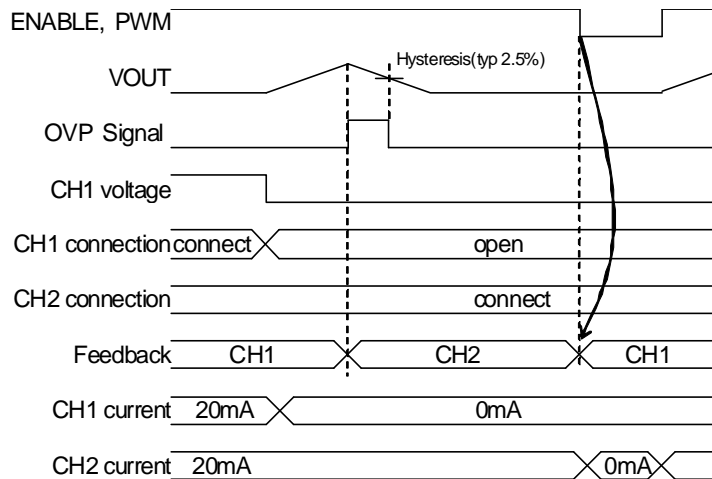


Figure 17. OVP operating description

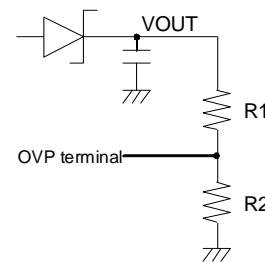
This section is especially mentioned here because the spec shown electrical characteristic is necessary to explain this section.

Over voltage limit	min 1.16V	typ 1.20V	max 1.24V
LED control voltage	min 0.64V	typ 0.80V	max 0.96V
LED terminal over voltage protect	min 4.25V	typ 5.00 V	max 5.75V

1. Calculate the conditions that the total value of LED VF is MAX.  
Example) In the case of serial 8 LEDs with VF=2.9V(min), 3.2V(typ), 3.5V(max) => 3.5V x 8=28V
2. Then calculate the biggest value of output with the following formula.  
The biggest value of output = the biggest value calculated for 1 + the biggest value of LED terminal voltage. (0.96V)  
Example) The biggest value of output = 28V + 0.96V =28.96V
3. Set the smallest value of over voltage larger than the biggest value of output.  
If over voltage is closer to the total value of VF, it could be occurred to detect over voltage by ripple, noise, and so on. It is recommended that some margins should be left on the difference between over voltage and the total value of VF. This time around 6% margin is placed.  
Example) Against the biggest value of output = 28.96V, the smallest value of over voltage = 28.96V x 1.06 = 30.70V  
Ic over voltage limit min=1.16V, typ=1.20V, max=1.24V  
typ = 30.70V x (1.20V/1.16V) = 31.76V  
max = 31.76V x (1.26V/1.20V) = 33.35V
4. The below shows how to control resistor setting over voltage  
Please fix resistor high between OVP terminal and output and then set over voltage after changing resistor between OVP terminal and GND. While PWM is off, output voltage decreases by minimizing this resistor. Due to the decrease of output voltage, ripple of output voltage increases, and singing of output condenser also becomes bigger.  
Example) Selecting OVP resistor.

#### • OVP resistor selection

- (Example. 1) VF=3.5V max, serial = 7 LED  
OVP = 1.2V, R1 = 2.2MΩ, R2 = 95.3kΩ  
VOUT = 1.2 x (2.2MΩ + 95.3kΩ) / 95.3kΩ = 28.90V
- (Example. 2) VF=3.5V max, serial = 8 LED  
OVP = 1.2V, R1 = 2.2MΩ, R2 = 82kΩ  
VOUT = 1.2 x (2.2MΩ + 82kΩ) / 82kΩ = 33.40V
- (Example. 3) VF=3.5V max, serial = 9 LED  
OVP = 1.2V, R1 = 2.2MΩ, R2 = 73.2kΩ  
VOUT = 1.2 x (2.2MΩ + 73.2kΩ) / 73.2kΩ = 37.27V
- (Example. 4) VF=3.5V max, serial = 10 LED  
OVP = 1.2V, R1 = 2.2MΩ, R2 = 68kΩ  
VOUT = 1.2 x (2.2MΩ + 68kΩ) / 68kΩ = 40.02V



#### • External SBD open detect / Output Short protection

In the case of external SBD is not connected to IC, or VOUT is shorted to GND, the coil or internal Tr may be destructed. Therefore, at such an error as OVP becoming 50mV(typ.) or below, turns off the output Tr, and prevents the coil and the IC from being destructed.

And the IC changes from activation into non-activation, and current does not flow to the coil (0mA).

#### • Thermal shut down

This IC has thermal shut down function.

The thermal shut down works at 130°C (typ.) or higher, and the IC changes from activation into non-activation.

●Operating of the application deficiency

1)When 1 LED or 1string OPEN during the operating

The LED string which became OPEN isn't lighting, but other LED strings are lighting.

Then LED terminal is 0V, VOUT put boosts up to the over voltage protection voltage. When over voltage is detected, the feedback of open string isn't returned, so that VOUT will return normal voltage.

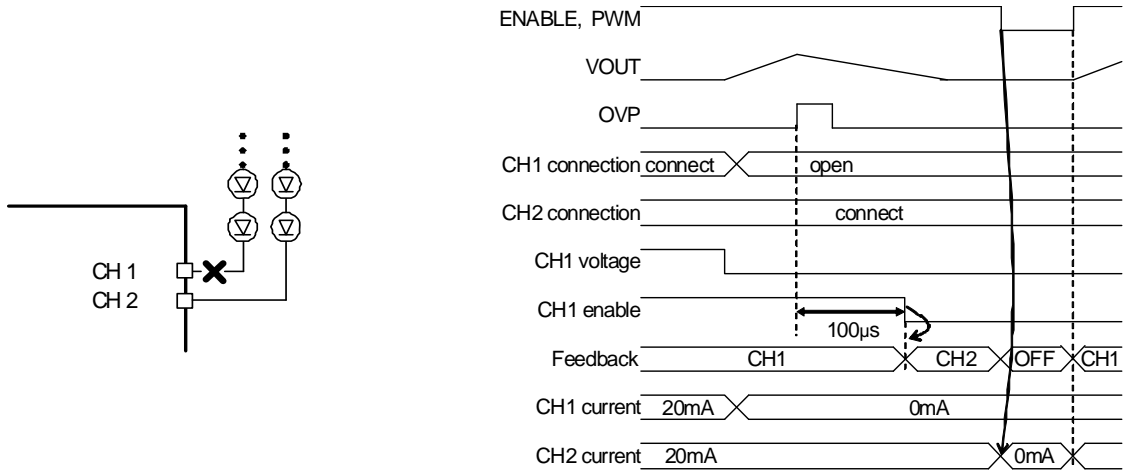


Figure 18. LED open protect

2)When LED short-circuited in the plural

All LED strings is turned on unless CH1 to 8 terminal voltage is more than 5V(typ.).

When it was more than 5V only the strings which short-circuited is turned off normally and LED current of other lines continue to turn on. Short line(CH1) current is changed from 20mA to 0.05mA(typ.), so CH1 terminal don't heat.

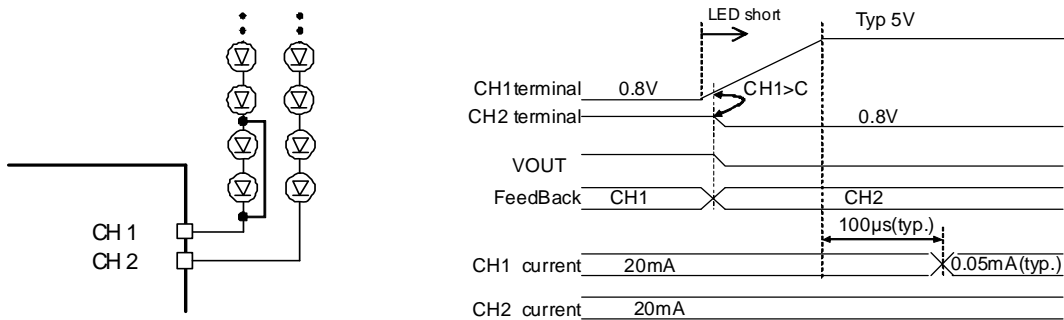


Figure 19. LED short protect

3)When Schottky diode remove

All LED strings aren't turned on. Also, IC and a switching transistor aren't destroyed because boost operating stops by the Schottky diode open protected function.

●Control Signal input timing

Timing sequence1

Referring to Figure 20, the recommended turn “on” sequence is VIN followed by ENABLE and PWM. The recommended turn “off” sequence is ENABLE and PWM followed by VIN. This sequence is recommendation.

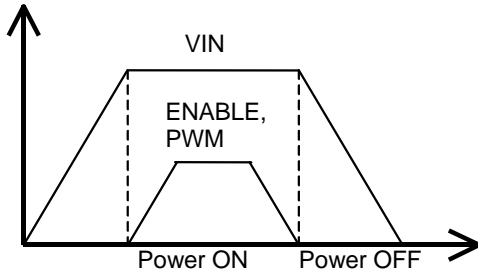
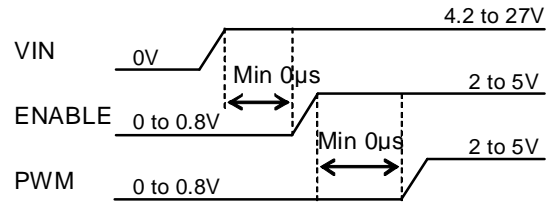


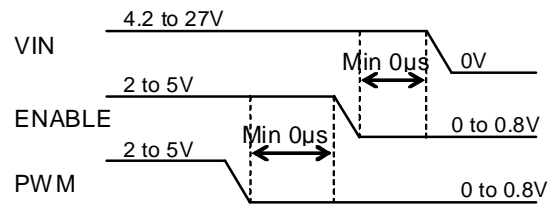
Figure 20. Timing sequence1

LED IC Timing Sequence for PWM Control Turn-on



\*other signal is input after a signal turned on.

LED IC Timing Sequence for PWM Control Turn-off



\*other signal is input after a signal turned off.

Timing sequence2

Referring to Figure 21, the recommended turn “on” sequence is VIN, ENABLE followed by PWM. The recommended turn “off” sequence is followed ENABLE and VIN by PWM.

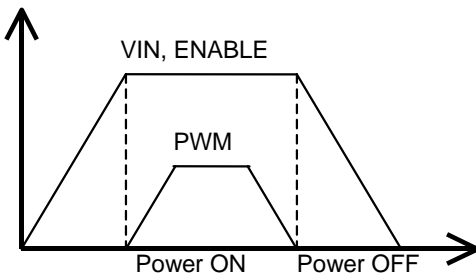
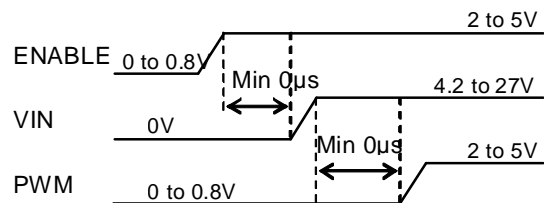


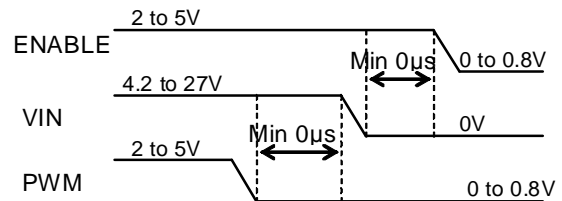
Figure 21. Timing sequence2

LED IC Timing Sequence for PWM Control Turn-on



\*other signal is input after a signal turned on.

LED IC Timing Sequence for PWM Control Turn-off



\*Other signal is input after a signal turned off.

Timing sequence3

Referring to Figure 22, the recommended turn “on” sequence is VIN, PWM followed by ENABLE.  
The recommended turn “off” sequence is followed ENABLE and VIN by PWM.

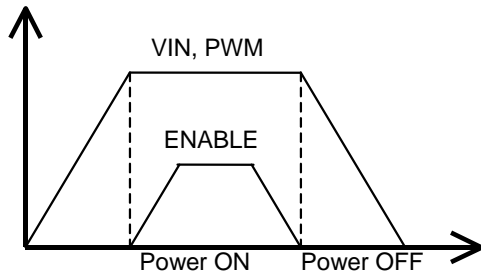
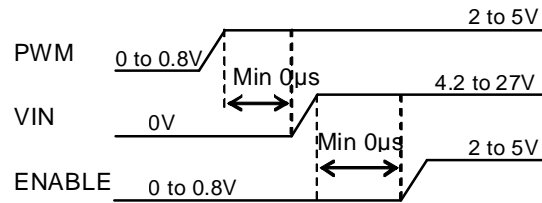


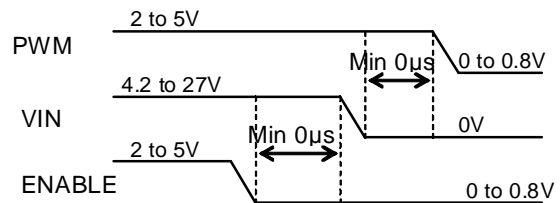
Figure 22. Timing sequence3

LED IC Timing Sequence for PWM Control Turn-on



\*other signal is input after a signal turned on.

LED IC Timing Sequence for PWM Control Turn-off



\*other signal is input after a signal turned off.

VIN wake up speed

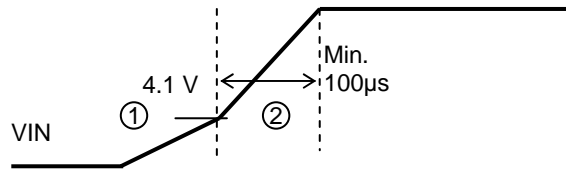


Figure 23. control Signal timing

In case, there is PWM OFF status (min: 10ms) during operation as Figure 24, ENABLE should turn from ‘H’ to ‘L’ as Figure 24.

If PWM stops and VOUT voltage is dropped, this IC will be condition of current limiter when PWM starts (no soft start).  
If soft start isn’t needed, reset is no need.



Figure 24. PWM stop and ENABLE turn “off”

●How to activate

Please be careful about the following when being activated.

- Regulator (VDC) operates after ENABLE=H. Inside circuit operates after releasing UVLO. When IC boosts after releasing UVLO, soft start function operates. (Refer to Figure 15, 9P). Soft start circuit needs  $t_{15}$  (more than 15 $\mu$ s) as Figure 25. shows. Soft start operates for  $t_{soft}$  time. Please make H width of PWM more than 15 $\mu$ s until soft start finishes.
- Please input PWM signal according to Figure 26. after soft start finishes.

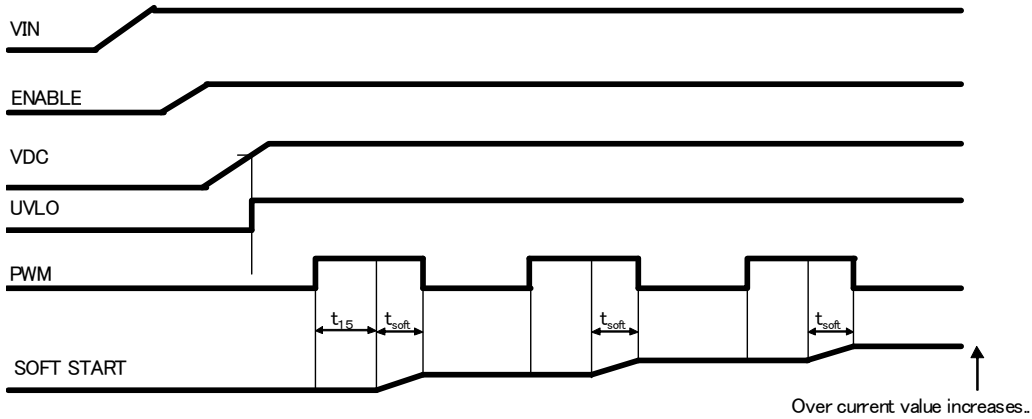


Figure 25. Soft start

Example) Time until soft start finishes at PWM frequency 25kHz and PWM=H time16 $\mu$ s

According to soft start time typ4.3ms

$$t_{soft} = 16\mu s - 15\mu s = 1\mu s$$

$$\text{Soft start time} / t_{soft} / \text{PWM frequency} = 4300\mu s / 1\mu s / 25\text{kHz} = 4300 / 25\text{kHz} = 172\text{ms}$$

At light dimming of PWM terminal (after soft start finishes)

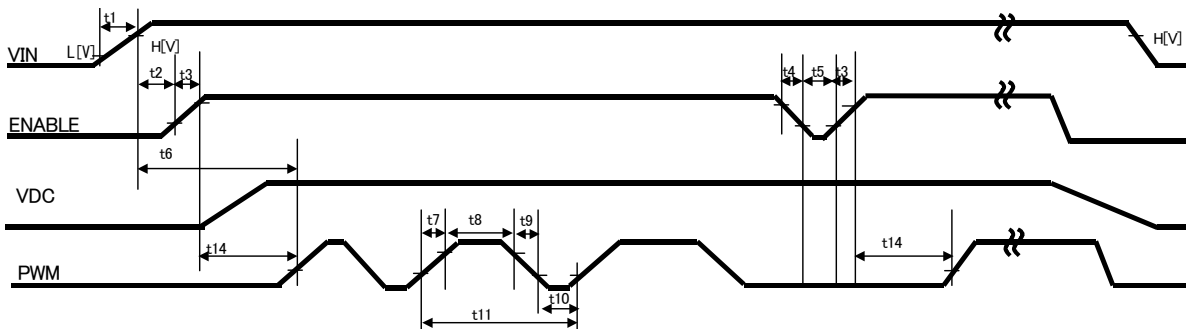


Figure 26. Input timing (after soft start)

	Name	Unit	Min.	Typ.	Max.
t1	Power supply rising time	$\mu$ s	100	-	-
t2	Power supply-ENABLE time	$\mu$ s	0	-	-
t3	ENABLE rising time	$\mu$ s	0	-	100
t4	ENABLE falling time	$\mu$ s	0	-	100
t5	ENABLE low width	$\mu$ s	50	-	-
t6	Power supply-PWM time	$\mu$ s	0	-	-
t7	PWM rising time	$\mu$ s	0	-	100
t8	PWM high width	$\mu$ s	5	-	-
t9	PWM falling time	$\mu$ s	0	-	100
t10	PWM low width	$\mu$ s	5	-	-
t11	PWM frequency	$\mu$ s	40	5000	10000
t12	ENABLE (H)->PWM (H) time	$\mu$ s	0	-	-
t13	ENABLE (L)->PWM (L) time	$\mu$ s	0	-	-
t14	PWM (L)->ENABLE (L) time	$\mu$ s	0	-	-
t15	PWM high width (while soft start)	$\mu$ s	15	-	-
H	Operating voltage	V	4.2	12	27
L	Non operating voltage	V	-	-	4.2

●How to select the number of LED strings of the current driver

When the number of LED strings of the current driver is reduced, the un-select can be set the matter that the unnecessary CH1 to 8 terminal is opened. When it uses with 6 lines and so on, it can correspond to it by becoming 2 unnecessary lines to open.

When VOUT wake up, VOUT boost up until OVP voltage. Once IC detect OVP, VOUT don't boost up until OVP from next start up. To set PWM and ENABLE to L, IC reset CH7, 8 status as Figure 27. When VOUT wake up, CH8 (open terminal) and CH1 are selected as Figure 28.

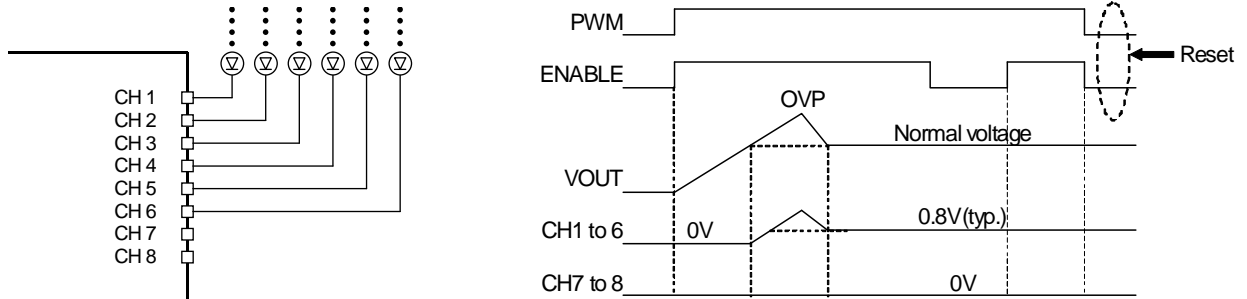


Figure 27. Select the number of CH lines 1

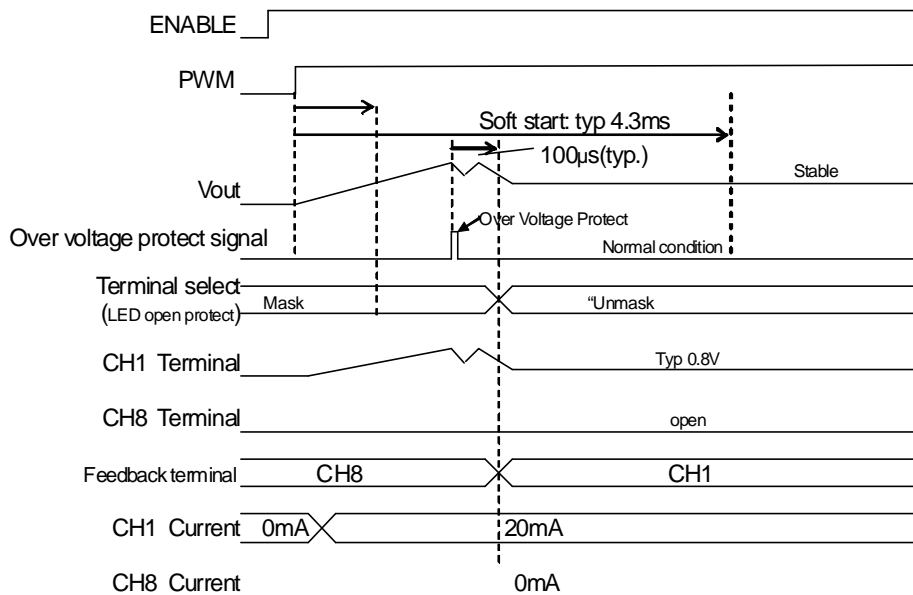


Figure 28. Select the number of CH lines 2 (wake up)



●Start control (ENABLE) and select LED current driver (PWM)

This IC can control the IC system by ENABLE, and IC can power off compulsory by setting 0.8V or below. Also, It powers on ENABLE is at more than 2.0V.  
 After it's selected to ENABLE=H, When it is selected at PWM=H, LED current decided with ISET resistance flow.  
 Next, When it is selected at PWM=L, LED current stop to flow.

ENABLE	PWM	IC	LED current
0	0	Off	OFF
1	0	On	OFF
0	1	Off	OFF
1	1	On	Current decided with ISET

●LED current setting range

LED current can set up Normal current by resistance value (RISET) connecting to ISET voltage.  
 Setting of each LED current is given as shown below.

$$RISET = 720/ILEDmax$$

Also, Normal current setting range is 10mA to 30mA. LED current becomes a leak current MAX 2μA at OFF setting.

ISET Normal current setting example

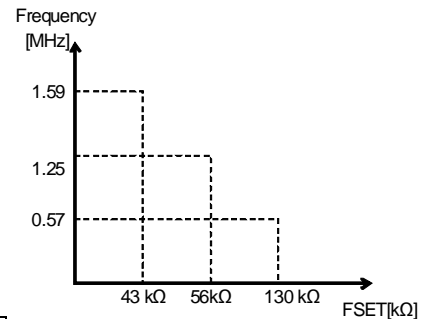
RISET	LED current
24kΩ (E24)	30.0mA
30kΩ (E24)	24.0mA
36kΩ (E24)	20.0mA
43kΩ (E24)	16.7mA
68kΩ (E12)	10.6mA

●Frequency setting range

Switching frequency can be set up by resistance value (RFSET) connecting to FSET port.  
 Setting of frequency is given as shown below.  
 Also, Frequency setting range is 0.60MHz to 1.60MHz.

FSET frequency setting example

RFSET	frequency
130kΩ (E96)	0.57MHz
56kΩ (E24)	1.25MHz
43kΩ (E24)	1.59MHz



Max Duty example

Frequency	Max Duty[%]		
	Min	Typ	Max
0.57MHz	-	96.0	-
1.25MHz	91.0	95.0	99.0
1.59MHz	-	92.0	-

Min Duty example

Frequency	Min Duty[%]		
	Min	Typ	Max
1.25MHz	-	20	-

●PWM dimming

Current driver PWM control is controlled by providing PWM signal to PWM port, as it is show in Figure 29. The current set up with ISET is chosen as the H section of PWM and the current is off as the L section. Therefore, the average LED current is increasing in proportion to duty cycle of PWM signal. This method that it lets internal circuit and DC/DC to work, because it becomes to switch the driver, the current tolerance is a few when the PWM brightness is adjusted, it makes it possible to brightness control until 5μs (Min 0.1% at 200Hz). And, don't use for the brightness control, because effect of ISET changeover is big under 1μs ON time and under 1μs OFF time. Typical PWM frequency is 100Hz to 25kHz.

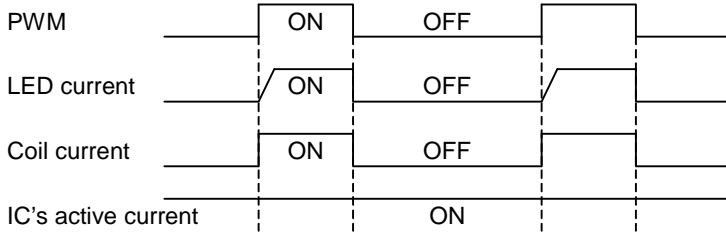
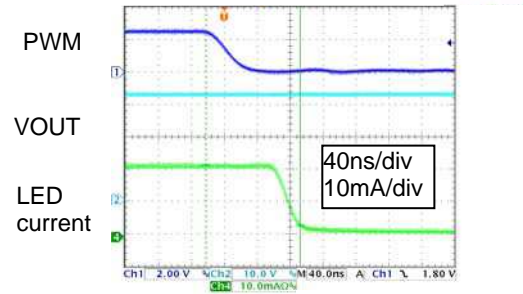
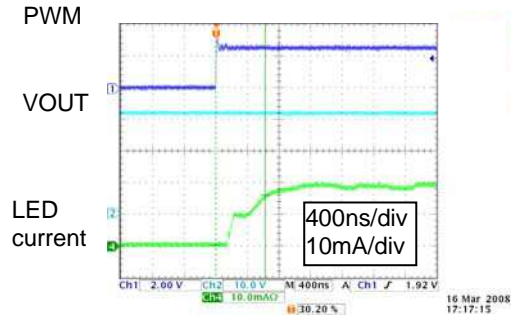


Figure 29. PWM sequence

Conditions : 8serial 6parallel, LED current=20mA/ch,  
VIN=7V, Ta=25°C, Output capacitor=2.2μF(50V/B3)



●Analog dimming

BD6142AMUV control LED current according analog input (ABC terminal). For ABC voltage = typ 0.733V, LED current can set up Normal current by resistance value (RSET) connecting to ISET voltage. To decrease ABC voltage, LED current decrease, and to increase ABC voltage, LED current increase.

Please set max LED current to check LED current setting range of P.17  
Please care that ABC voltage of max LED current is 0.733V  
ABC input range is 0.05V to 0.9V(Target).  
This dimming is effected by ISET tolerance as follows.

When you don't use analog dimming, please set condenser to ABC terminal. Until the condenser of ABC terminal is finished to charge, LED current increase with that speed.  
The resister between 1.2V and ABC terminal is 120.9kΩ.  
Please select the capacitor to care charge time.

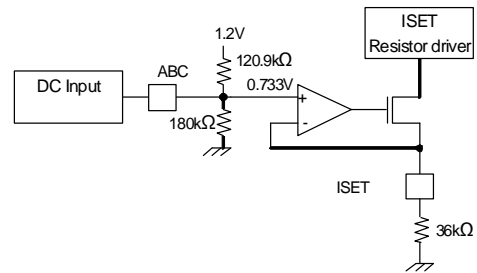


Figure 30. Analog dimming application

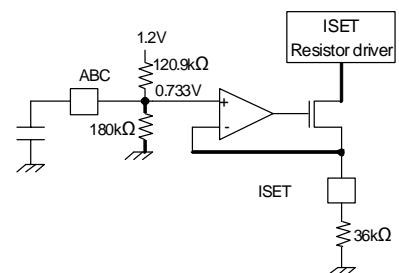


Figure 31. PWM dimming application

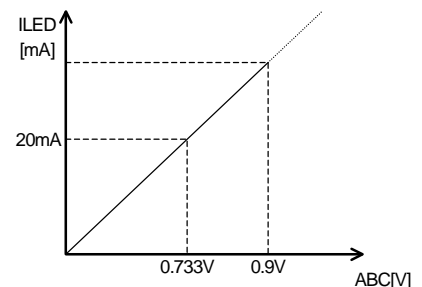


Figure 32. ILED vs ABC voltage

### ●Coil selection

The DC/DC is designed by more than 4.7μH. When L value sets to a lower value, it is possibility that the specific sub-harmonic oscillation of current mode DC / DC will be happened. Please do not let L value to 3.3μH or below. And, L value increases, the phase margin of DC / DC becomes to zero. Please enlarge the output capacitor value when you increase L value. Please select lower DC resistance (DCR) type, efficiency still relies on the DCR of Inductor. Please estimate Peak Current of Coil. Peak current can be calculated as following.

#### Peak Current calculation

<The estimate of the current value which need for the normal operation>

As over current detector of this IC is detected the peak current, it have to estimate peak current to flow to the coil by operating condition.

In case of,

- Supply voltage of coil =  $V_{in}$
- Inductance value of coil = L
- Switching frequency = fsw (Min=1.0MHz, Typ = 1.25MHz, Max = 1.5MHz)
- Output voltage =  $V_{OUT}$
- Total LED current =  $I_{LED}$
- Average current of coil =  $I_{ave}$
- Peak current of coil =  $I_{peak}$
- Cycle of Switching = T
- Efficiency = eff (Please set up having margin)
- ON time of switching transistor =  $T_{on}$
- ON Duty = D

CCM:  $I_{peak} = (V_{in} / L) \times (1 / fsw) \times (1 - (V_{in} / V_{OUT}))$ , DCM:  $I_{peak} = (V_{in} / L) \times T_{on}$

$I_{ave} = (V_{OUT} \times I_{OUT} / V_{in}) / \text{eff}$

$T_{on} = (I_{ave} \times (1 - V_{in} / V_{OUT}) \times (1 / fsw) \times (L / V_{in}) \times 2)^{1/2}$

#### Each current is calculated.

As peak current varies according to whether there is the direct current superposed, the next is decided.

CCM:  $(1 - V_{in} / V_{OUT}) \times (1 / fsw) < T_{on} \rightarrow \text{peak current} = I_{peak} / 2 + I_{ave}$

DCM:  $(1 - V_{in} / V_{OUT}) \times (1 / fsw) > T_{on} \rightarrow \text{peak current} = V_{in} / L \times T_{on}$

#### (Example 1)

In case of,  $V_{in} = 7.0V$ ,  $L = 10\mu H$ ,  $fsw = 1.2MHz$ ,  $V_{OUT} = 32V$ ,  $I_{LED} = 120mA$ , Efficiency = 88%

$I_{ave} = (32 \times 120m / 7) / 88\% = 0.62A$

$T_{on} = (0.62 \times (1 - 7 / 32) \times (1 / 1.2M) \times (10\mu / 7) \times 2)^{1/2} = 1.07\mu s$

$(1 - V_{in} / V_{OUT}) \times (1 / fsw) = 0.65\mu s < T_{on}(1.07\mu s)$  CCM

$I_{peak} = (7 / 10\mu) \times (1 / 1.2M) \times (1 - (7 / 32)) = 0.46A$

Peak current =  $0.46A / 2 + 0.62A = 0.85A$

#### (Example 2)

In case of,  $V_{in} = 16.0V$ ,  $L = 10\mu H$ ,  $fsw = 1.2MHz$ ,  $V_{OUT} = 32V$ ,  $I_{LED} = 120mA$ , Efficiency = 88%

$I_{ave} = (32 \times 120m / 16.0) / 88\% = 0.27A$

$T_{on} = (0.27 \times (1 - 16 / 32) \times (1 / 1.2M) \times (10\mu / 16) \times 2)^{1/2} = 0.37\mu s$

$(1 - V_{in} / V_{OUT}) \times (1 / fsw) = 0.41\mu s > T_{on}(0.37\mu s)$  DCM

$I_{peak} = V_{in} / L \times T_{on} = 16 / 10\mu \times 0.37\mu s = 0.59A$

Peak current = 0.59A

\*When too large current is set, output overshoot is caused, be careful enough because it is led to break down of the IC in case of the worst.

#### DCM/CCM calculation

Discontinuous Condition Mode (DCM) and Continuous Condition Mode (CCM) are calculated as following.

CCM:  $L > V_{OUT} \times D \times (1 - D)^2 \times T / (2 \times I_{LED})$

DCM:  $L < V_{OUT} \times D \times (1 - D)^2 \times T / (2 \times I_{LED})$

\* $D = 1 - V_{in} / V_{OUT}$

#### (Example 1)

In case of,  $V_{in} = 7.0V$ ,  $L = 10\mu H$ ,  $fsw = 1.2MHz$ ,  $V_{OUT} = 32V$ ,  $I_{LED} = 120mA$

$V_{OUT} \times D \times (1 - D)^2 \times T / (2 \times I_{LED}) = 32 \times (1 - 7 / 32) \times (7 / 32)^2 \times 1 / (1.2 \times 10^6) / (2 \times 0.12) = 4.15\mu < L(10\mu H)$

→ CCM

#### (Example 2)

In case of,  $V_{in} = 12.0V$ ,  $L = 10\mu H$ ,  $fsw = 1.2MHz$ ,  $V_{OUT} = 32V$ ,  $I_{LED} = 60mA$

$V_{OUT} \times D \times (1 - D)^2 \times T / (2 \times I_{LED}) = 32 \times (1 - 12 / 32) \times (12 / 32)^2 \times 1 / (1.2 \times 10^6) / (2 \times 0.06) = 19.5\mu > L(10\mu H)$

→ DCM

### ●OUTPUT Capacitor selection

Output Capacitor smoothly keeps output voltage and supplies LED current. Output Voltage consists of Charge (FET ON) and Discharge (LED current). So Output voltage has Output ripple Voltage every FET switching. Output ripple voltage is calculated as following.

Output ripple Voltage

- Switching cycle = T
- Switching ON duty = D
- Output Capacitor = COUT
- Decreasing ratio of Capacitor = Cerror
- Total LED current = ILED
- Output ripple Voltage = Vripple
- Output Capacitor (real value) = Creal

$$C_{real} = COUT \times C_{error} \quad (\text{Capacitor value is decreased by Bias, so})$$

$$C_{real} = I_{LED} \times D \times T / V_{ripple}$$

$$COUT = I_{LED} \times D \times T / V_{ripple} / C_{error}$$

(Example 1)

In case of,  $V_{IN}=12.0V$ ,  $f_{sw} = 1.2MHz$ ,  $V_{OUT} = 32V$ ,  $I_{LED} = 120mA$ ,  $COUT = 8.8\mu F$ ,  $C_{error} = 50\%$

$$T = 1 / 1.2MHz$$

$$D = 1 - V_{IN} / V_{OUT} = 1 - 12/32$$

$$\begin{aligned} V_{ripple} &= I_{LED} \times D \times T / (COUT \times C_{error}) = 120mA \times (1-12/32) / 1.2MHz / (8.8\mu F \times 0.5) \\ &= 14.2mV \end{aligned}$$

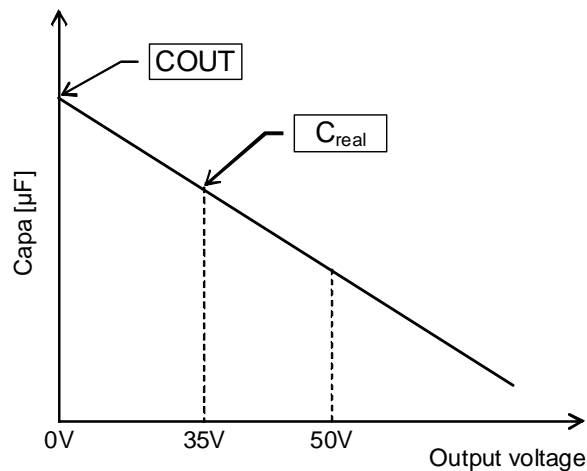


Figure 33. Bias Characteristics of Capacitor

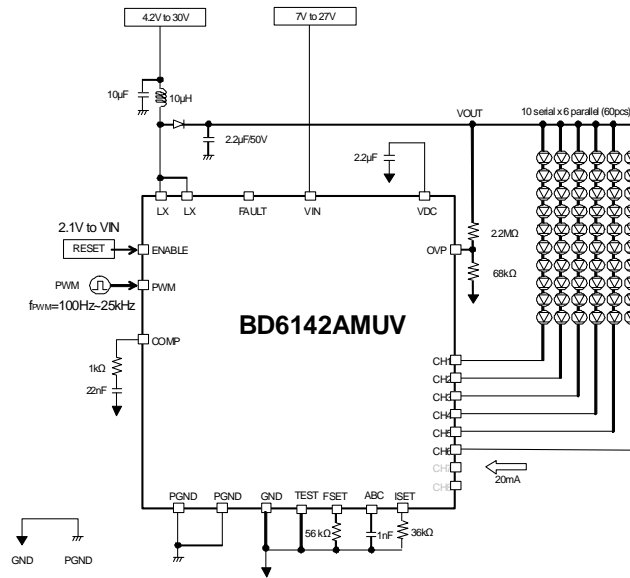
●The separations of the IC Power supply and coil Power supply

This IC can work in separating the power source in both IC power supply and coil power supply. With this application, it can obtain that decrease of IC power consumption, and the applied voltage exceeds IC rating 27V.

That application is shown in below Figure 34. The higher voltage source is applied to the power source of coil that is connected from an adapter etc. Next, the IC power supply is connected with a different coil power supply. Under the conditions for inputting from 4.2V to 5.5V into IC VIN, please follow the recommend design in Figure 34. It connects VIN terminal and VDC terminal together at ICOUTside.

When the coil power supply is applied, it is no any problem even though IC power supply is the state of 0V. Although IC power supply is set to 0V, pull-down resistance is arranged for the power off which cuts off the leak route from coil power supply in IC inside, the leak route is cut off. And, there is no power on-off sequence of coil power supply and IC power supply.

Separate VIN and Coil power supply



Connect VIN and VDC terminals

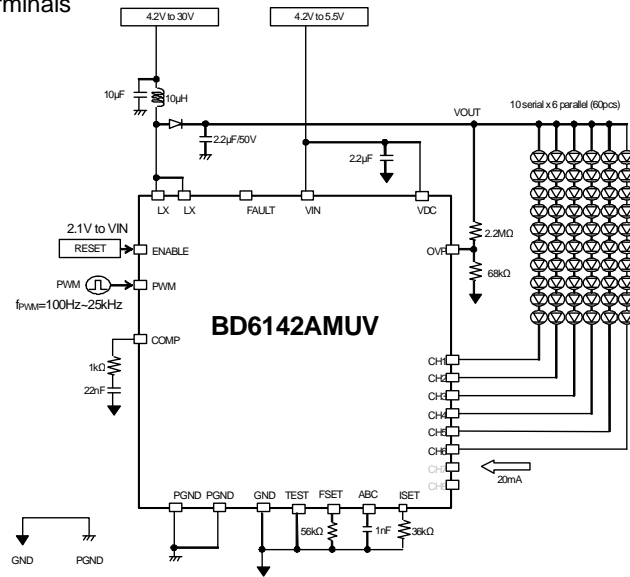


Figure 34. Application at the time of power supply isolation

## ● Layout

In order to make the most of the performance of this IC, its PCB layout is very important. Characteristics such as efficiency and ripple and the likes change greatly with layout patterns, which please note carefully.

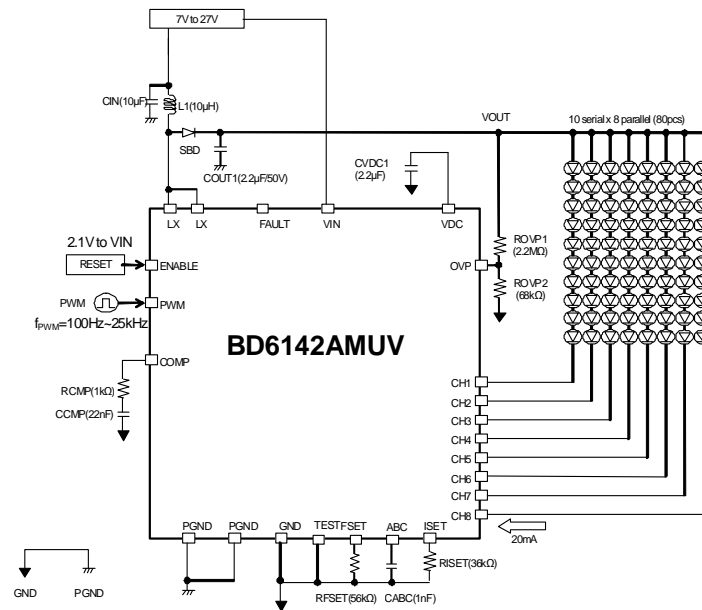


Figure 35. Schematic

### <Input bypass capacitor CIN (10µF)>

Put input bypass capacitor CIN (10µF) as close as possible between coilL1 and PGND pin.

### <Smoothing capacitor CVDC1(2.2µF) of the regulator>

Connect smoothing capacitor CVDC1(2.2µF) as close as possible between VDC pin and GND.

### <Schottky barrier diode SBD>

Connect schottky barrier diode SBD as close as possible between coil1and LX pin.

### <Output capacitor COUT1>

Connect output capacitor COUT1 between cathode of SBD and PGND.

Make both PGND sides of CVIN and COUT1 as close as possible.

### <LED current setting resistor Riset(36kΩ)>>

Connect LED current setting resistor Riset(36kΩ) as close as possible between ISET pin and GND.

**There is possibility to oscillate when capacity is added to ISET terminal, so pay attention that capacity isn't added.**

### <Analog dimming pin smoothing capacitor CABC (1nF)>

Put analog dimming pin smoothing capacitor CABC (1nF) close to ABC pin and do not extend the wiring to prevent noise increasing and also LED current waving.

### <Frequency setting resistor(56KΩ)>

Put frequency setting resistor(56KΩ) as close as possible between FSET pin and GND.

### <Over voltage limit setting resistor ROVP1(2.2MΩ) and ROVP2(68KΩ)

Put over voltage limit setting resistor ROVP1(2.2MΩ) and ROVP2(68KΩ) as close as possible to OVP pin and do not extend the wiring to prevent noise increasing and also detecting over voltage protection in error.

### <GMAMP setting resistor RCMP(1KΩ) and CCMP(1nF) for phase compensation >

Put GMAMP setting resistor RCMP(1KΩ) and CCMP(22nF) as close as possible to COMP pin and do not extend the wiring to prevent noise increasing and also oscillating.

### <Connect to GND and PGND>

GND is analog ground, and PGND is power ground. PGND might cause a lot of noise due to the coil current of PGND.

Try to connect with analog ground, after smoothing with input bypass capacitor CVIN and output capacitor COUT1.

### <Heat radiation of back side PAD>

PAD is used for improving the efficiency of IC heat radiation. Solder PAD to GND pin (analog ground).

Moreover, connect ground plane of board using via as shown in the patterns of next page.

The efficiency of heat radiation improves according to the area of ground plane.

### <Others>

When those pins are not connected directly near the chip, influence is give to the performance of BD6142AMUV, and may limit the current drive performance. As for the wire to the inductor, make its resistance component small so as to reduce electric power consumption and increase the entire efficiency.

● Recommended PCB layout

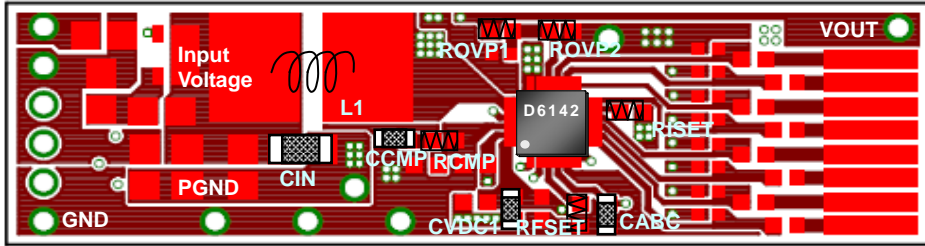


Figure 36. Top Copper trace layer

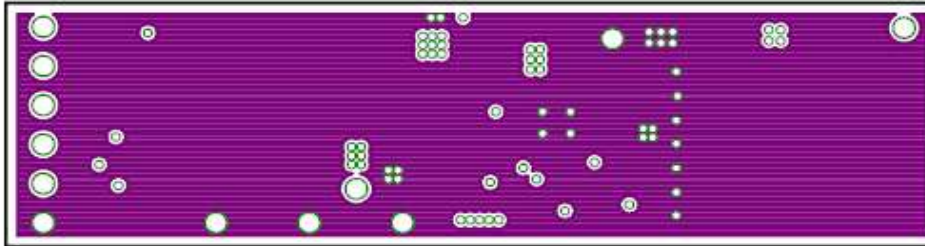


Figure 37. Middle1 Copper trace layer

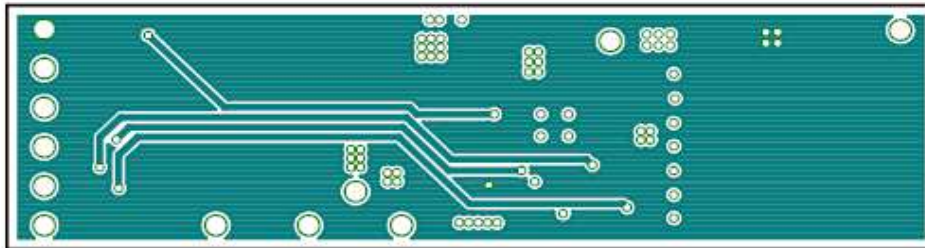


Figure 38. Middle2 Copper trace layer

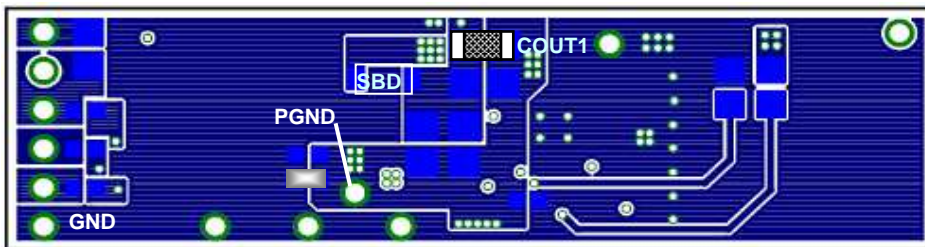


Figure 39. Bottom Copper trace layer

### ● Selection of external parts

Recommended external parts are as shown below.

When to use other parts than these, select the following equivalent parts.

#### • Coil

Value	Manufacturer	Product number	Size (mm)			DC current (mA)	DCR (Ω)
			L	W	H (MAX)		
4.7μH	TDK	LTF5022T-4R7N2R0-LC	5.0	5.2	2.2	2000	0.073
4.7μH	TOKO	A915AY-4R7M	5.2	5.2	3.0	1870	0.045
10μH	TOKO	A915AY-100M	5.2	5.2	3.0	1400	0.140
10μH	TDK	LTF5022T-100M1R4-LC	5.0	5.2	2.2	1400	0.140
10μH	TOKO	B1047AS-100M	7.6	7.6	5.0	2700	0.053

#### • Capacitor

Value	Pressure	Manufacturer	Product number	Size		
				L	W	H
10μF	25V	MURATA	GRM31CB31E106KA75	3.2	1.6	1.6
4.7μF	25V	MURATA	GRM319R61E475K	3.2	1.6	0.85±0.1
2.2μF	50V	TDK	C3225JB1H225K	3.2	2.5	2.0±0.2
2.2μF	50V	MURATA	GRM31CB31H225K	3.2	1.6	1.6
2.2μF	50V	Panasonic	ECJHVB1H225K	3.2	1.6	0.85
2.2μF	10V	MURATA	GRM188B31A225K	1.6	0.8	0.8
0.1μF	50V	MURATA	GRM188B31H104K	1.6	0.8	0.8
0.1μF	10V	MURATA	GRM188B31A104K	1.6	0.8	0.8
0.022μF	10V	MURATA	GRM155B31H223K	1.0	0.5	0.5
470pF	50V	MURATA	GRM155B11H471K	1.0	0.5	0.5

#### • Resistor

Value	Tolerance	Manufacturer	Product number	Size (mm)		
				L	W	H
2.2MΩ	±1.0%	ROHM	MCR03PZPZFX2204	1.6	0.8	0.45
91kΩ	±0.5%	ROHM	MCR03PZPZD9102	1.6	0.8	0.45
75kΩ	±0.5%	ROHM	MCR03PZPZD7502	1.6	0.8	0.45
68kΩ	±0.5%	ROHM	MCR03PZPZD6802	1.6	0.8	0.45
56kΩ	±0.5%	ROHM	MCR03PZPZD5602	1.6	0.8	0.45
36kΩ	±0.5%	ROHM	MCR03PZPZD3602	1.6	0.8	0.45
10kΩ	±1.0%	ROHM	MCR03PZPZF103	1.6	0.8	0.45
1kΩ	±0.5%	ROHM	MCR03PZPZD1002	1.6	0.8	0.45
330Ω	±0.5%	ROHM	MCR03PZPZD3300	1.6	0.8	0.45

#### • SBD

Pressure	Manufacturer	Product number	Size (mm)		
			L	W	H
60V	ROHM	RB160M-60	3.5	1.6	0.8

The coil is the part that is most influential to efficiency. Select the coil whose direct current resistor (DCR) and current - inductance characteristic is excellent. BD6142AMUV is designed for the inductance value of 10μH. Don't use the inductance value less than 3.3μH. Select a capacitor of ceramic type with excellent frequency and temperature characteristics.

Further, select Capacitor to be used with small direct current resistance.

### ● About heat loss

In heat design, operate the DC/DC converter in the following condition.

(The following temperature is a guarantee temperature, so consider the margin.)

1. Ambient temperature Ta must be less than 85°C.
2. The loss of IC must be less than dissipation Pd.



● Application example

- 1. ESD & Flicker (wakeup (duty 5% @200Hz))
  - LED current: 20mA (ISET = 36kΩ)
  - LED: 10 LEDs in series, 3 strings in parallel

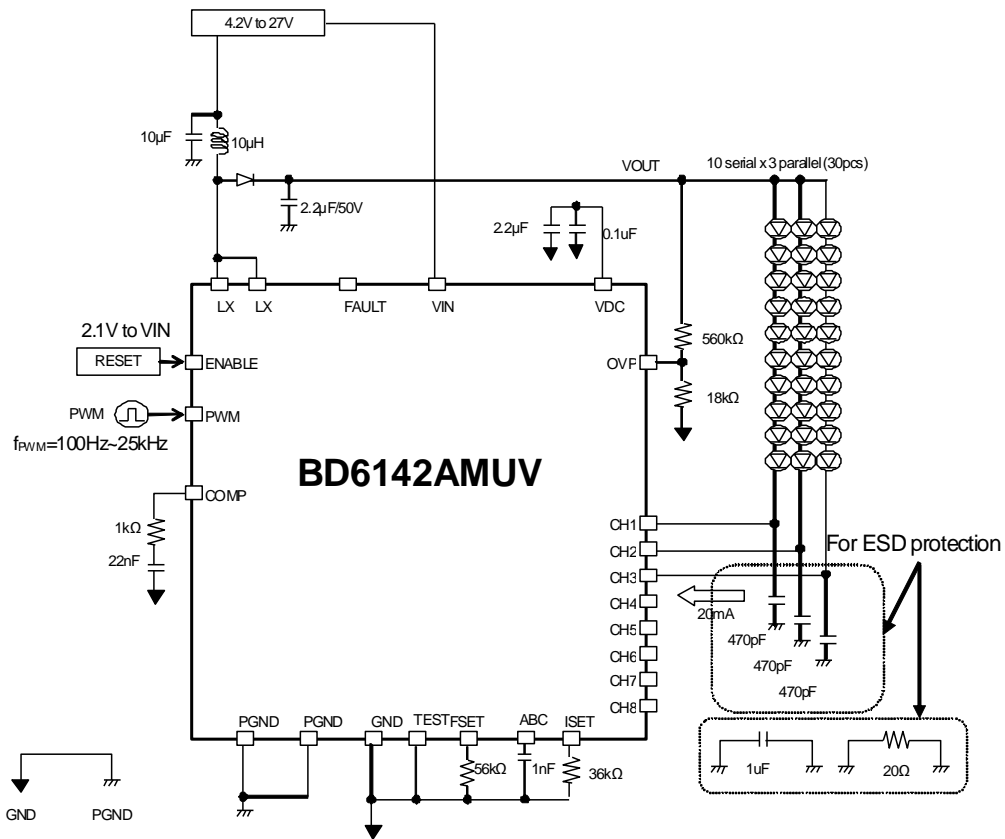


Figure 40. Application example of 10inch panel



Figure 41. Layout example for ESD protection

2. Analog Dimming and monitoring FAULT terminal  
 LED current: 20mA (ISET = 36kΩ)  
 LED: 10 LEDs in series, 8 strings in parallel

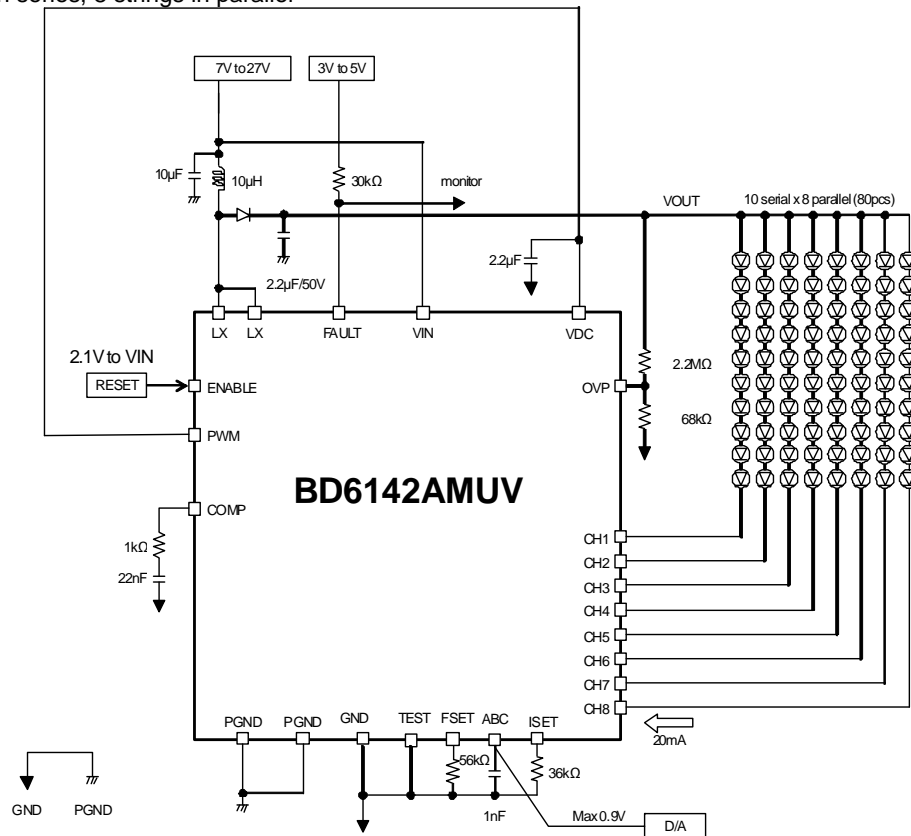


Figure 42. Application example of Analog dimming

3. Application example of CH terminal connected  
 LED current: 20mA (ISET = 36kΩ)  
 LED: 3LEDs x 12 strings

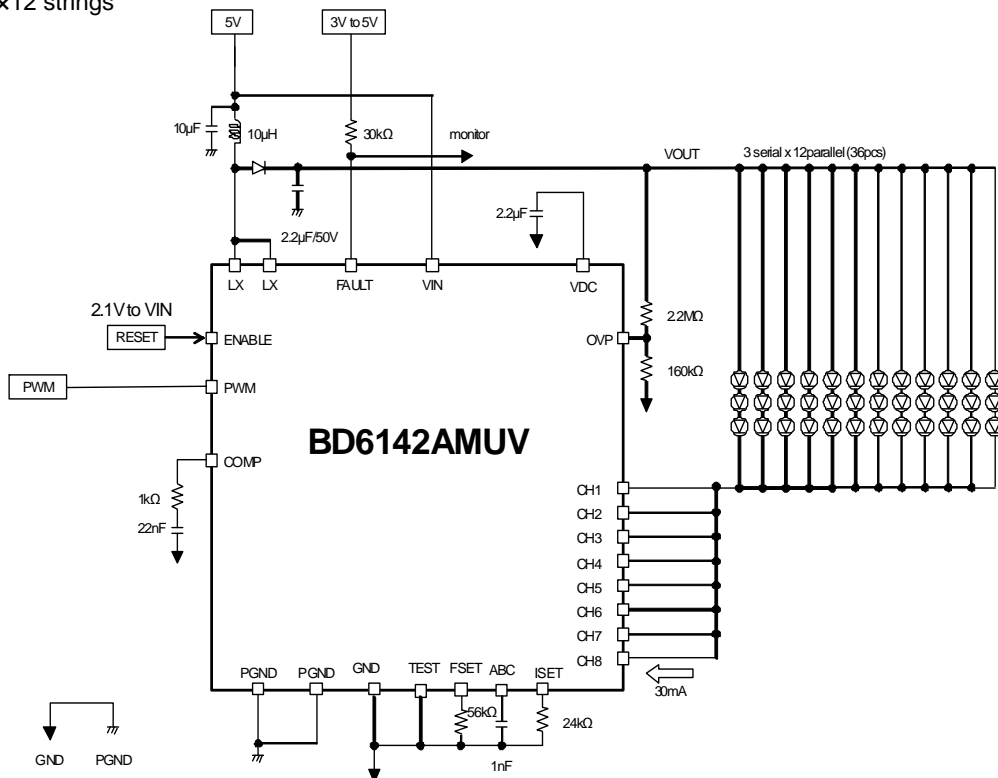


Figure 43. Application example of CH terminal connected

**●Operational Notes**

- (1) Absolute Maximum Ratings  
An excess in the absolute maximum ratings, such as supply voltage, temperature range of operating conditions, etc., can break down devices, thus making impossible to identify breaking mode such as a short circuit or an open circuit. If any special mode exceeding the absolute maximum ratings is assumed, consideration should be given to take physical safety measures including the use of fuses, etc.
- (2) Operating conditions  
These conditions represent a range within which characteristics can be provided approximately as expected. The electrical characteristics are guaranteed under the conditions of each parameter.
- (3) Reverse connection of power supply connector  
The reverse connection of power supply connector can break down ICs. Take protective measures against the breakdown due to the reverse connection, such as mounting an external diode between the power supply and the IC's power supply terminal.
- (4) Power supply line  
Design PCB pattern to provide low impedance for the wiring between the power supply and the GND lines. In this regard, for the digital block power supply and the analog block power supply, even though these power supplies has the same level of potential, separate the power supply pattern for the digital block from that for the analog block, thus suppressing the diffraction of digital noises to the analog block power supply resulting from impedance common to the wiring patterns. For the GND line, give consideration to design the patterns in a similar manner.  
Furthermore, for all power supply terminals to ICs, mount a capacitor between the power supply and the GND terminal. At the same time, in order to use an electrolytic capacitor, thoroughly check to be sure the characteristics of the capacitor to be used present no problem including the occurrence of capacity dropout at a low temperature, thus determining the constant.
- (5) GND voltage  
Make setting of the potential of the GND terminal so that it will be maintained at the minimum in any operating state. Furthermore, check to be sure no terminals are at a potential lower than the GND voltage including an actual electric transient.
- (6) Short circuit between terminals and erroneous mounting  
In order to mount ICs on a set PCB, pay thorough attention to the direction and offset of the ICs. Erroneous mounting can break down the ICs. Furthermore, if a short circuit occurs due to foreign matters entering between terminals or between the terminal and the power supply or the GND terminal, the ICs can break down.
- (7) Operation in strong electromagnetic field  
Be noted that using ICs in the strong electromagnetic field can malfunction them.
- (8) Inspection with set PCB  
On the inspection with the set PCB, if a capacitor is connected to a low-impedance IC terminal, the IC can suffer stress. Therefore, be sure to discharge from the set PCB by each process. Furthermore, in order to mount or dismount the set PCB to/from the jig for the inspection process, be sure to turn OFF the power supply and then mount the set PCB to the jig. After the completion of the inspection, be sure to turn OFF the power supply and then dismount it from the jig. In addition, for protection against static electricity, establish a ground for the assembly process and pay thorough attention to the transportation and the storage of the set PCB.
- (9) Input terminals  
In terms of the construction of IC, parasitic elements are inevitably formed in relation to potential. The operation of the parasitic element can cause interference with circuit operation, thus resulting in a malfunction and then breakdown of the input terminal. Therefore, pay thorough attention not to handle the input terminals, such as to apply to the input terminals a voltage lower than the GND respectively, so that any parasitic element will operate. Furthermore, do not apply a voltage to the input terminals when no power supply voltage is applied to the IC. In addition, even if the power supply voltage is applied, apply to the input terminals a voltage lower than the power supply voltage or within the guaranteed value of electrical characteristics.
- (10) Ground wiring pattern  
If small-signal GND and large-current GND are provided, It will be recommended to separate the large-current GND pattern from the small-signal GND pattern and establish a single ground at the reference point of the set PCB so that resistance to the wiring pattern and voltage fluctuations due to a large current will cause no fluctuations in voltages of the small-signal GND. Pay attention not to cause fluctuations in the GND wiring pattern of external parts as well.

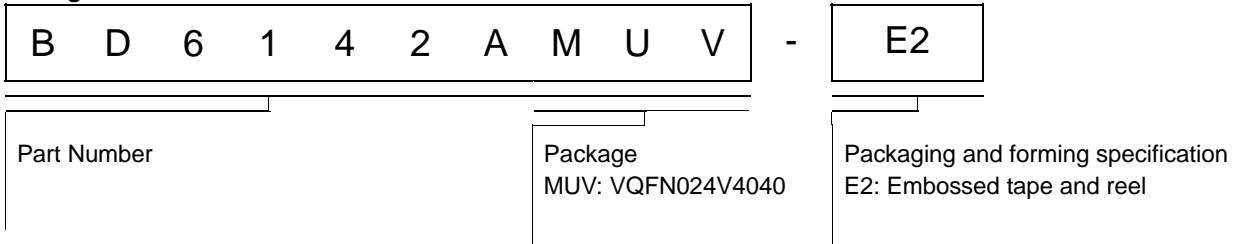
- (11) External capacitor  
In order to use a ceramic capacitor as the external capacitor, determine the constant with consideration given to a degradation in the nominal capacitance due to DC bias and changes in the capacitance due to temperature, etc.
- (12) Thermal shutdown circuit (TSD)  
When junction temperatures become 130°C (typ.) or higher, the thermal shutdown circuit operates and turns a switch OFF. The thermal shutdown circuit, which is aimed at isolating the LSI from thermal runaway as much as possible, is not aimed at the protection or guarantee of the LSI. Therefore, do not continuously use the LSI with this circuit operating or use the LSI assuming its operation.
- (13) Thermal design  
Perform thermal design in which there are adequate margins by taking into account the permissible dissipation (Pd) in actual states of use.
- (14) Selection of coil  
Select the low DCR inductors to decrease power loss for DC/DC converter.

#### Status of this document

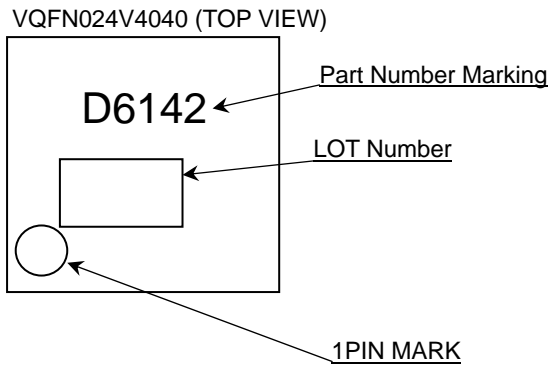
The Japanese version of this document is formal specification. A customer may use this translation version only for a reference to help reading the formal version.

If there are any differences in translation version of this document formal version takes priority.

● Ordering Information

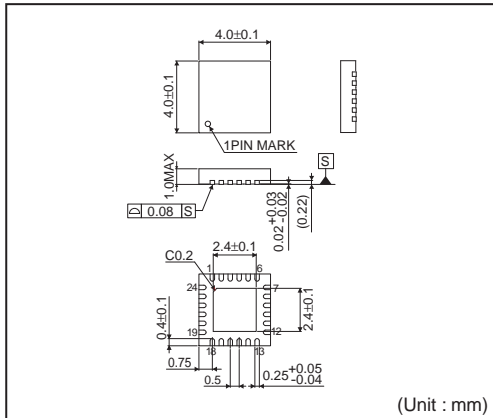


● Marking Diagram



● Physical Dimension Tape and Reel Information

VQFN024V4040



<Tape and Reel information>

Tape	Embossed carrier tape
Quantity	2500pcs
Direction of feed	E2 ( The direction is the 1pin of product is at the upper left when you hold reel on the left hand and you pull out the tape on the right hand )

Reel

1pin

Direction of feed

\* Order quantity needs to be multiple of the minimum quantity.

## ●Revision History

Date	Revision	Changes
03.Dec.2012	001	New Release

# Notice

## Precaution on using ROHM Products

- Our Products are designed and manufactured for application in ordinary electronic equipments (such as AV equipment, OA equipment, telecommunication equipment, home electronic appliances, amusement equipment, etc.). If you intend to use our Products in devices requiring extremely high reliability (such as medical equipment <sup>(Note 1)</sup>, transport equipment, traffic equipment, aircraft/spacecraft, nuclear power controllers, fuel controllers, car equipment including car accessories, safety devices, etc.) and whose malfunction or failure may cause loss of human life, bodily injury or serious damage to property ("Specific Applications"), please consult with the ROHM sales representative in advance. Unless otherwise agreed in writing by ROHM in advance, ROHM shall not be in any way responsible or liable for any damages, expenses or losses incurred by you or third parties arising from the use of any ROHM's Products for Specific Applications.

(Note1) Medical Equipment Classification of the Specific Applications

JAPAN	USA	EU	CHINA
CLASS III	CLASS III	CLASS II b	CLASS III
CLASS IV		CLASS III	

- ROHM designs and manufactures its Products subject to strict quality control system. However, semiconductor products can fail or malfunction at a certain rate. Please be sure to implement, at your own responsibilities, adequate safety measures including but not limited to fail-safe design against the physical injury, damage to any property, which a failure or malfunction of our Products may cause. The following are examples of safety measures:
  - Installation of protection circuits or other protective devices to improve system safety
  - Installation of redundant circuits to reduce the impact of single or multiple circuit failure
- Our Products are designed and manufactured for use under standard conditions and not under any special or extraordinary environments or conditions, as exemplified below. Accordingly, ROHM shall not be in any way responsible or liable for any damages, expenses or losses arising from the use of any ROHM's Products under any special or extraordinary environments or conditions. If you intend to use our Products under any special or extraordinary environments or conditions (as exemplified below), your independent verification and confirmation of product performance, reliability, etc. prior to use, must be necessary:
  - Use of our Products in any types of liquid, including water, oils, chemicals, and organic solvents
  - Use of our Products outdoors or in places where the Products are exposed to direct sunlight or dust
  - Use of our Products in places where the Products are exposed to sea wind or corrosive gases, including Cl<sub>2</sub>, H<sub>2</sub>S, NH<sub>3</sub>, SO<sub>2</sub>, and NO<sub>2</sub>
  - Use of our Products in places where the Products are exposed to static electricity or electromagnetic waves
  - Use of our Products in proximity to heat-producing components, plastic cords, or other flammable items
  - Sealing or coating our Products with resin or other coating materials
  - Use of our Products without cleaning residue of flux (even if you use no-clean type fluxes, cleaning residue of flux is recommended); or Washing our Products by using water or water-soluble cleaning agents for cleaning residue after soldering
  - Use of the Products in places subject to dew condensation
- The Products are not subject to radiation-proof design.
- Please verify and confirm characteristics of the final or mounted products in using the Products.
- In particular, if a transient load (a large amount of load applied in a short period of time, such as pulse. is applied, confirmation of performance characteristics after on-board mounting is strongly recommended. Avoid applying power exceeding normal rated power; exceeding the power rating under steady-state loading condition may negatively affect product performance and reliability.
- De-rate Power Dissipation (Pd) depending on Ambient temperature (Ta). When used in sealed area, confirm the actual ambient temperature.
- Confirm that operation temperature is within the specified range described in the product specification.
- ROHM shall not be in any way responsible or liable for failure induced under deviant condition from what is defined in this document.

## Precaution for Mounting / Circuit board design

- When a highly active halogenous (chlorine, bromine, etc.) flux is used, the residue of flux may negatively affect product performance and reliability.
- In principle, the reflow soldering method must be used; if flow soldering method is preferred, please consult with the ROHM representative in advance.

For details, please refer to ROHM Mounting specification

**Precautions Regarding Application Examples and External Circuits**

1. If change is made to the constant of an external circuit, please allow a sufficient margin considering variations of the characteristics of the Products and external components, including transient characteristics, as well as static characteristics.
2. You agree that application notes, reference designs, and associated data and information contained in this document are presented only as guidance for Products use. Therefore, in case you use such information, you are solely responsible for it and you must exercise your own independent verification and judgment in the use of such information contained in this document. ROHM shall not be in any way responsible or liable for any damages, expenses or losses incurred by you or third parties arising from the use of such information.

**Precaution for Electrostatic**

This Product is electrostatic sensitive product, which may be damaged due to electrostatic discharge. Please take proper caution in your manufacturing process and storage so that voltage exceeding the Products maximum rating will not be applied to Products. Please take special care under dry condition (e.g. Grounding of human body / equipment / solder iron, isolation from charged objects, setting of Ionizer, friction prevention and temperature / humidity control).

**Precaution for Storage / Transportation**

1. Product performance and soldered connections may deteriorate if the Products are stored in the places where:
  - [a] the Products are exposed to sea winds or corrosive gases, including Cl<sub>2</sub>, H<sub>2</sub>S, NH<sub>3</sub>, SO<sub>2</sub>, and NO<sub>2</sub>
  - [b] the temperature or humidity exceeds those recommended by ROHM
  - [c] the Products are exposed to direct sunshine or condensation
  - [d] the Products are exposed to high Electrostatic
2. Even under ROHM recommended storage condition, solderability of products out of recommended storage time period may be degraded. It is strongly recommended to confirm solderability before using Products of which storage time is exceeding the recommended storage time period.
3. Store / transport cartons in the correct direction, which is indicated on a carton with a symbol. Otherwise bent leads may occur due to excessive stress applied when dropping of a carton.
4. Use Products within the specified time after opening a humidity barrier bag. Baking is required before using Products of which storage time is exceeding the recommended storage time period.

**Precaution for Product Label**

QR code printed on ROHM Products label is for ROHM's internal use only.

**Precaution for Disposition**

When disposing Products please dispose them properly using an authorized industry waste company.

**Precaution for Foreign Exchange and Foreign Trade act**

Since our Products might fall under controlled goods prescribed by the applicable foreign exchange and foreign trade act, please consult with ROHM representative in case of export.

**Precaution Regarding Intellectual Property Rights**

1. All information and data including but not limited to application example contained in this document is for reference only. ROHM does not warrant that foregoing information or data will not infringe any intellectual property rights or any other rights of any third party regarding such information or data. ROHM shall not be in any way responsible or liable for infringement of any intellectual property rights or other damages arising from use of such information or data.:
2. No license, expressly or implied, is granted hereby under any intellectual property rights or other rights of ROHM or any third parties with respect to the information contained in this document.

**Other Precaution**

1. This document may not be reprinted or reproduced, in whole or in part, without prior written consent of ROHM.
2. The Products may not be disassembled, converted, modified, reproduced or otherwise changed without prior written consent of ROHM.
3. In no event shall you use in any way whatsoever the Products and the related technical information contained in the Products or this document for any military purposes, including but not limited to, the development of mass-destruction weapons.
4. The proper names of companies or products described in this document are trademarks or registered trademarks of ROHM, its affiliated companies or third parties.



**General Precaution**

1. Before you use our Products, you are requested to carefully read this document and fully understand its contents. ROHM shall not be in any way responsible or liable for failure, malfunction or accident arising from the use of any ROHM's Products against warning, caution or note contained in this document.
2. All information contained in this document is current as of the issuing date and subject to change without any prior notice. Before purchasing or using ROHM's Products, please confirm the latest information with a ROHM sales representative.
3. The information contained in this document is provided on an "as is" basis and ROHM does not warrant that all information contained in this document is accurate and/or error-free. ROHM shall not be in any way responsible or liable for any damages, expenses or losses incurred by you or third parties resulting from inaccuracy or errors of or concerning such information.