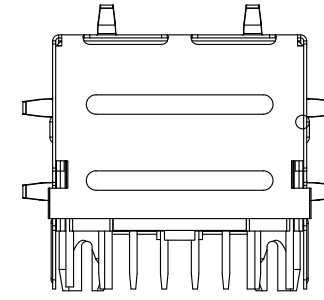
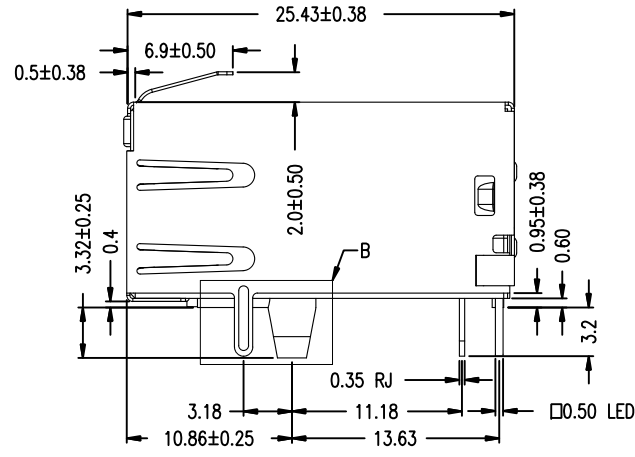
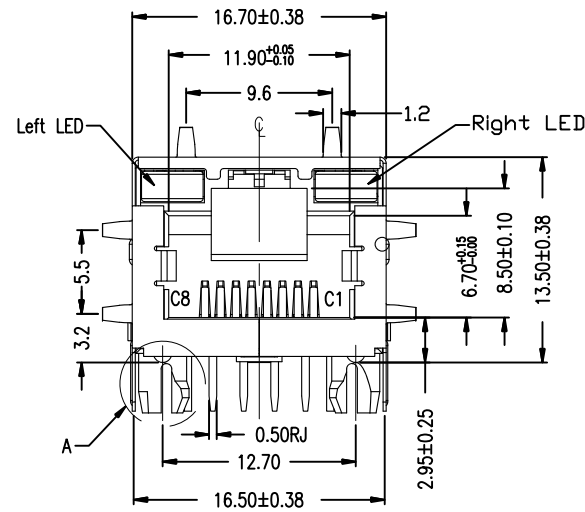


This document is the property of Amphenol Corporation and is delivered on the express condition that is not to be disclosed, reproduced or used, in whole or in part, for manufacture or sale by anyone other than Amphenol Corporation without its prior consent, and that no right is granted to disclose or to use any information in this document.

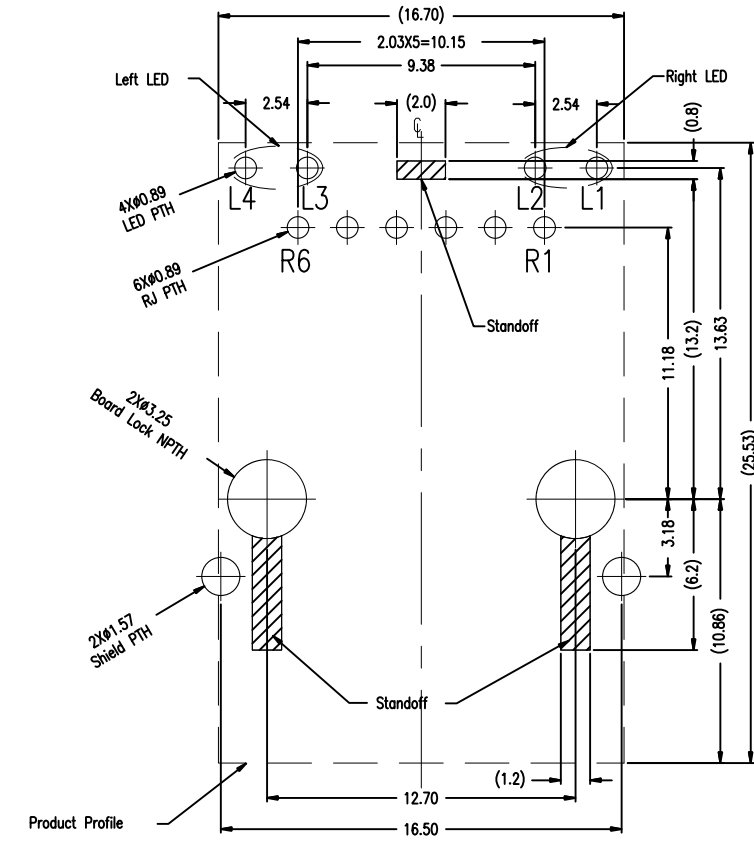
The marking on this product doesn't contain environmental hazardous materials per Material Specification SS-00259 for Sony GP compliant or per directive 2011/65/EU for RoHS compliant.

CUSTOMER DRAWING

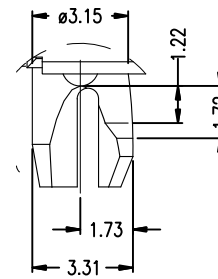
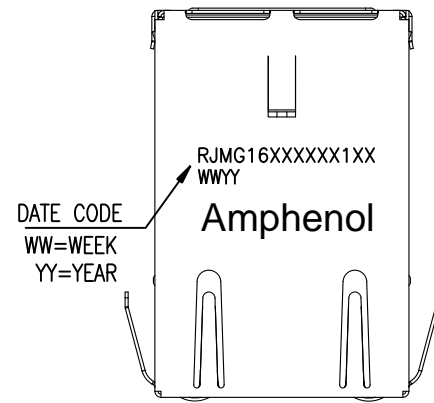
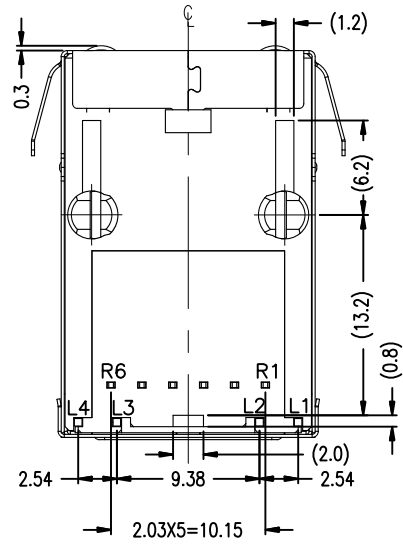
REVISIONS				
SYM	ECN No.	DESCRIPTION	DATE	APPROVED
C	NE-13016	ADD THE SCHEMATIC FOR ALL OPTIONS	01/24/2013	Roger Tsai
D	NE-14155	ADD LED OPTIONS	01/29/2015	Roger Tsai



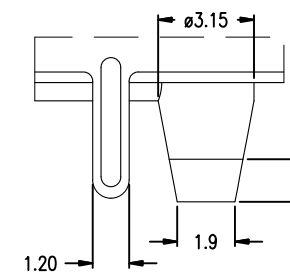
Back View



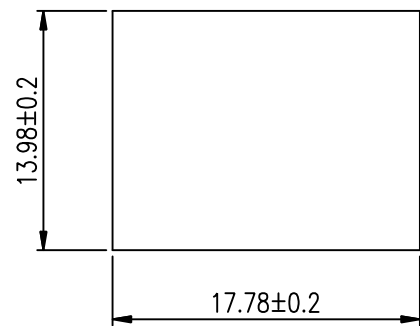
RECOMMENDED PCB LAYOUT
(ALL TOLERANCES ARE ±0.05)



Detail A



Detail B



RECOMMENDED PANEL CUTOUT

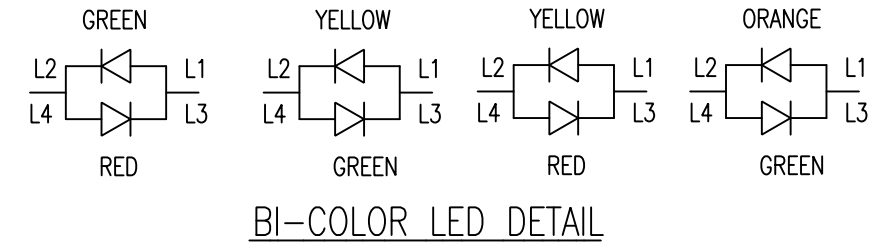
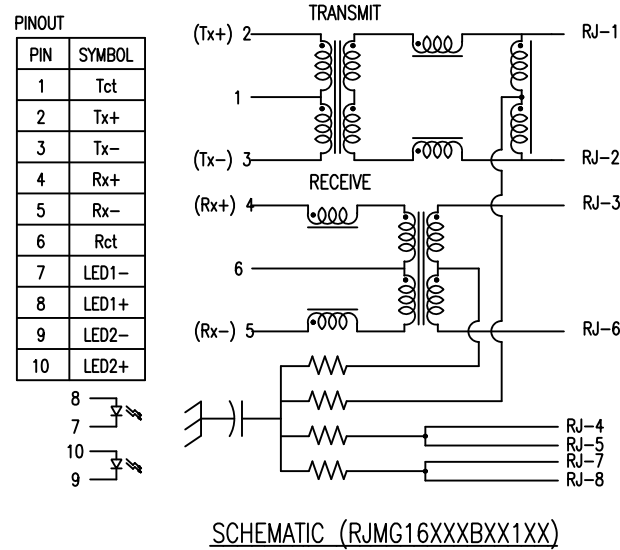
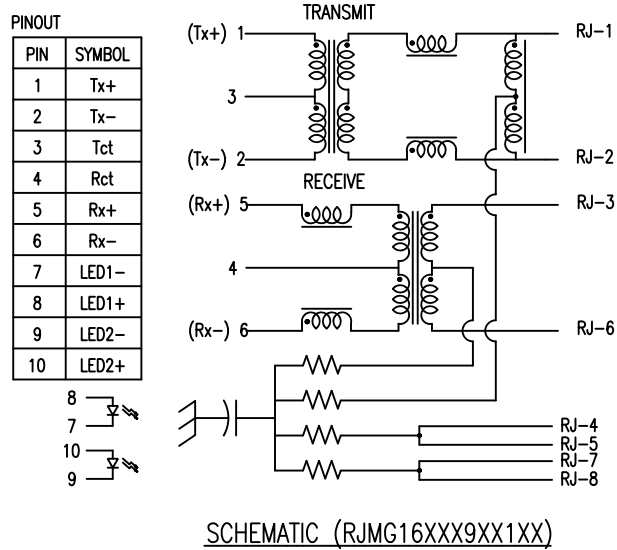
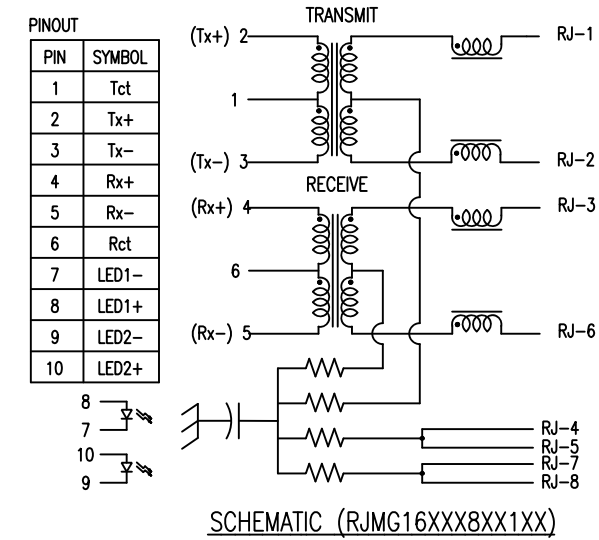
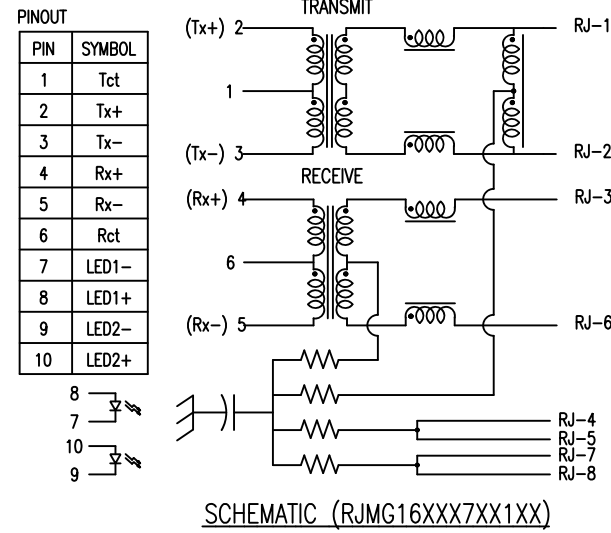
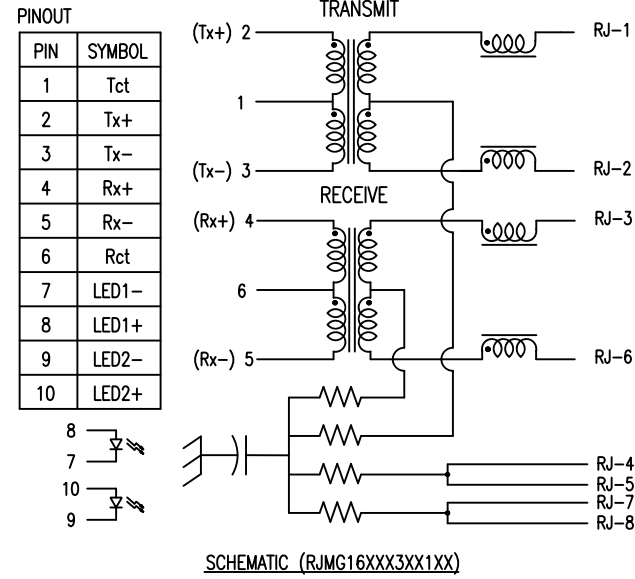
TOLERANCE	APPROVALS	DATE	TITLE		Amphenol®		
X. ±0.35	DRAWN Devin Yen	01/29/2015	SINGLE PORT RJMAG CONNECTOR SHIELD, WITH R&C TERMINATION 10/100		Amphenol Corporation Amphenol Taiwan Corporation		
X.X ±0.25	CHECKED Vivian Wen	01/29/2015					
X.XX ±0.15	APPROVED Roger Tsai	01/29/2015		UNIT mm	SIZE A3	PART No. RJMG16XXXXXX1XX	
ANGULAR ±1°	DWG TYPE CUST DWG	PROJECT CODE GT278		SCALE NA	SHEET 1 OF 4	DWG No. RJMG16XXXXXX1XX	REV. D
UNLESS OTHERWISE SPECIFIED							

This document is the property of Amphenol Corporation and is delivered on the express condition that is not to be disclosed, reproduced or used, in whole or in part, for manufacture or sale by anyone other than Amphenol Corporation without its prior consent, and that no right is granted to disclose or to use any information in this document.

The marking on this product doesn't contain environmental hazardous materials per Material Specification SS-00259 for Sony GP compliant or per directive 2011/65/EU for RoHS compliant.

CUSTOMER DRAWING

REVISIONS				
SYM	ECN No.	DESCRIPTION	DATE	APPROVED
C	NE-13016	ADD THE SCHEMATIC FOR ALL OPTIONS	01/24/2013	Roger Tsai
D	NE-14155	ADD LED OPTIONS	01/29/2015	Roger Tsai



TOLERANCE	APPROVALS	DATE	TITLE				
X.	DRAWN Devin Yen	01/29/2015	SINGLE PORT RJmag CONNECTOR SHIELD, WITH R&C TERMINATION 10/100	<div style="text-align: right;"> <h2>Amphenol®</h2> <p>Amphenol Corporation Amphenol Taiwan Corporation</p> </div>			
X.X ±0.35							
X.XX ±0.25	APPROVED Roger Tsai	01/29/2015		UNIT	SIZE	PART No.	
X.XXX ±0.15				ANGULAR ±1°	mm	A3	RJMG16XXXXXX1XX
UNLESS OTHERWISE SPECIFIED	DWG TYPE CUST DWG	PROJECT CODE GT278	SCALE NA	SHEET 2 OF 4	DWG No. RJMG16XXXXXX1XX	REV. D	

This document is the property of Amphenol Corporation and is delivered on the express condition that is not to be disclosed, reproduced or used, in whole or in part, for manufacture or sale by anyone other than Amphenol Corporation without its prior consent, and that no right is granted to disclose or to use any information in this document.

The marking on this product doesn't contain environmental hazardous materials per Material Specification SS-00259 for Sony GP compliant or per directive 2011/65/EU for RoHS compliant.

CUSTOMER DRAWING

REVISIONS				
SYM	ECN No.	DESCRIPTION	DATE	APPROVED
C	NE-13016	ADD THE SCHEMATIC FOR ALL OPTIONS	01/24/2013	Roger Tsai
D	NE-14155	ADD LED OPTIONS	01/29/2015	Roger Tsai

MATERIALS:

INSULATOR: THERMOPLASTIC POLYESTER,NYLON
 COLOR: BLACK
 FLAMMABILITY RATING UL 94V-0

CONTACTS (RJ MAG): PHOSPHOR BRONZE
 PLATING: SELECTIVE GOLD OVER MATING SURFACES.
 100 MICRINCHES TIN PLATING ON TAILS.

SHIELD: STAINLESS STEEL T=0.2MM .

DIMENSIONS MARKED WITH "*" SHALL BE MEASURED.

MECHANICAL FEATURES:

SOLDERABILITY: MIL-STD-202,METHOD 208.

MATING/UNMATING FORCE:

RJ PORT

MATING/UNMATING 2.1Kg MAX

RETENTION FORCE FOR RJ PORT: 5Kg FOR 1 MINUTE

MEET FCC PART 68.500 REQUIREMENTS.

Environmental

OPERATING TEMPERATURE: 0°C TO +70°C.

STORAGE TEMPERATURE: -40°C TO +85°C.

SOLDERING TEMPERATURE: 260°C FOR 10 SECONDS

ALTITUDE OPERATING RANGE: SEA LEVEL TO 3000m

Humidity: per MIL-STD-1344A,method 1002.1, test condition B

Thermal Shock: per MIL-STD-1344A,method 1003.1, test condition A

Vibration: per MIL-STD-1344A,method 2005.1, test condition J

Mechanical Shock: per MIL-STD-1344A,method 2004.1, test condition C

Salt Spray: 24 hours per MIL-STD-1344A,method 1001.1, test condition B

RJMG1-6 X X X - X X -X 1 X X

SHIELD OPTIONS
 3: STANDARD SHIELD WITH SIDE TABS

LED1 (RIGHT SIDE)

- 0: W/O LED
- 1: GREEN
- 2: YELLOW
- 4: GREEN/YELLOW
- 6: GREEN/ORANGE

LED2 (LEFT SIDE)
 SEE LED1

TERMINATION OPTIONS

- 3: SEE THE SCHEMATIC IN PAGE 2.
- 7: SEE THE SCHEMATIC IN PAGE 2.
- 8: SEE THE SCHEMATIC IN PAGE 2.
- 9: SEE THE SCHEMATIC IN PAGE 2.
- B: SEE THE SCHEMATIC IN PAGE 2.

COMPLIANCE CODE

BLANCK: NONE-ROHS
 R: RoHS Compliant

PLATING THICKNESS ON MATING CONTACTS AND SHIELD SPEC

- L: Gold Flash, STAINLESS STEEL T=0.2MM .
- M: Gold 15μ in, STAINLESS STEEL T=0.2MM .
- N: Gold 30μ in, STAINLESS STEEL T=0.2MM .

TIA WIRING
 0: STANDARD

URNS RATIO (TRANSMIT)

1: 1:1

TOLERANCE	APPROVALS	DATE	TITLE		Amphenol®			
X. X.X ±0.35 X.XX ±0.25 X.XXX ±0.15	DRAWN Devin Yen	01/29/2015	SINGLE PORT RJmag CONNECTOR SHIELD, WITH R&C TERMINATION		Amphenol Corporation Amphenol Taiwan Corporation			
	CHECKED Vivian Wen	01/29/2015	10/100					
ANGULAR ±1°	APPROVED Roger Tsai	01/29/2015		UNIT mm	SIZE A3	PART No. RJMG16XXXXXX1XX		
UNLESS OTHERWISE SPECIFIED	DWG TYPE CUST DWG	PROJECT CODE GT278		SCALE NA	SHEET 3 OF 4	DWG No. RJMG16XXXXXX1XX		REV. D

This document is the property of Amphenol Corporation and is delivered on the express condition that is not to be disclosed, reproduced or used, in whole or in part, for manufacture or sale by anyone other than Amphenol Corporation without its prior consent, and that no right is granted to disclose or to use any information in this document.

The marking on this product doesn't contain environmental hazardous materials per Material Specification SS-00259 for Sony GP compliant or per directive 2011/65/EU for RoHS compliant.

CUSTOMER DRAWING


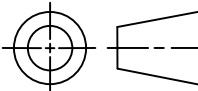
REVISIONS				
SYM	ECN No.	DESCRIPTION	DATE	APPROVED
C	NE-13016	ADD THE SCHEMATIC FOR ALL OPTIONS	01/24/2013	Roger Tsai
D	NE-14155	ADD LED OPTIONS	01/29/2015	Roger Tsai

TURN RATIO 1:1±5%

PARAMETER	TYPE	LIMITS (MAX. OR MIN.)	FREQUENCY RANGE/ TEST CONDITIONS
INSERTION LOSS (RX/TX)	-0.8dB TYP.	-1.0dB MAX.	1-100 MHz
RETURN LOSS (RX/TX)	-22dB TYP. -18dB TYP. -12dB TYP.	-18dB MIN. -18+20log(f/30)dB MIN. -12dB MIN.	1-30 MHz 30-60 MHz 60-80 MHz
DC RESISTANCE	0.5 ohm MIN.	1.0 ohm MAX full 0.5 ohm MAX half	DC
CM-CM REJECTION	-40dB TYP.	-30dB MIN.	0-100MHz
CM-DM REJECTION	-40dB TYP.	-35dB MIN.	0-100MHz
CROSSTALK (PAIR TO PAIR)	-38dB TYP.	-35dB MIN.	0-100MHz
HIPOT (ISOLATION)	2.25KV/1.5KVrms.	2.25KV/1.5KVrms.	60S DC/AC
OCL	500uH TYP.	350uH MIN.	100KHz 8mV DC BIAS

LED PERFORMANCE:

PARAMETER	SINGLE COLOUR		BICOLOUR		UNITS
	GREEN	YELLOW	GREEN	ORANGE	
FORWARD CURRENT IF MAX	30	30	30		mA
REVERSE CURRENT IR MAX	10	10	10		uA
REVERSE VOLTAGE VR MAX	-5	-5	-5		V
T OPERATURE TOP	-40~+85	-40~+85	-40~+85		℃
T SOLDERING TURE TS	260+/-5	260+/-5	260+/-5		℃
POWER DISS. Pd	100	100	100		mW
PEAK WAVELENGTH	565	585	565	605	nM
FORWARD VOLTAGE TYP	2.5	2.1	2.2	2.0	V
FORWARD VOLTAGE MAX	2.9	2.6	2.6	2.6	V

TOLERANCE	APPROVALS	DATE	TITLE	Amphenol® Amphenol Corporation Amphenol Taiwan Corporation			
X. X.X ±0.35 X.XX ±0.25 X.XXX ±0.15	DRAWN Devin Yen	01/29/2015	SINGLE PORT RJmag CONNECTOR SHIELD, WITH R&C TERMINATION 10/100				
	CHECKED Vivian Wen	01/29/2015					
ANGULAR ±1°	APPROVED Roger Tsai	01/29/2015		UNIT mm	SIZE A3	PART No. RJMG16XXXXXX1XX	
UNLESS OTHERWISE SPECIFIED	DWG TYPE CUST DWG	PROJECT CODE GT278		SCALE NA	SHEET 4 OF 4	DWG No. RJMG16XXXXXX1XX	REV. D