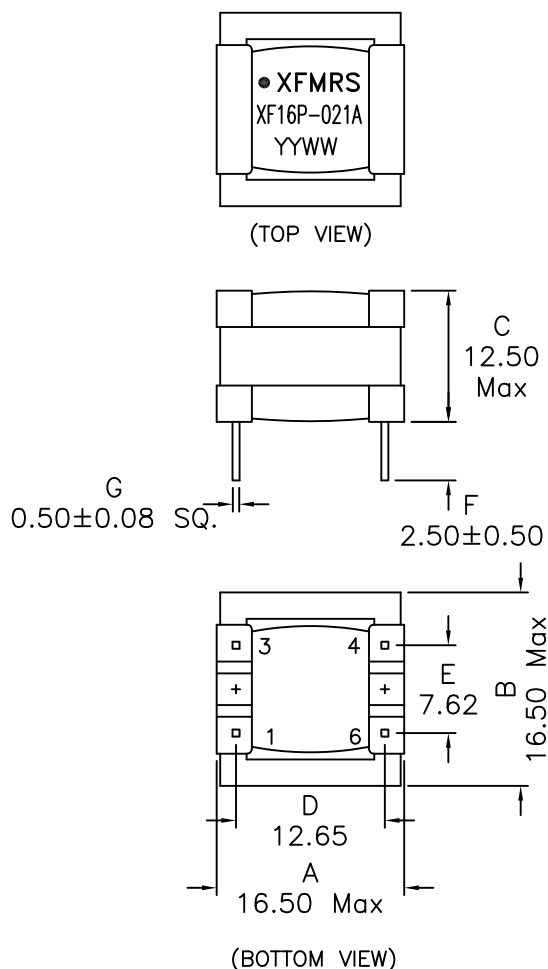


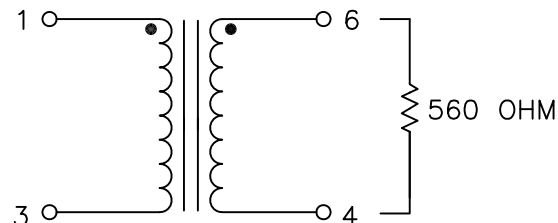
## 1. Mechanical Dimensions:



### Notes:

1. Solderability: Leads shall meet MIL-STD-202G, Method 208H for solderability.
2. Flammability: UL94V-0
3. ASTM oxygen index: > 28%
4. Insulation System: Class F 155°C. UL file E151556
5. Operating Temperature Range: All listed parameters are to be within tolerance from -40°C to +85°C
6. Storage Temperature Range: -55°C to +125°C
7. Aqueous wash compatible
8. Electrical and mechanical specifications 100% tested
9. RoHS Compliant Component

## 2. Schematic:



## 3. Electrical Specifications: @25°C

OCL: Pins 1-3 7.0H Min @1KHz 1.0V, Lp

LL: Pins 1-3 5mH Max @1KHz 1.0V, Ls (Short Pins 6-4)

Turns Ratio: Pins (1-3):(6-4)= 1.00:1.00 ±1%

DCR: Pins 1-3 65 Ohms ±8%

Pins 6-4 65 Ohms ±8%

Insertion Loss: 1.15dB Typ @1KHz 1.0V.

Return Loss: 20dB Typ 300-4000Hz (REF. 600 Ohms).

Frequency Response: ±0.20dB 300-4000Hz (REF. 1KHz).

Hipot: 3750VAC Wdg to Wdg

Hipot: 2000VAC Pin 1 to Core

DOC. REV: A/4

<b>XFMRs Inc</b> www.XFMRs.com		Title: <b>MODEM TRANSFORMER</b>	
UNLESS OTHERWISE SPECIFIED TOLERANCES: .xx ±0.20 Dimensions in MM		P/N: XF16P-021A	REV. A
		DWN.	Yuan
		CHK.	YK Liao
SHEET 1 OF 1		APP.	BSJ
			Mar-20-13
			Mar-20-13
			Mar-20-13

**PROPRIETARY**

Document is the property of XFMRs Group & is not allowed to be duplicated without authorization.