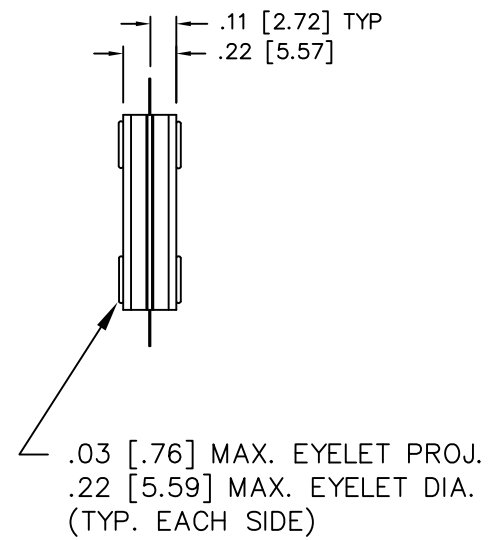
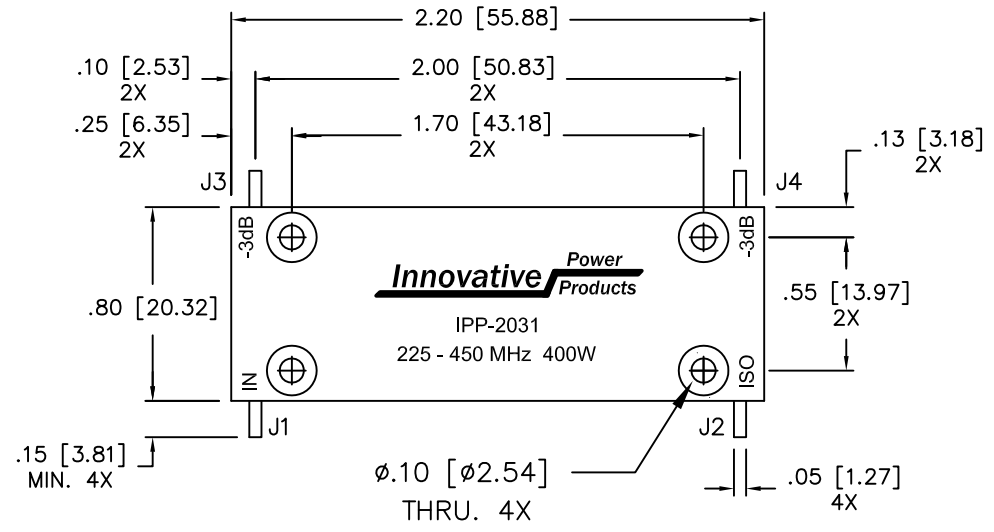


UNAUTHORIZED USE OF THIS  
DRAWING IS STRICTLY PROHIBITED

DAR	REV	DESCRIPTION	APPVD	DATE
1082	A	INITIAL RELEASE	TJD	4/06
1085	B	CHANGE PACKAGE SIZE	TJD	4/06
1453	C	REVISE SPECIFICATIONS	DG	6/08
1753	D	SEE DAR	DG	2-09
4556	E	SEE DAR	DG	9-13



**ELECTRICAL SPECIFICATIONS**

FREQUENCY:	225 - 450 MHz.
INSERTION LOSS:	< 0.25 dB
VSWR:	< 1.25:1
ISOLATION:	> 20 dB
AMPLITUDE BALANCE:	±0.50 dB
PHASE BALANCE:	±5°
POWER:	400 WATT
TEMPERATURE:	-55°C TO 85°C

- NOTES:**
- LEAD MATERIAL: 99.99% PURE SILVER .005 [.127] THICK.
  - SEE 90° APPLICATION NOTE FOR FURTHER INFORMATION.
  - RoHS COMPLIANT.
  - DATA AND SPECIFICATIONS APPLY WHEN PART IS MOUNTED IN IPP TEST FIXTURE TF-1001. TEST FIXTURE CONFIGURATION/FOOTPRINT AVAILABLE ON REQUEST.

PORT CONFIGURATION				
INPUT	J1	J2	J3	J4
J1	---	ISOLATION	-3dB<0 DEG	-3dB<-90 DEG
J2	ISOLATION	---	-3dB<-90 DEG	-3dB<0 DEG
J3	-3dB<0 DEG	-3dB<-90 DEG	---	ISOLATION
J4	-3dB<-90 DEG	-3dB<0 DEG	ISOLATION	---

MATERIAL AL. ALLOY, 6061-T6	DWN	DG	DATE	4/06	<b>Innovative Power Products</b>		
	ENG	TJD	DATE	4/06			
FINISH CHEM FILM, CLEAR, PER MIL-DTL-5541, TYPE 2, REV. F, CLASS 3 (ROHS COMPLIANT)	MANUF	TP	DATE	4/06	TITLE OUTLINE, COUP., 90°, 225 - 450 MHz, 400W		
	CAGE CODE: 437R2						
TOLERANCE	.XX ±.02 [.50]	SHEET	OF	SCALE	SIZE	P/N	REV.
IN [MM]	.XXX ±.005 [.127]	1	1	2:1	B	IPP-2031	E
	ANG. ±1/2°						