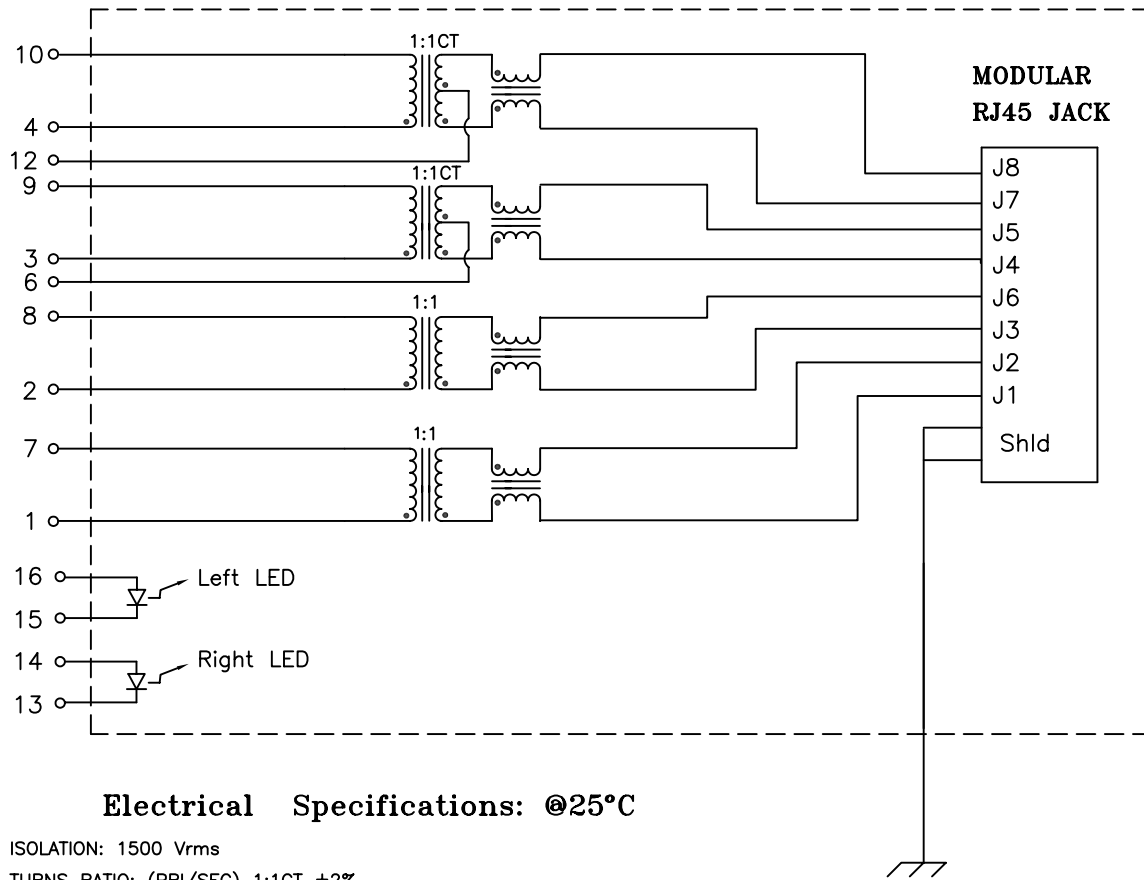


Schematic: (SINGLE PORT)



Electrical Specifications: @25°C

ISOLATION: 1500 Vrms
 TURNS RATIO: (PRI/SEC) 1:1CT ±2%
 OCL: 350uH MIN @100KHz 100mV 8mADC
 Rise Time: 1.75ns Max.
 INSERTION LOSS: -1.0dB MAX @1MHz-100MHz
 RETURN LOSS:
 -18dB Min @1-30MHz -18dB Min @30-40MHz
 -16dB Min @40-50MHz -12dB Min @50-100MHz
 Common Mode Rejection:
 -43dB Min @1-30MHz -37dB Min @30-60MHz
 -33dB Min @60-125MHz
 Crosstalk: -45dB Min @0.3-30MHz
 -43dB Min @30-60MHz -42dB Min @60-100MHz
 Balanced DC Line Current: 600mA Max @57Vdc continuous Pins 6 + 12
 750mA Max @57Vdc for 200milliseconds Pins 6 + 12

Complete the Combo P/N as follows:

Replace 'x' & 'u' in the part number with one of the LED color letters:
 Y=Yellow 'x' = Left LED Color
 G=Green 'u' = Right LED Color
 A=Amber
 R=Red
 C=Green(1)/Amber(2) Bicolor
 D=Amber(1)/Green(2) Bicolor
 M=Green(1)/Yellow(2) Bicolor
 N=Yellow(1)/Green(2) Bicolor
 P=Red(1)/Green(2) Bicolor
 Q=Green(1)/Red(2) Bicolor
 E=Red(1)/Yellow(2) Bicolor
 F=Yellow(1)/Red(2) Bicolor
 H=Amber(1)/Yellow(2) Bicolor
 J=Green(1)/Green(2) Bicolor

Single Color LED: Bi-Color LED:

- Notes:
- Solderability: Leads shall meet MIL-STD-202G, Method 208H for solderability.
 - Flammability: UL94V-0
 - ASTM oxygen index: > 28%
 - Insulation System: Class F 155°C. UL file E151556
 - Operating Temperature Range: All listed parameters are to be within tolerance from -40°C to +85°C
 - Storage Temperature Range: -55°C to +125°C
 - Aqueous wash compatible
 - Electrical and mechanical specifications 100% tested
 - RoHS Compliant Component
 - Contact Plating: 30uInches of Gold

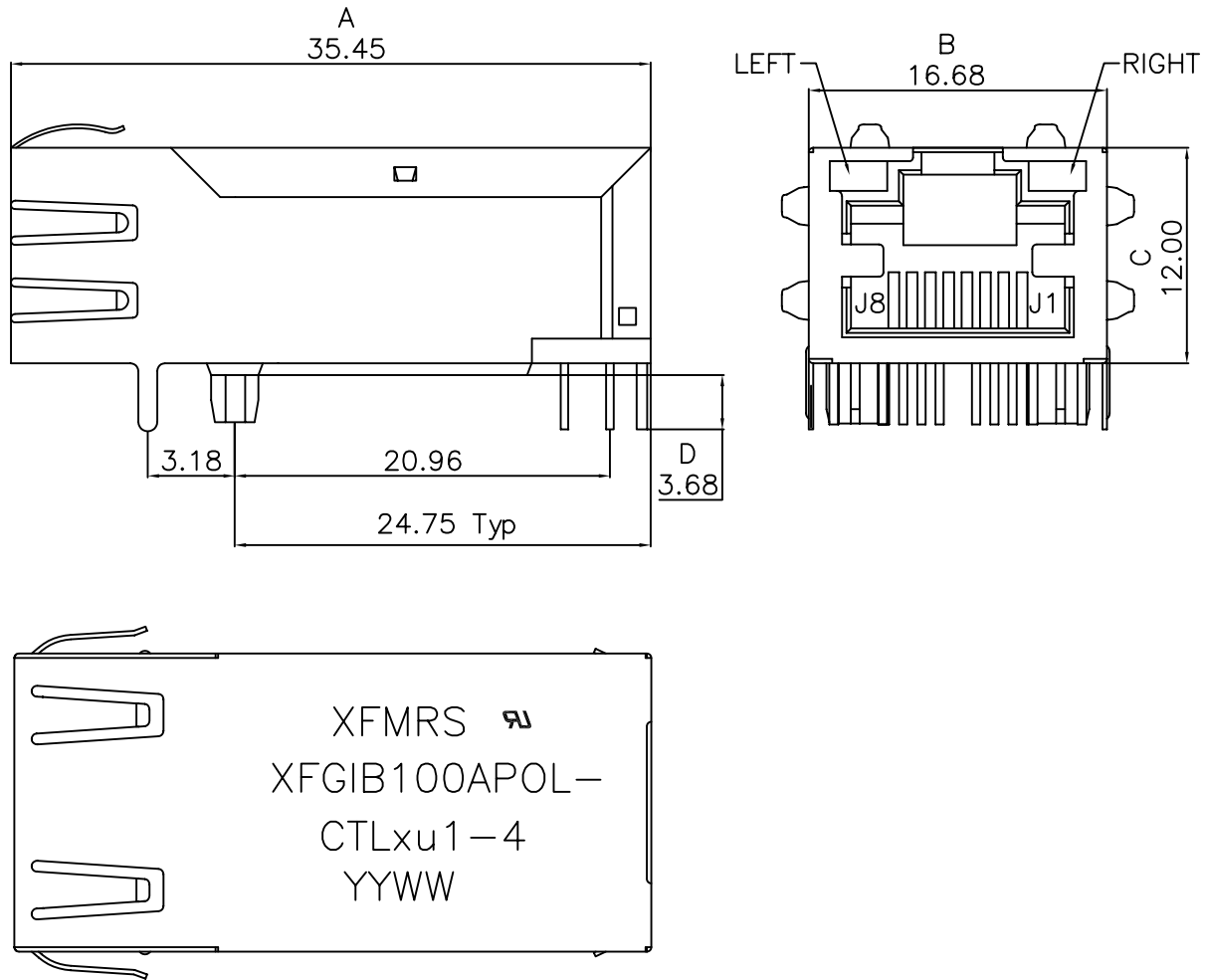
DOC REV.: A/1

XFMRs Inc. www.XFMRs.com	Title: SINGLE PORT COMBO		
	P/N: XFGIB100APOL-CTLxu1-4		REV. A
UNLESS OTHERWISE SPECIFIED TOLERANCES: .xxx ±0.010 Dimensions in Inch	DWN.	Juan Mao	Jan-04-11
	CHK.	YK Liao	Jan-04-11
	APP.	BW	Jan-04-11
SHEET 1 OF 2			

PROPRIETARY:

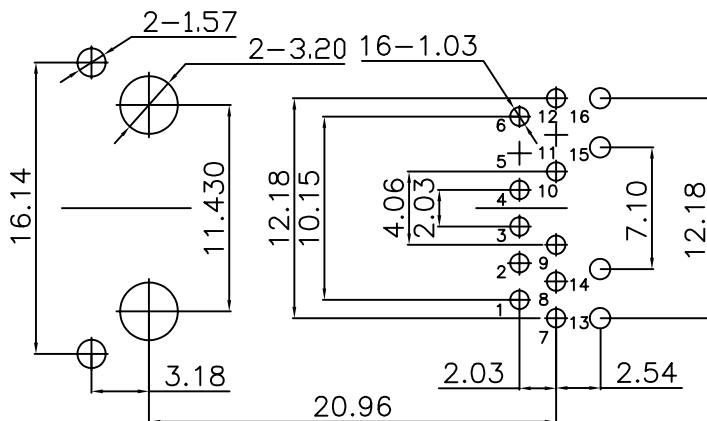
Document is the property of XFMRs Group & is not allowed to be duplicated without authorization.

Mechanical Dimensions:



Mounting Pattern:

Remove Pins 5+11



XFMRS Inc.
www.XFMRS.com

Title: Mechanical Dimensions
For TAB UP RJ45 COMBO

DOC REV: A/1

UNLESS OTHERWISE SPECIFIED
TOLERANCES:
.xx ±0.25
Dimensions in MM

P/N: XFGIB100APOL-CTLxu1-4 REV. A

DWN. Juan Mao Jan-04-11

CHK. YK Liao Jan-04-11

SHEET 2 OF 2

APP. BW Jan-04-11

PROPRIETARY:

Document is the property of XFMRS Group & is not allowed to be duplicated without authorization.