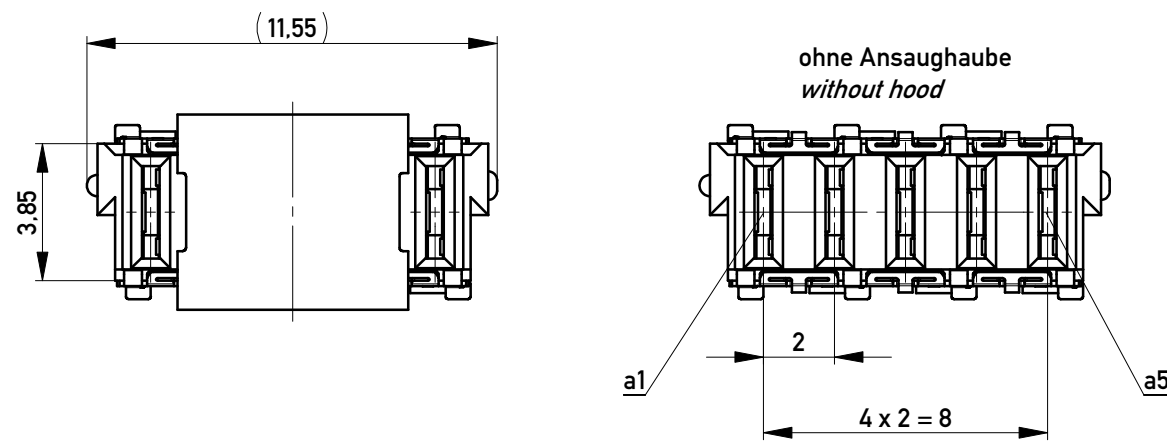
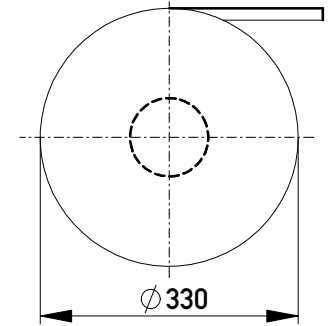
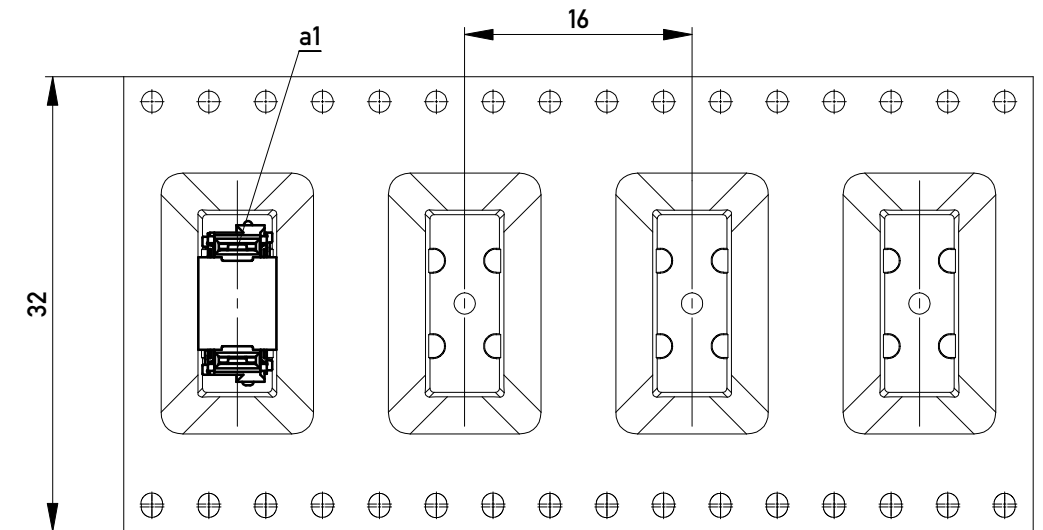


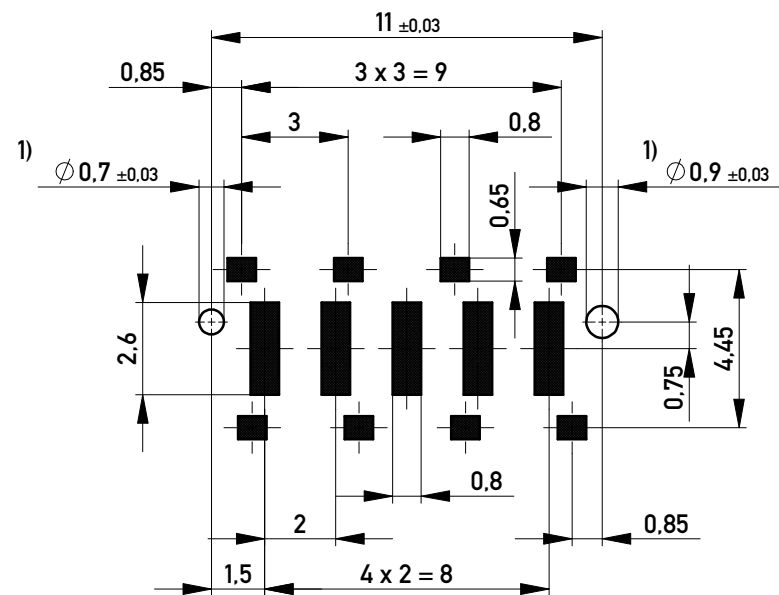
Verpackt in Gurtverpackung
Tape on Reel Packaging
Verpackungseinheit: 420 Stück
Packaging unit: 420 pcs



Abspulrichtung - Reel off Direction



Leiterplatten-Layout Vorschlag / PCB-Layout Proposal



1) Durchmesser des Bohrers / Drill tool

Anforderungsstufe 1
Performance Level 1

Kontaktbereich vergoldet
Mating Area gold plating

Anschlussbereich verzinkt 4-6 µm
Terminal Area 4-6 µm tin plating

Koplanarität der Anschlüsse ≤ 0.1 mm
Coplanarity Area of Termination ≤ 0.1 mm

| | | | | |
|---|--|--------------------------|---|-----|
| Information: | Tolerances | All Dimensions in mm | Scale | 5:1 |
| | All rights reserved. Only for Information. To ensure that this is the latest version of this drawing, please contact one of the ERNI companies before using. | | Designation Federleiste SMD, Powerm. 4mm Female Con. SMD, Powerm. 4mm | |
| Subject to modification without prior notice. Drawing will not be updated. | | www.ERNI.com | 100302650001 | |
| g | 12.09.2012 | | Class MSPEED | |
| Index | Date | I A3 | | |

Copyright by ERNI GmbH
Proprietary notice pursuant to ISO 16016 to be observed.