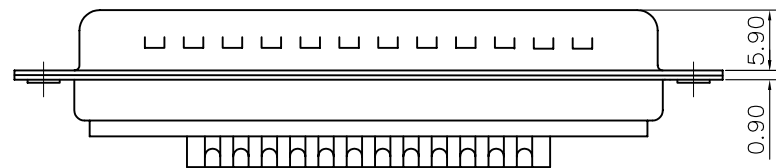
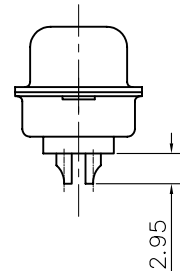
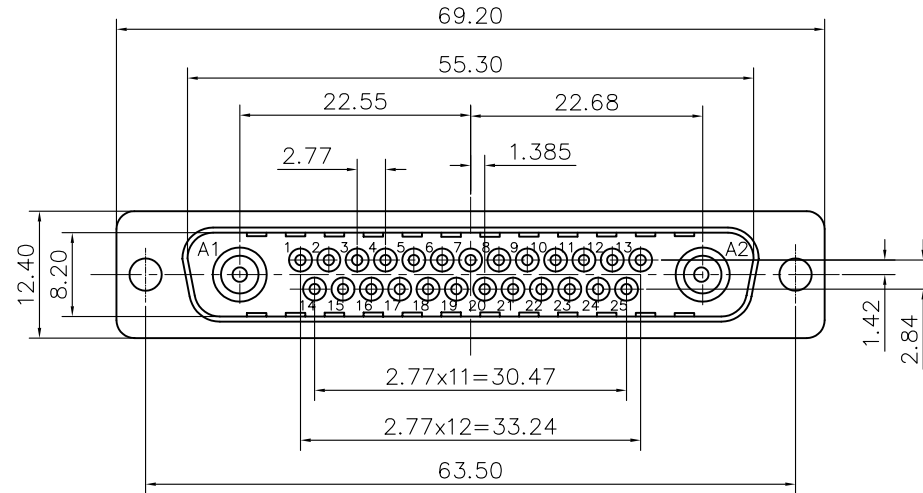


This document is the property of Amphenol Corporation and is delivered on the express condition that it is not to be disclosed, reproduced or used, in whole or in part, for manufacture or sale by anyone other than Amphenol Corporation without its prior consent, & that no right is granted to disclose or to use any information in this document.



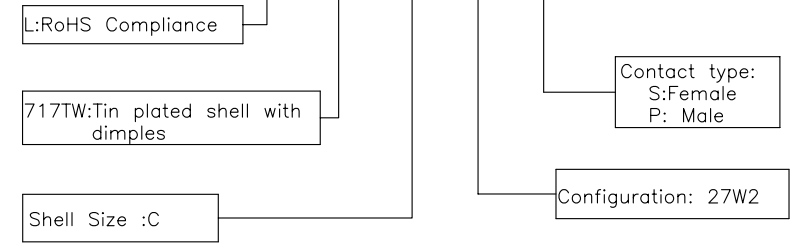
REVISIONS				
SYM	ECN	DESCRIPTION	DATE	APPROVED
A	HK4748	Release new drawing	10/24/07	IP

D-SUB TECHNICAL DATA

SHELL: Steel 2.5um(100u") min tin over 1.25um(50u") min nickel
 BODY: Glass filled thermoplastic.
 Flame retarding to UL94 V-0 Color Black
 CONTACTS: Brass, 0.4um(15u") min gold over 1.25um(50u") min nickel
 ELECTRICAL: Voltage rating: 300 V RMS at 50 Hz
 Current rating 7.5A
 Withstanding Voltage >1000 V RMS at 50 Hz for one minute
 Insulation resistance >5000 M Ohms
 Contact resistance 20 mOhms max.
 CLIMATIC: Temperature range -55 °C up to 155°C
 Damp heat 56 days(40 °C-95% HR)
 MARKING: Amphenol...(Series No.)
 Manufacturing date
 Commercial reference

PRODUCT CODE

L 717TW C 27W2 P



UNLESS OTHERWISE SPECIFIED TOLERANCES		APPROVAL		DATE
	U.S.	METRIC	DRAWN	Issa.peng
.X +/-		0.50	CHECKED	tk.wang
.XX +/-		0.30	CHECKED	
.XXX +/-		0.20	CHECKED	
FRACTIONS +/-				
ANGLES +/-		5°		
FOR MATERIALS AND FINISHES SEE NOTES		DRAWING FILE : drawing\Draw\CL717TWC27W2P		
REMOVE SHARP EDGES		ANGLE OF PROJECTION		
DIMENSIONS				
U.S.	INCHES			
METRIC	MM			

Amphenol			
TITLE			
Hybrid connector, TW series			
SIZE	DRAWING NO.	REV.	
A4	C L717TWC27W2P	A	
SCALE	NONE	SHEET 1 OF 1	