

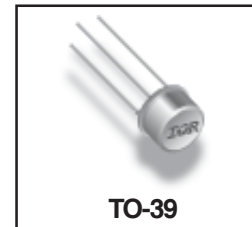
**RADIATION HARDENED
 POWER MOSFET
 THRU-HOLE (TO-39)**

**IRHF57234SE
 250V, N-CHANNEL**



Product Summary

| Part Number | Radiation Level | RDS(on) | ID |
|-------------|-----------------|---------|------|
| IRHF57234SE | 100K Rads (Si) | 0.42Ω | 5.2A |



International Rectifier's R5™ technology provides high performance power MOSFETs for space applications. These devices have been characterized for Single Event Effects (SEE) with useful performance up to an LET of 80 (MeV/(mg/cm²)). The combination of low RDS(on) and low gate charge reduces the power losses in switching applications such as DC to DC converters and motor control. These devices retain all of the well established advantages of MOSFETs such as voltage control, fast switching, ease of paralleling and temperature stability of electrical parameters.

Features:

- Single Event Effect (SEE) Hardened
- Ultra Low RDS(on)
- Identical Pre- and Post-Electrical Test Conditions
- Repetitive Avalanche Ratings
- Dynamic dv/dt Ratings
- Simple Drive Requirements
- Ease of Paralleling
- Hermetically Sealed

Absolute Maximum Ratings

Pre-Irradiation

| | Parameter | | Units |
|----------------------------|---------------------------------|--|-------|
| ID @ VGS = 12V, TC = 25°C | Continuous Drain Current | 5.2 | A |
| ID @ VGS = 12V, TC = 100°C | Continuous Drain Current | 3.3 | |
| IDM | Pulsed Drain Current ① | 20.8 | |
| PD @ TC = 25°C | Max. Power Dissipation | 25 | W |
| | Linear Derating Factor | 0.2 | W/°C |
| VGS | Gate-to-Source Voltage | ±20 | V |
| EAS | Single Pulse Avalanche Energy ② | 142 | mJ |
| IAR | Avalanche Current ① | 5.2 | A |
| EAR | Repetitive Avalanche Energy ① | 2.5 | mJ |
| dv/dt | Peak Diode Recovery dv/dt ③ | 6.8 | V/ns |
| TJ | Operating Junction | -55 to 150 | °C |
| TSTG | Storage Temperature Range | | |
| | Lead Temperature | 300 (0.063 in./1.6mm from case for 10s) | |
| | Weight | 0.98(Typical) | g |

For footnotes refer to the last page

Electrical Characteristics @ T_j = 25°C (Unless Otherwise Specified)

| | Parameter | Min | Typ | Max | Units | Test Conditions |
|-------------------------------------|--|-----|------|------|-------|--|
| BV _{DSS} | Drain-to-Source Breakdown Voltage | 250 | — | — | V | V _{GS} = 0V, I _D = 1.0mA |
| ΔBV _{DSS} /ΔT _J | Temperature Coefficient of Breakdown Voltage | — | 0.31 | — | V/°C | Reference to 25°C, I _D = 1.0mA |
| R _{DS(on)} | Static Drain-to-Source On-State Resistance | — | — | 0.42 | Ω | V _{GS} = 12V, I _D = 3.3A ④ |
| V _{GS(th)} | Gate Threshold Voltage | 2.5 | — | 4.5 | V | V _{DS} = V _{GS} , I _D = 1.0mA |
| g _{fs} | Forward Transconductance | 4.0 | — | — | S | V _{DS} ≥ 15V, I _{DS} = 3.3A ④ |
| I _{DSS} | Zero Gate Voltage Drain Current | — | — | 10 | μA | V _{DS} = 200V, V _{GS} = 0V |
| | | — | — | 25 | | V _{DS} = 200V, V _{GS} = 0V, T _J = 125°C |
| I _{GSS} | Gate-to-Source Leakage Forward | — | — | 100 | nA | V _{GS} = 20V |
| I _{GSS} | Gate-to-Source Leakage Reverse | — | — | -100 | | V _{GS} = -20V |
| Q _g | Total Gate Charge | — | — | 32 | nC | V _{GS} = 12V, I _D = 5.2A |
| Q _{gs} | Gate-to-Source Charge | — | — | 11 | | V _{DS} = 125V |
| Q _{gd} | Gate-to-Drain ('Miller') Charge | — | — | 16 | | |
| t _{d(on)} | Turn-On Delay Time | — | — | 25 | ns | V _{DD} = 125V, I _D = 5.2A |
| t _r | Rise Time | — | — | 100 | | V _{GS} = 12V, R _G = 7.5Ω |
| t _{d(off)} | Turn-Off Delay Time | — | — | 35 | | |
| t _f | Fall Time | — | — | 40 | | |
| L _S + L _D | Total Inductance | — | 7.0 | — | nH | Measured from Drain lead (6mm /0.25in. from package) to Source lead (6mm /0.25in. from package) with Source wires internally bonded from Source Pin to Drain Pad |
| C _{iss} | Input Capacitance | — | 1007 | — | pF | V _{GS} = 0V, V _{DS} = 25V |
| C _{oss} | Output Capacitance | — | 155 | — | | f = 1.0MHz |
| C _{rss} | Reverse Transfer Capacitance | — | 8 | — | | |

Source-Drain Diode Ratings and Characteristics

| | Parameter | Min | Typ | Max | Units | Test Conditions |
|-----------------|--|--|-----|------|-------|--|
| I _S | Continuous Source Current (Body Diode) | — | — | 5.2 | A | |
| I _{SM} | Pulse Source Current (Body Diode) ① | — | — | 20.8 | | |
| V _{SD} | Diode Forward Voltage | — | — | 1.5 | V | T _J = 25°C, I _S = 5.2A, V _{GS} = 0V ④ |
| t _{rr} | Reverse Recovery Time | — | — | 287 | ns | T _J = 25°C, I _F = 5.2A, di/dt ≤ 100A/μs |
| Q _{RR} | Reverse Recovery Charge | — | — | 2.3 | μC | V _{DD} ≤ 25V ④ |
| t _{on} | Forward Turn-On Time | Intrinsic turn-on time is negligible. Turn-on speed is substantially controlled by L _S + L _D . | | | | |

Thermal Resistance

| | Parameter | Min | Typ | Max | Units | Test Conditions |
|-------------------|---------------------|-----|-----|-----|-------|----------------------|
| R _{thJC} | Junction-to-Case | — | — | 5.0 | °C/W | |
| R _{thJA} | Junction-to-Ambient | — | 175 | — | | Typical socket mount |

Note: Corresponding Spice and Saber models are available on International Rectifier Website.

For footnotes refer to the last page

Radiation Characteristics

IRHF57234SE

International Rectifier Radiation Hardened MOSFETs are tested to verify their radiation hardness capability. The hardness assurance program at International Rectifier is comprised of two radiation environments. Every manufacturing lot is tested for total ionizing dose (per notes 5 and 6) using the TO-3 package. Both pre- and post-irradiation performance are tested and specified using the same drive circuitry and test conditions in order to provide a direct comparison.

Table 1. Electrical Characteristics @ Tj = 25°C, Post Total Dose Irradiation ⑤⑥

| | Parameter | 100K Rads (Si) | | Units | Test Conditions |
|---------------------|---|----------------|-------|-------|--|
| | | Min | Max | | |
| BV _{DSS} | Drain-to-Source Breakdown Voltage | 250 | — | V | V _{GS} = 0V, I _D = 1.0mA |
| V _{GS(th)} | Gate Threshold Voltage ④ | 2.0 | 4.5 | | V _{GS} = V _{DS} , I _D = 1.0mA |
| I _{GSS} | Gate-to-Source Leakage Forward | — | 100 | nA | V _{GS} = 20V |
| I _{GSS} | Gate-to-Source Leakage Reverse | — | -100 | | V _{GS} = -20V |
| I _{DSS} | Zero Gate Voltage Drain Current | — | 10 | μA | V _{DS} = 200V, V _{GS} = 0V |
| R _{DS(on)} | Static Drain-to-Source ④ On-State Resistance (TO-3) | — | 0.402 | Ω | V _{GS} = 12V, I _D = 3.3A |
| R _{DS(on)} | Static Drain-to-Source ④ On-State Resistance (TO-39) | — | 0.42 | Ω | V _{GS} = 12V, I _D = 3.3A |
| V _{SD} | Diode Forward Voltage ④ | — | 1.5 | V | V _{GS} = 0V, I _D = 5.2A |

International Rectifier radiation hardened MOSFETs have been characterized in heavy ion environment for Single Event Effects (SEE). Single Event Effects characterization is illustrated in Fig. a and Table 2.

Table 2. Typical Single Event Effect Safe Operating Area

| LET (MeV/(mg/cm ²)) | Energy (MeV) | Range (μm) | VDS (V) | | | | |
|------------------------------------|-----------------|---------------|--------------|---------------|----------------|----------------|----------------|
| | | | @VGS = 0V | @VGS = -5V | @VGS = -10V | @VGS = -15V | @VGS = -20V |
| 38 ± 5% | 300 ± 7.5% | 38 ± 7.5% | 250 | 250 | 250 | 250 | 250 |
| 61 ± 5% | 330 ± 7.5% | 31 ± 10% | 250 | 250 | 250 | 250 | 240 |
| 84 ± 5% | 350 ± 10% | 28 ± 7.5% | 250 | 250 | 225 | 175 | 50 |

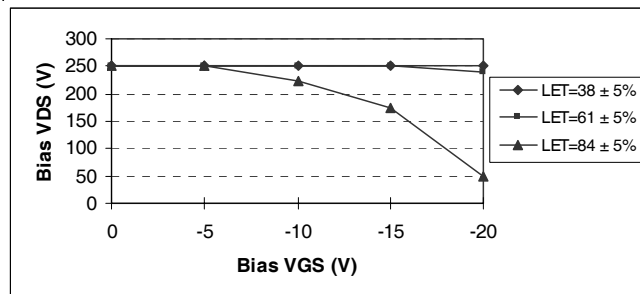


Fig a. Single Event Effect, Safe Operating Area

For footnotes refer to the last page

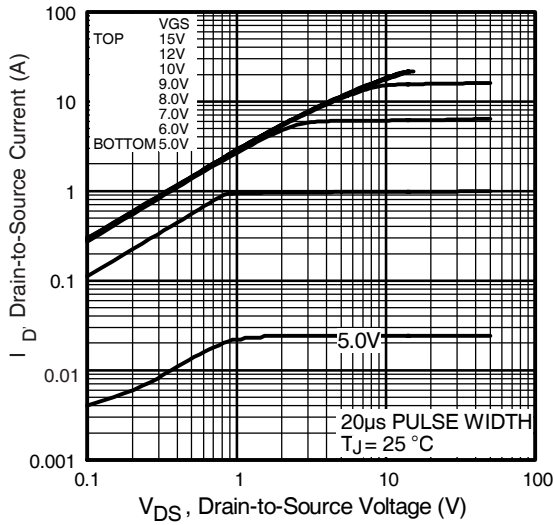


Fig 1. Typical Output Characteristics

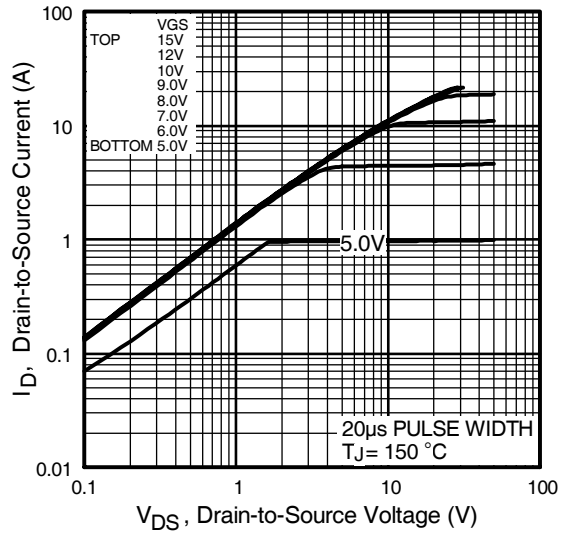


Fig 2. Typical Output Characteristics

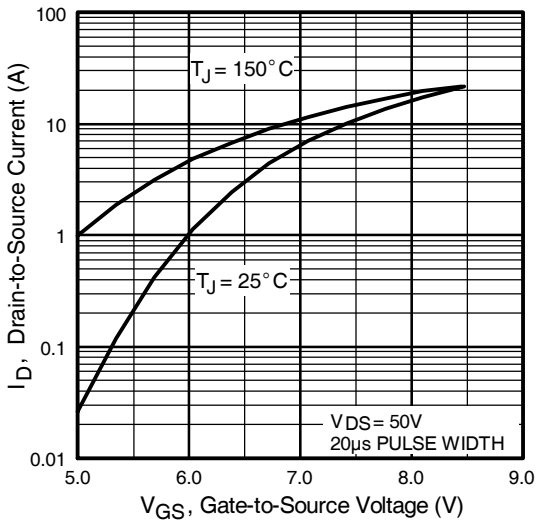


Fig 3. Typical Transfer Characteristics

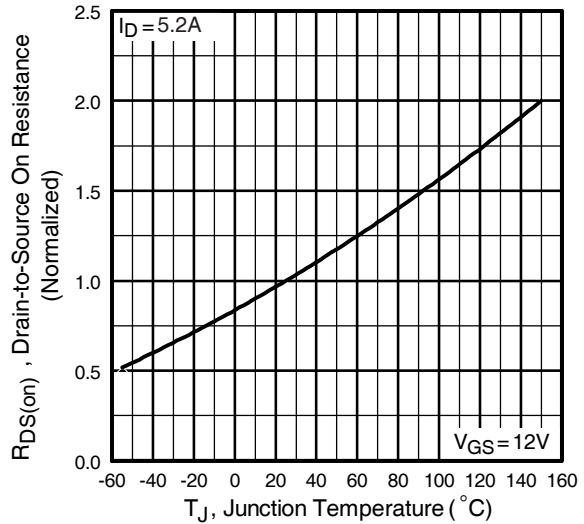


Fig 4. Normalized On-Resistance Vs. Temperature

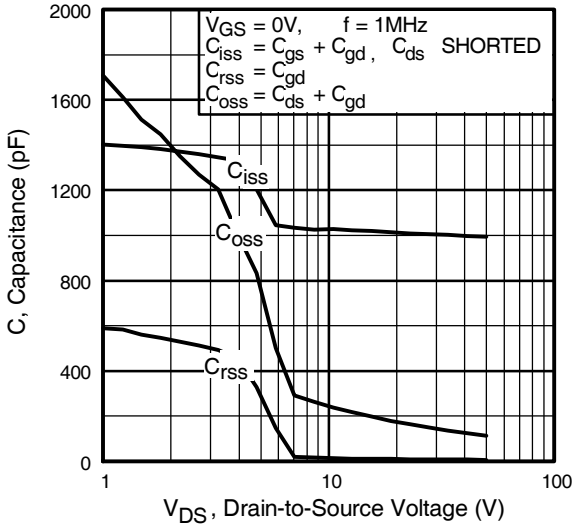


Fig 5. Typical Capacitance Vs. Drain-to-Source Voltage

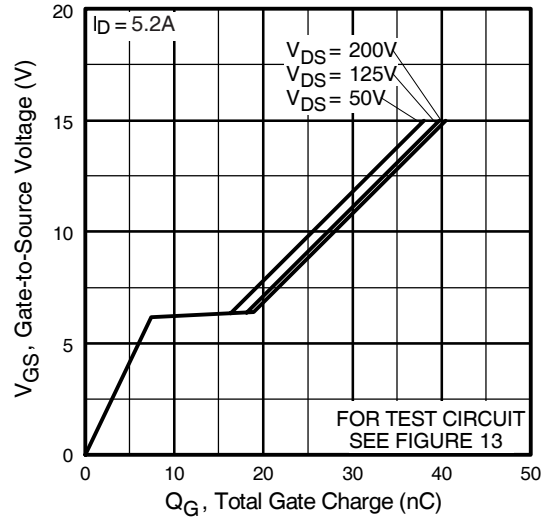


Fig 6. Typical Gate Charge Vs. Gate-to-Source Voltage

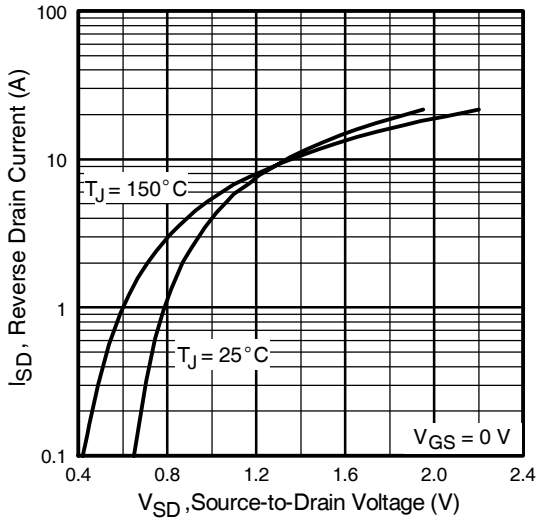


Fig 7. Typical Source-Drain Diode Forward Voltage

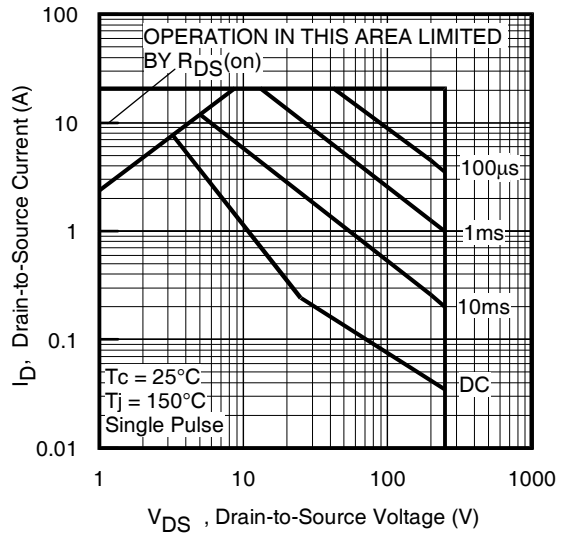


Fig 8. Maximum Safe Operating Area

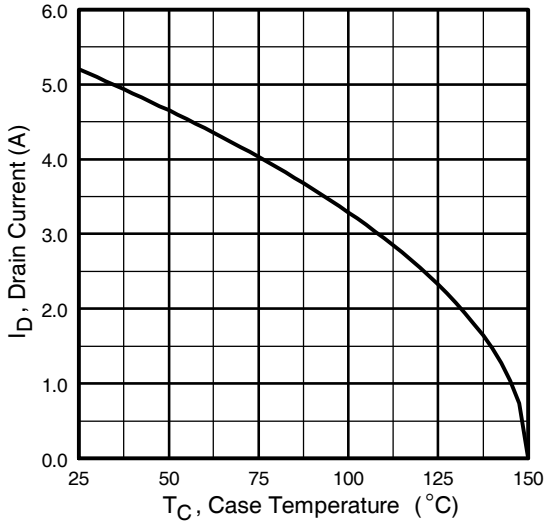


Fig 9. Maximum Drain Current Vs. Case Temperature

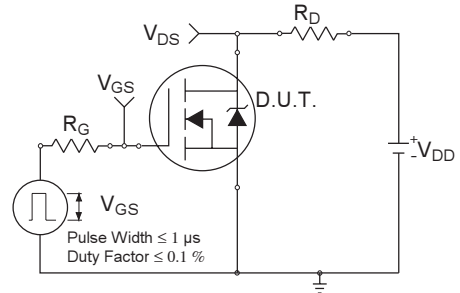


Fig 10a. Switching Time Test Circuit

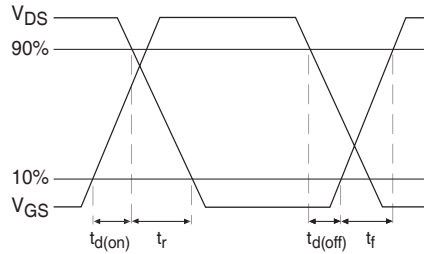


Fig 10b. Switching Time Waveforms

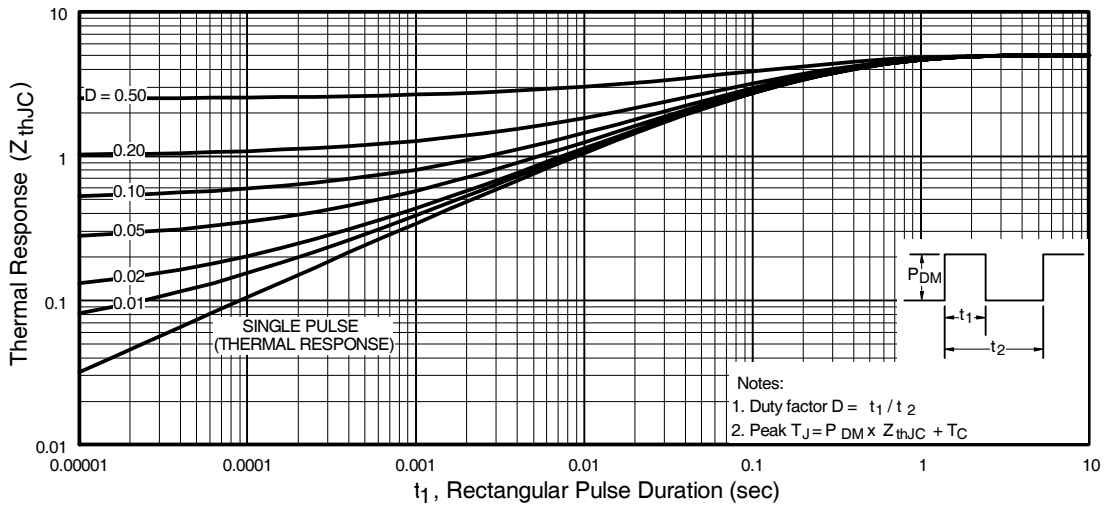


Fig 11. Maximum Effective Transient Thermal Impedance, Junction-to-Case

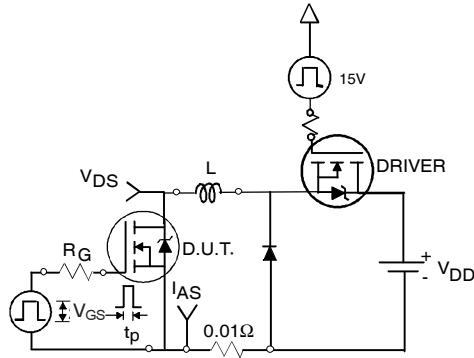


Fig 12a. Unclamped Inductive Test Circuit

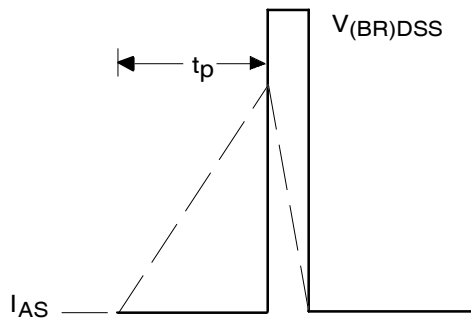


Fig 12b. Unclamped Inductive Waveforms

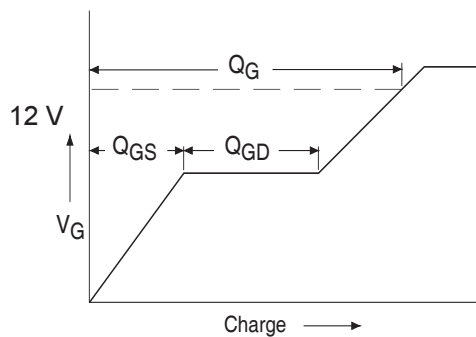


Fig 13a. Basic Gate Charge Waveform

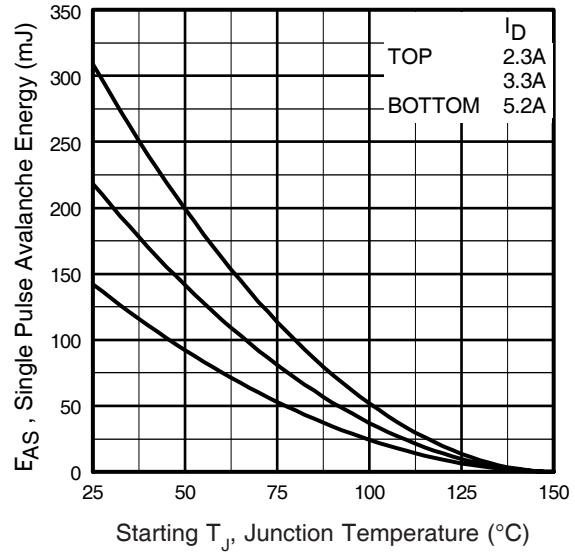


Fig 12c. Maximum Avalanche Energy Vs. Drain Current

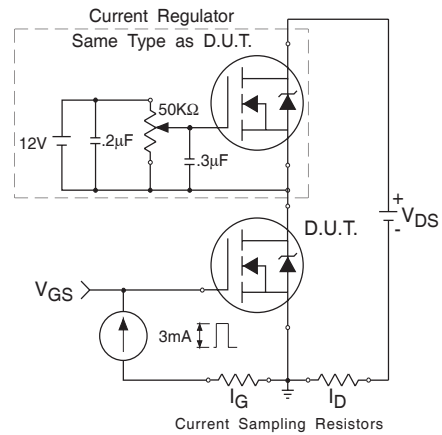
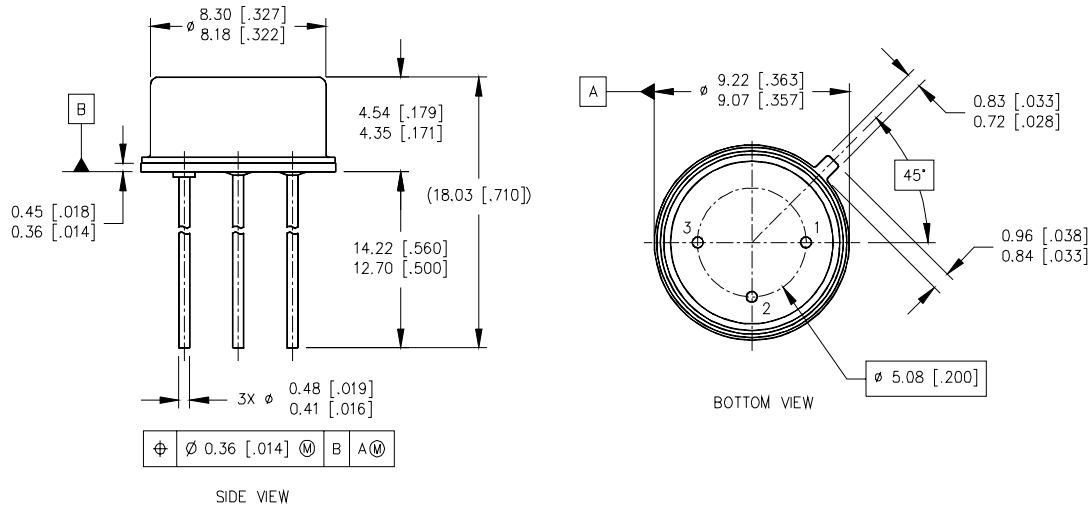


Fig 13b. Gate Charge Test Circuit

Footnotes:

- ① Repetitive Rating; Pulse width limited by maximum junction temperature.
- ② $V_{DD} = 50V$, starting $T_J = 25^{\circ}C$, $L = 10.5\text{ mH}$
Peak $I_L = 5.2A$, $V_{GS} = 12V$
- ③ $I_{SD} \leq 5.2A$, $di/dt \leq 307A/\mu s$,
 $V_{DD} \leq 250V$, $T_J \leq 150^{\circ}C$
- ④ Pulse width $\leq 300\ \mu s$; Duty Cycle $\leq 2\%$
- ⑤ **Total Dose Irradiation with V_{GS} Bias.**
12 volt V_{GS} applied and $V_{DS} = 0$ during irradiation per MIL-STD-750, method 1019, condition A.
- ⑥ **Total Dose Irradiation with V_{DS} Bias.**
200 volt V_{DS} applied and $V_{GS} = 0$ during irradiation per MIL-STD-750, method 1019, condition A.

Case Outline and Dimensions — TO-205AF (Modified TO-39)



NOTES:

- 1. DIMENSIONING AND TOLERANCING PER ASME 14.5M-1994.
- 2. DIMENSIONS ARE SHOWN IN MILLIMETERS [INCHES].
- 3. CONTROLLING DIMENSION: INCH.
- 4. CONFORMS TO JEDEC OUTLINE TO-205AF (TO-39).

LEGEND

- 1- SOURCE
- 2- GATE
- 3- DRAIN

International
IR Rectifier

IR WORLD HEADQUARTERS: 233 Kansas St., El Segundo, California 90245, USA Tel: (310) 252-7105
IR LEOMINSTER : 205 Crawford St., Leominster, Massachusetts 01453, USA Tel: (978) 534-5776
 TAC Fax: (310) 252-7903

Visit us at www.irf.com for sales contact information.
 Data and specifications subject to change without notice. 08/2010