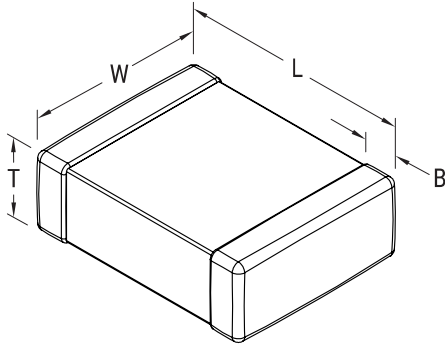


**KEMET Part Number: M3253508E1Z184JZMB-T&R**  
(C2220K184J3EML7189)

SMD MIL C0G PRF32535, Ceramic, Military/High Reliability, 0.18 uF, 5%, 25 V, C0G, SMD, Low ESR, MIL-PRF-32535, N/A, 2220



#### Dimensions

<b>L (Imperial)</b>	0.224 Inches +/-0.016 Inches
<b>L</b>	5.69mm +/-0.41mm
<b>W (Imperial)</b>	0.197 Inches +/-0.016 Inches
<b>W</b>	5mm +/-0.41mm
<b>T (Imperial)</b>	0.110 Inches MAX
<b>T</b>	2.79mm MAX
<b>B (Imperial)</b>	0.025 Inches +/-0.018 Inches
<b>B</b>	0.64mm +/-0.46mm

#### Packaging Specifications

<b>Packaging:</b>	T&R
<b>Packaging Quantity:</b>	1000

#### General Information

<b>Supplier:</b>	KEMET
<b>Series:</b>	SMD MIL C0G PRF32535
<b>Style:</b>	SMD Chip
<b>Description:</b>	SMD, Low ESR, MIL-PRF-32535
<b>RoHS:</b>	No
<b>Termination:</b>	Solder Plated
<b>Failure Rate:</b>	N/A
<b>Qualifications:</b>	MIL-PRF-32535 M-Level
<b>Chip Size:</b>	2220
<b>Shelf Life:</b>	78 Weeks
<b>MSL:</b>	1

#### Specifications

<b>Capacitance:</b>	0.18 uF
<b>Capacitance Tolerance:</b>	5%
<b>Voltage DC:</b>	25 VDC
<b>Dielectric Withstanding Voltage:</b>	62.5 V
<b>Temperature Range:</b>	-55/+125C
<b>Temperature Coefficient:</b>	C0G
<b>Dissipation Factor:</b>	0.25% 1MHz 25C
<b>Aging Rate:</b>	0% Loss/Decade Hour
<b>Insulation Resistance:</b>	5.56 GOhms