

KR Electronics, Inc.

General Description

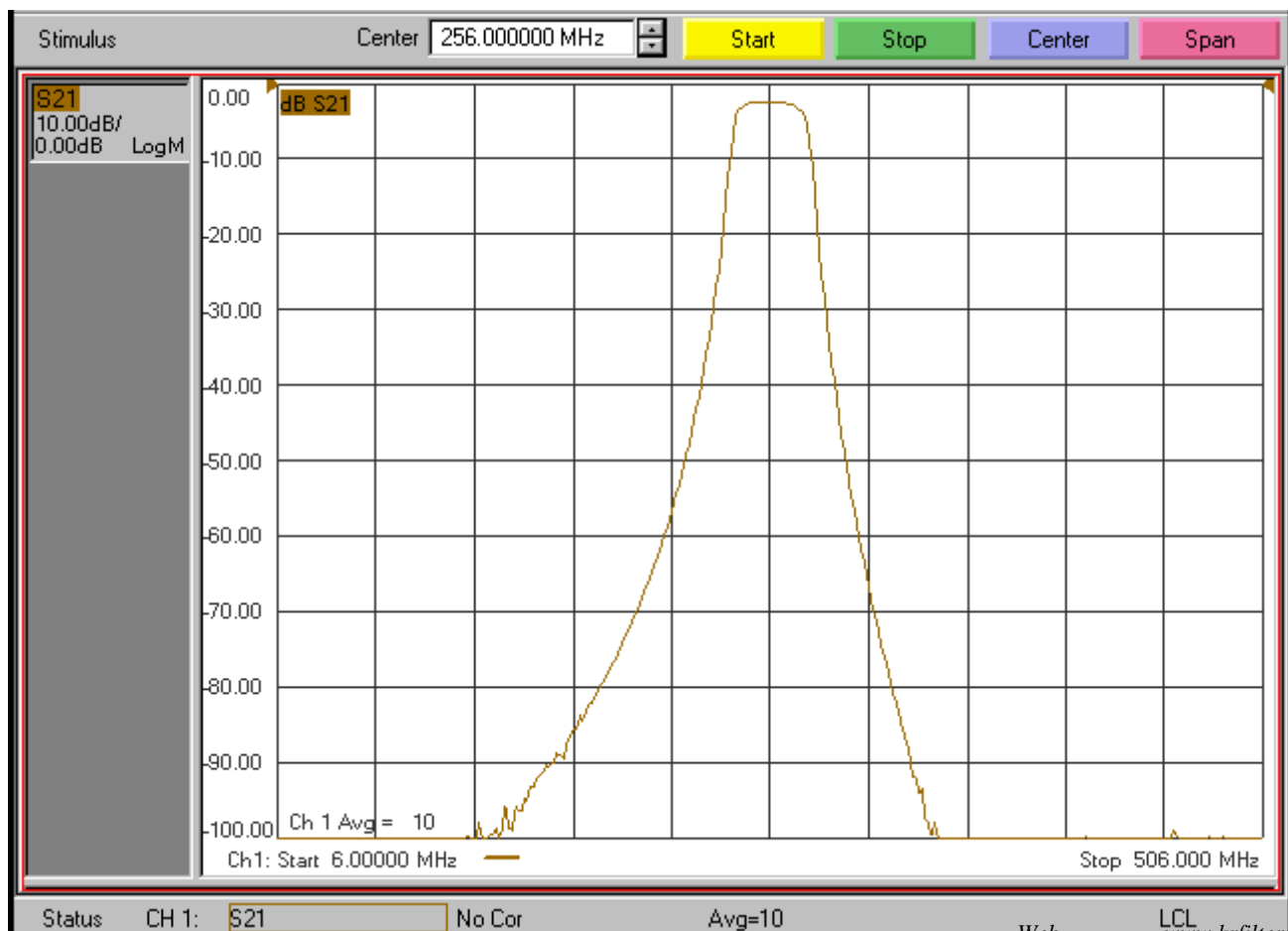
KR Electronics part number 3320-SMA is a 256 MHz bandpass filter. The filter has a min 2 dB bandwidth of 30 MHz. Other center frequencies are available. Please consult the factory.

Features

- 256 MHz Bandpass Filter
- 30 MHz minimum 2 dB Bandwidth
- 104 MHz typical 60 dB Bandwidth
- 50 Ω Source and Load
- SMA Connectors
- Surface Mount also available

Typical Performance

Overall Response (10 dB/div)



KR Electronics, Inc.
91 Avenel Street
Avenel, NJ 07001

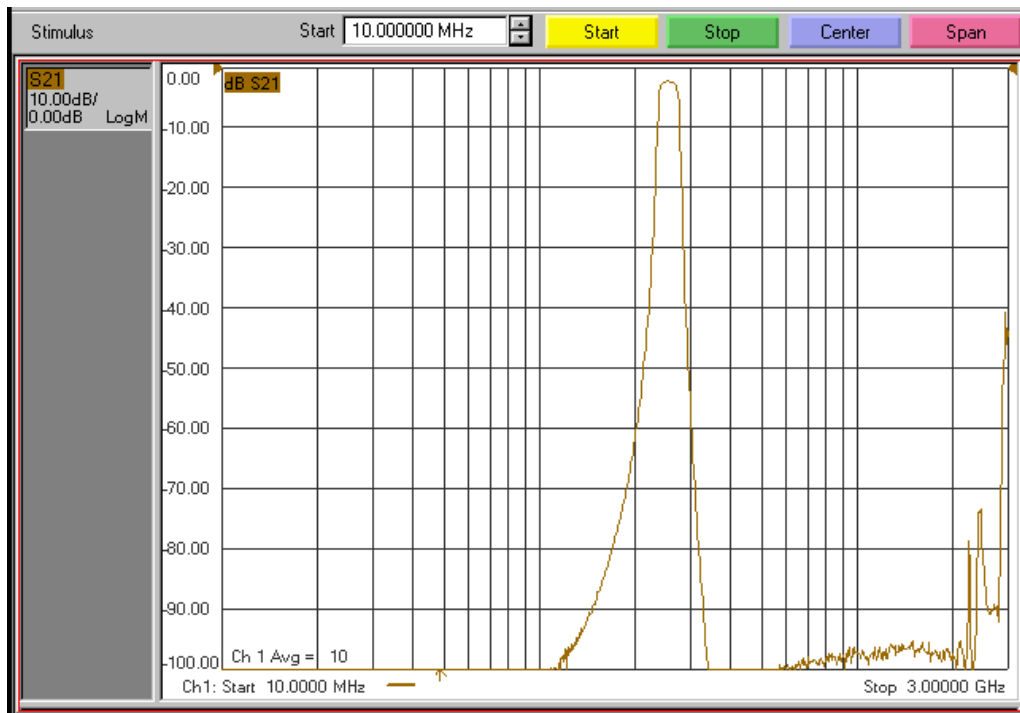
Web www.krfilters.com
Email sales@krfilters.com
Phone (732) 636-1900
Fax (732) 636-1982

KR Electronics 3320-SMA

Passband Amplitude & Group Delay (1 dB/div & 10 nsec/div)



Overall Response (10 dB/div)



KR Electronics, Inc.
91 Avenel Street
Avenel, NJ 07001

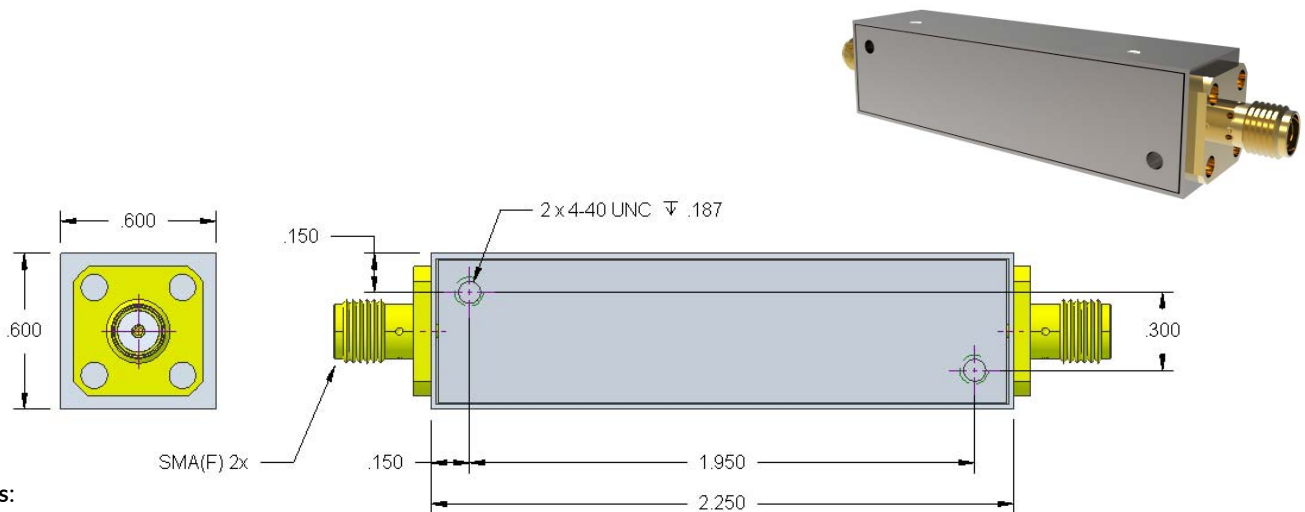
Web www.krfilters.com
Email sales@krfilters.com
Phone (732) 636-1900
Fax (732) 636-1982

KR Electronics 3320-SMA

Specifications

Parameter	Specification	
Filter type	Bandpass	
Center Frequency (Fc)	256 MHz	
Insertion Loss at Fc	4 dBa max	2 dBa typical
1 dB Bandwidth	30 MHz typical	
2 dB Bandwidth	30 MHz min	
3 dB Bandwidth	36.5 MHz typical	
40 dB Bandwidth	71 MHz typical	
60 dB Bandwidth	104 MHz typical	
Source and Load	50 Ω	

Physical Dimensions



Notes:

1. Dimensions in inches
2. Rectangular case
3. Surface mount package also available