

60mm sq.

San Ace 60

15mm thick (GA type), 15mm thick
 20mm thick (GA type), 20mm thick
 25mm thick (S type), 25mm thick (G type)
 25mm thick, 25mm thick (San Cooler)
38mm thick (GA type), 38mm thick (GV type)
 38mm thick (G type)



General Specifications

- Material Frame: Plastics (Flammability: UL94V-0),
 Impeller: Plastics (Flammability: UL94V-0)
- Expected Life Refer to specifications (L10: Survival rate: 90% at 60°C ,
 rated voltage, and continuously run in a free air state)
- Lead Wire ⊕red ⊖black (Sensor) yellow (Control) brown
- Storage Temperature -30°C to +70°C (Non-condensing)

60×60×38mm (Mass : 130g) **GA type** **Low Power Consumption Fan**



Specifications

The following nos. **have PWM controls, pulse sensors, and ribs.** For ribless, append "1" to the model no.

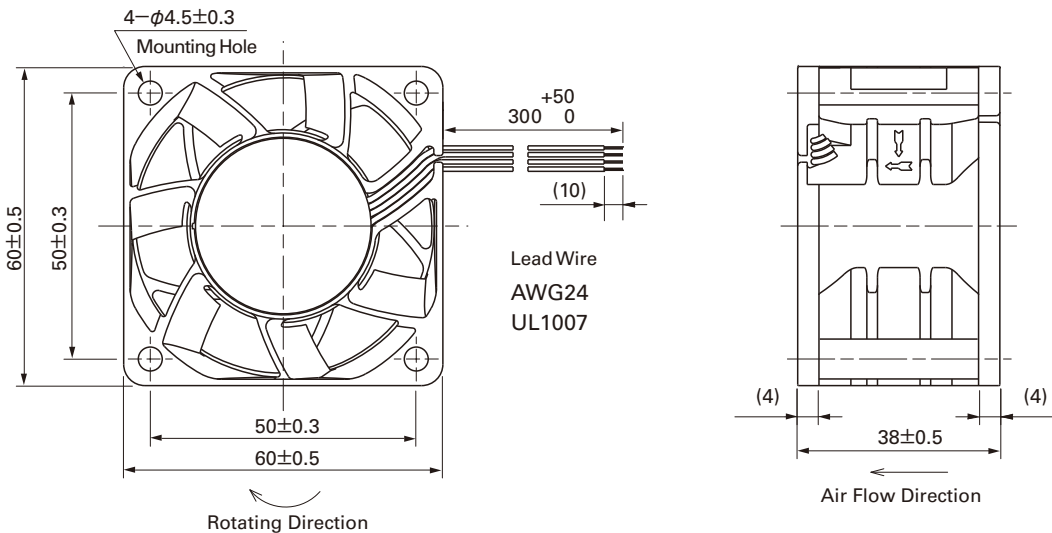
Model No.	Rated Voltage [V]	Operating Voltage Range [V]	PWM duty cycle ^{Note1)2)} [%]	Rated Current [A]	Rated Input [W]	Rated Speed [min ⁻¹]	Max. Air Flow [m ³ /min] [CFM]	Max. Static Pressure [Pa] [inchH ₂ O]	SPL [dB(A)]	Operating Temperature [°C]	Expected Life ^{Note2)} [h]
9GA0612P1J03	12	10.8 to 12.6	100	1.50	18.00	17,500	1.75 62	820 3.3	63	-20 to +60	40,000/60°C (70,000/40°C)
			20	0.10	1.20	4,000	0.40 14	43 0.17	24		
10.8 to 13.2		100	0.95	11.40	14,800	1.50 53	600 2.4	59	-20 to +70		
		20	0.10	1.20	4,000	0.40 14	43 0.17	24			
		100	0.55	6.60	11,500	1.15 40	375 1.5	52			
		20	0.06	0.72	2,600	0.27 9.5	20 0.08	19			
9GA0612P1K60	0	100	0.95	11.40	14,800	1.50 53	675 2.7	59	-20 to +60		
20		0.05	0.60	1,480	0.134 4.7	8.3 0.03	16				
9GA0624P1J03	24	21.6 to 25.2	100	0.75	18.00	17,500	1.75 62	820 3.3	63	-20 to +60	
			20	0.10	2.40	6,200	0.63 22	104 0.42	35		

Note 1: 9GA0612P1J03, 9GA0612P1K03, 9GA0612P1H03, 9GA0624P1J03 does not rotate when PWM duty cycle is 0%.
 Note 2: Expected life at 40°C ambient is just reference value.

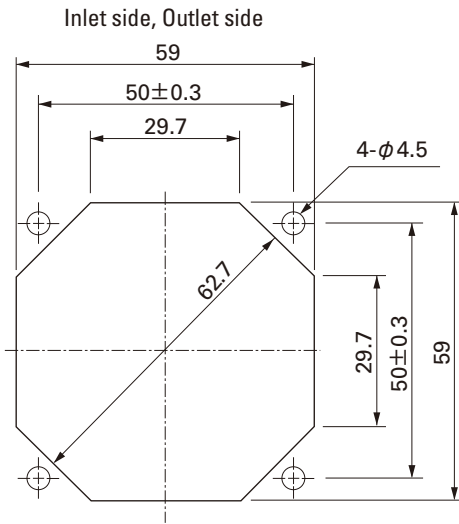
※PWM Frequency : 25kHz

- Available options: ⇒ **Without Sensor** **Pulse Sensor**

Dimensions (Unit : mm) (With ribs)



Reference dimension of mounting holes and vent opening (Unit : mm)

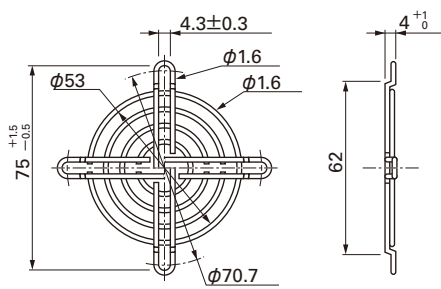


Options (Unit : mm)

Finger guards

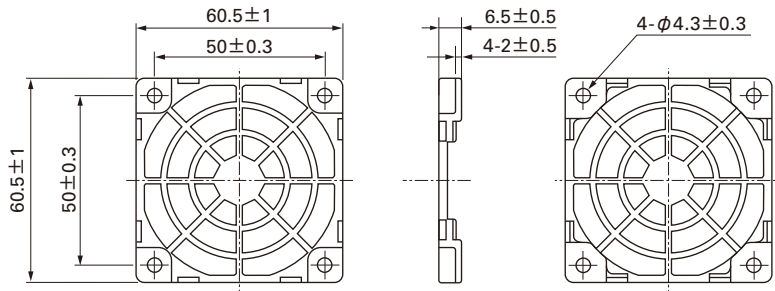
Model : 109-139E Surface treatment : Nickel-chrome plating (silver) Color : 109-139H : Cation electropainting (black)

Inlet side, Outlet side



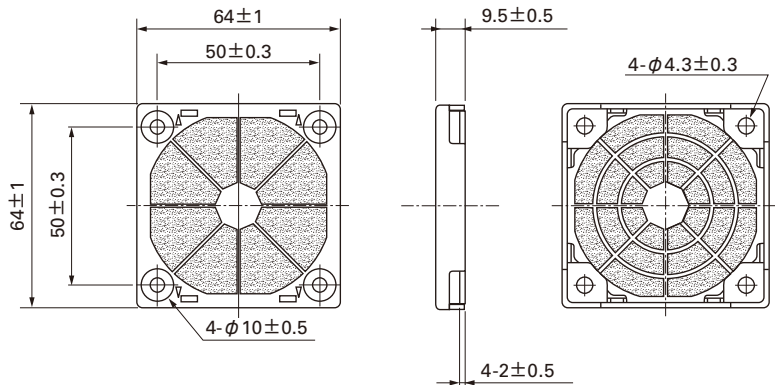
Resin finger guards

Model : 109-1003G



Resin filter kits

Model : 109-1003F13 (13PPI), 109-1003F20 (20PPI)
: 109-1003F30 (30PPI), 109-1003F40 (40PPI)



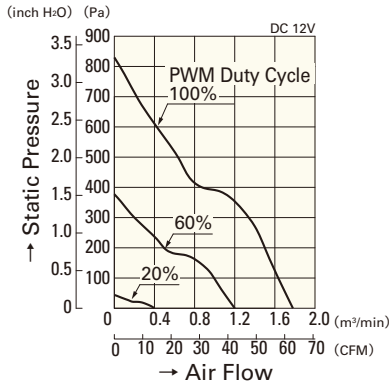
60mm sq.

San Ace 60

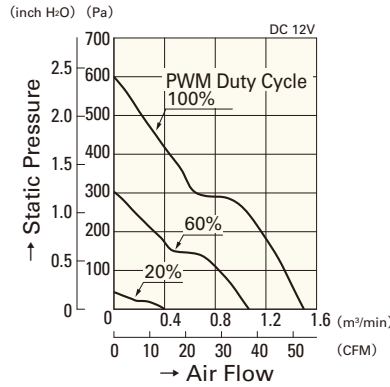
60×60×38mm [Mass : 130g]

Air Flow - Static Pressure Characteristics

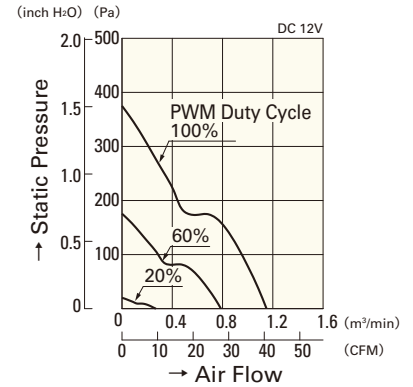
PWM Duty Cycle



9GA0612P1J03

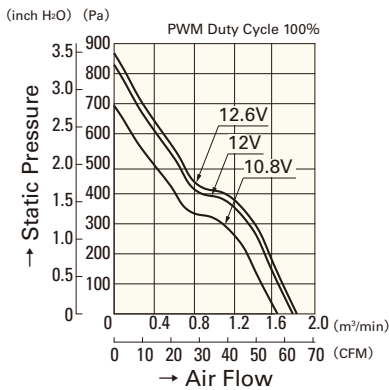


9GA0612P1K03

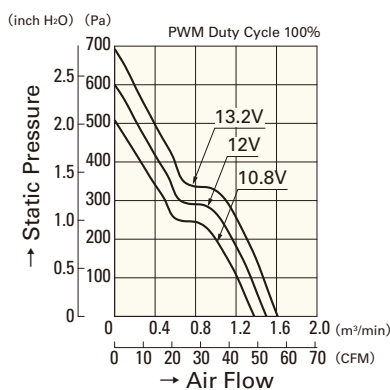


9GA0612P1H03

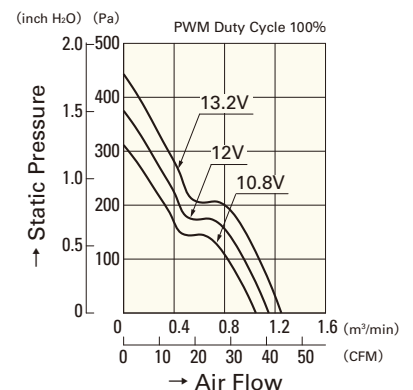
Operating Voltage Range



9GA0612P1J03

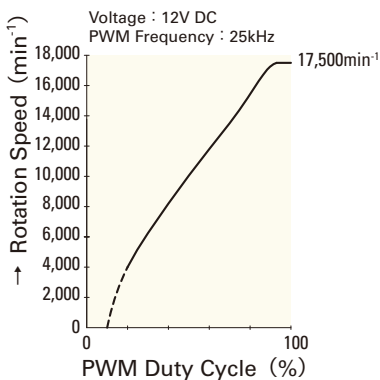


9GA0612P1K03

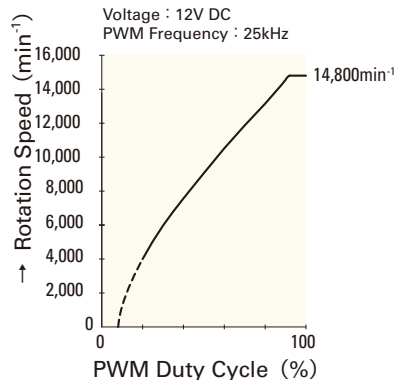


9GA0612P1H03

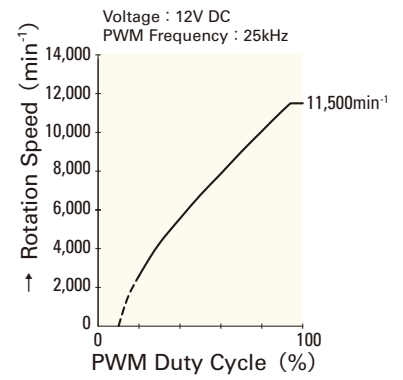
PWM Duty - Speed Characteristics Example



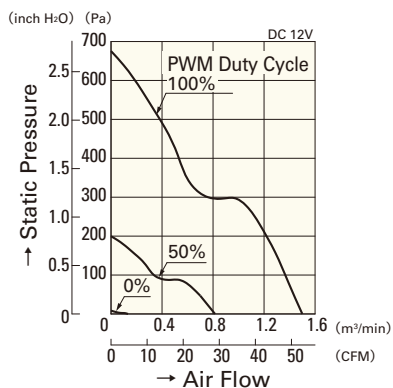
9GA0612P1J03



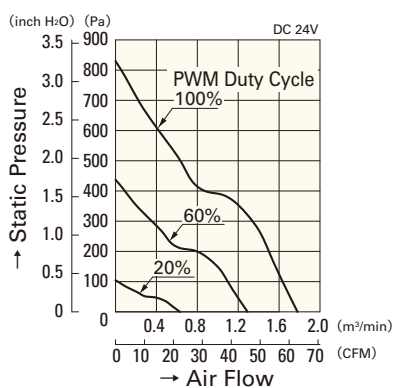
9GA0612P1K03



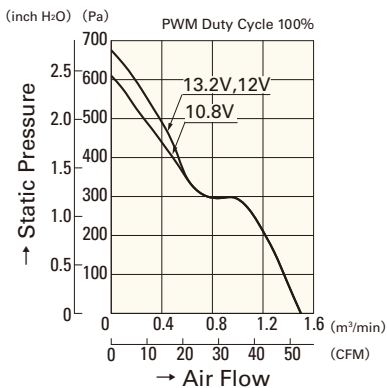
9GA0612P1H03



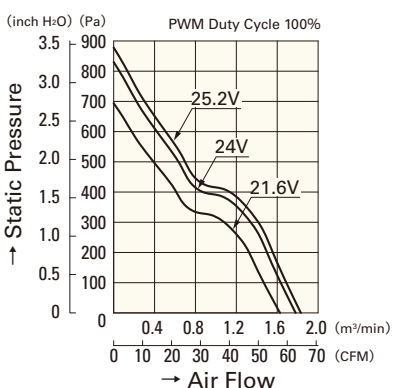
9GA0612P1K60



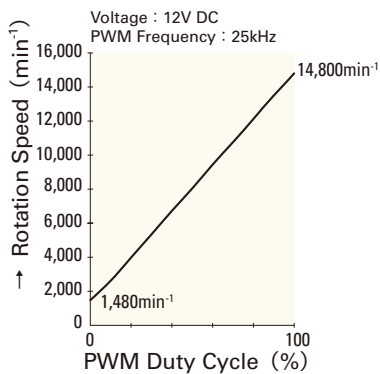
9GA0624P1J03



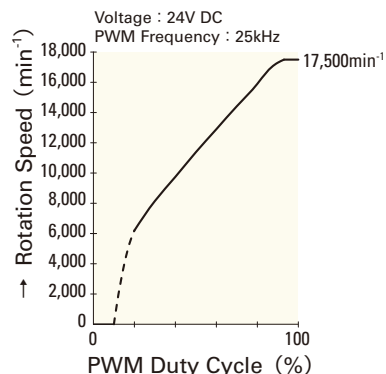
9GA0612P1K60



9GA0624P1J03



9GA0612P1K60



9GA0624P1J03