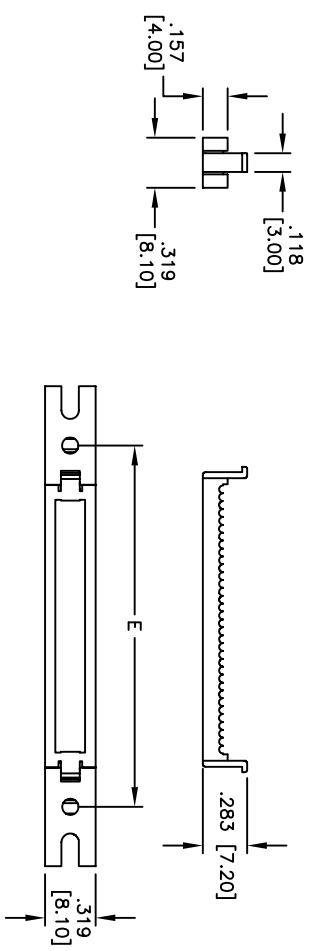
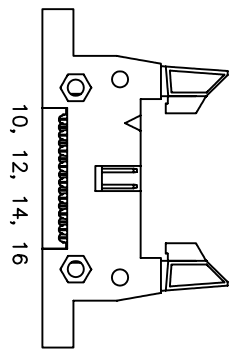
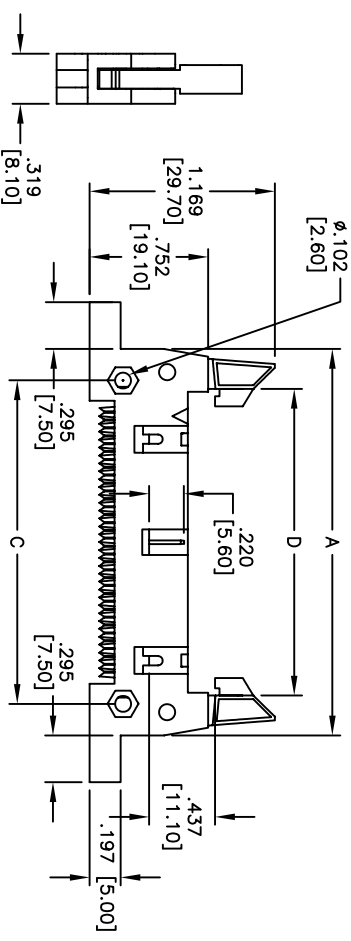
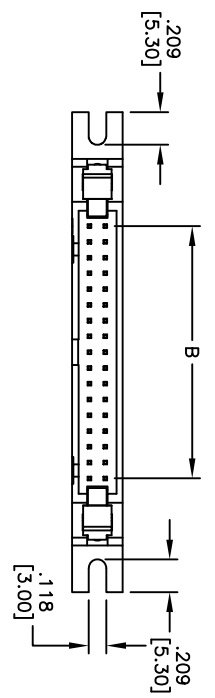


Rev	AWO #	Description	Date	Appr
-		RELEASED	3/24/14	

APPROVED: \_\_\_\_\_  
 DATE: \_\_\_\_\_ TITLE: \_\_\_\_\_



Positions: 10, 12, 14, 16, 20, 24, 26, 30, 34, 40, 50, 60, 64

- A = .100 [2.54] x No. of Positions/2 + .752 [19.10]
- B = .100 [2.54] x No. of Spoces
- C = .100 [2.54] x No. of Positions/2 + .311 [7.90]
- D = .100 [2.54] x No. of Positions/2 + .244 [6.20]
- E = .100 [2.54] x No. of Positions/2 + 591 [15.00]

**SPECIFICATIONS:**  
 Material: Insulator: PBT, glass reinforced, rated UL 94V-0  
 Insulator color: Gray  
 Contacts: Copper Alloy  
 Plating: Gold flash over nickel on contact area, Tin over copper underplate on IDC area.  
 Electrical: Tin over copper underplate on IDC area.

Current rating: 3 Amp max.  
 Contact resistance: 20 mohms max  
 Insulation resistance: 5,000 Mohms min.  
 Dielectric withstanding voltage: 1,000 VAC for 1 minute  
 Temperature Rating: Operating temperature: -40°C to +105°C  
 Environmental: Lead free, RoHS compliant



# ADAM TECH

909 Railway Avenue, Union, NJ 07083  
 Phone: 908-687-5000 Fax: 908-687-5710

TITLE: .100 [2.54] x .100 [2.54] IDC LATCH HEADER  
 SHORT EJECTOR LATCHES, MOUNTING EARS

UNLESS OTHERWISE SPECIFIED ALL DIMENSIONS ARE INCHES [MM]	
TOLERANCES: EXCEPT AS NOTED	INCHES
.X ± .10	ØXX ± .10
.XX ± .020	ØXXX ± .015
.XXX ± .015	ØXXXX ± .010
APPROVALS	
DRAWN AY	DATE 3/24/14
CHECKED KW	DATE 3/24/14
APPROVED	

SIZE	PART NO.	REV.
X	MHF-XX-SGS-E	-

REF: S0041T SCALE: NTS SHEET 1 OF 1