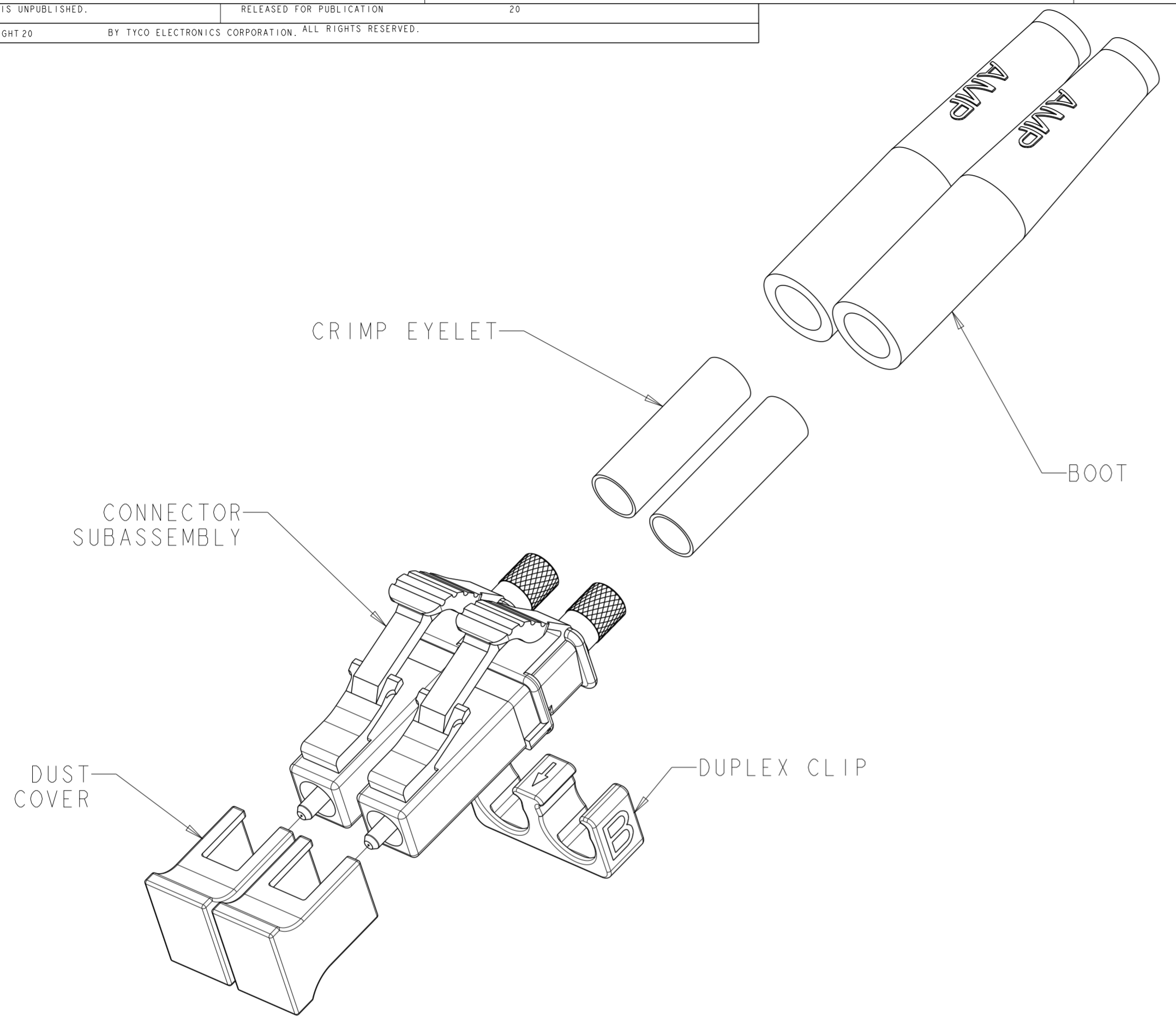


THIS DRAWING IS UNPUBLISHED. RELEASED FOR PUBLICATION 20
 © COPYRIGHT 20 BY TYCO ELECTRONICS CORPORATION. ALL RIGHTS RESERVED.

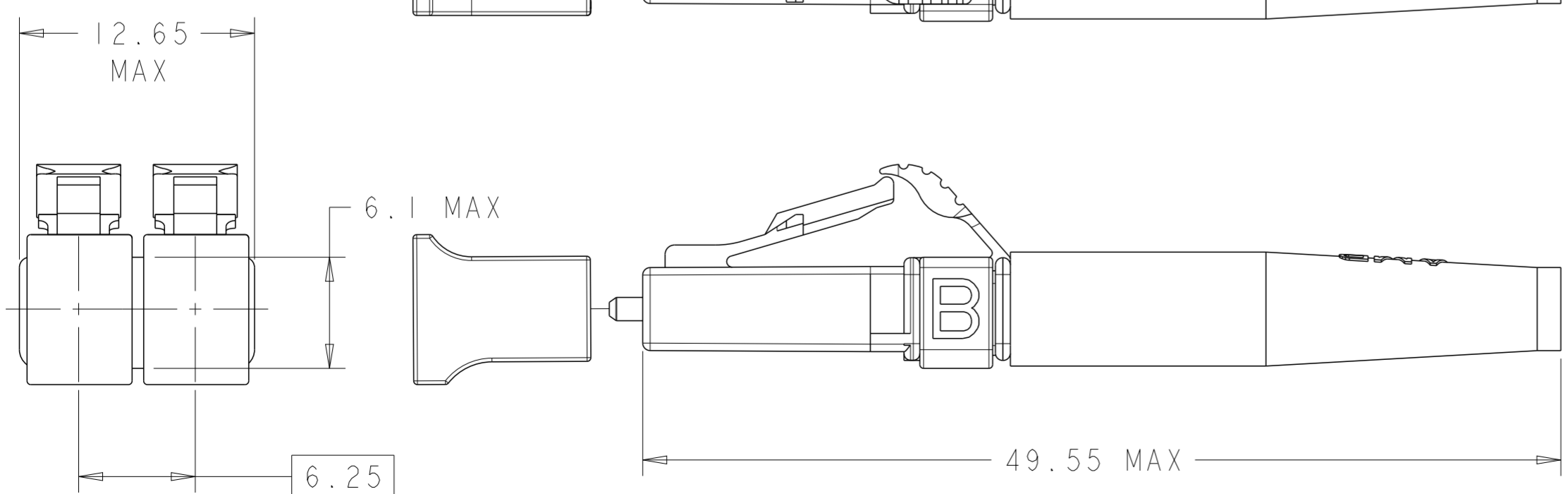
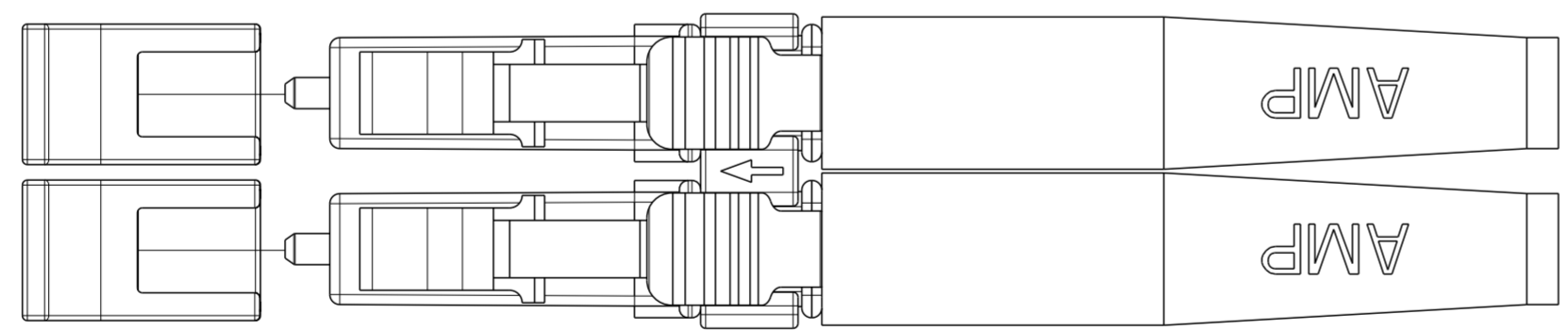
LOC	DIST	REVISIONS					
CE	00	P	LTR	DESCRIPTION	DATE	DWN	APVD
		E		REV; MCO-40024936MCO	19SEPT2015	HG	TE



1 MATERIAL
 PROTECTIVE COVER: TPE, COLOR: BLACK, UL94 HB*
 FERRULE SUBASSEMBLY: ZIRCONIA/METAL
 COMPRESSION SPRING: STAINLESS STEEL
 FRONT HOUSING: PEI, COLOR: BEIGE, UL94 V-0*
 INNER TUBING: PTFE, COLOR: CLEAR, UL VW-1
 REAR BODY: METAL
 BOOT: TPE, UL94 V-0*, SEE TABLE FOR COLOR
 CRIMP EYELET: NICKEL PLATED BRASS
 DUPLEX CLIP: PEI, COLOR: BLACK, UL94 V-0*
 *RATED AT QUALIFYING THICKNESS.

2 BULK PACKAGE.

3. INSTRUCTION SHEET: 408-8675 AVAILABLE FOR DOWNLOAD AT
www.tycoelectronics.com/documents OR
www.ampnetconnect.com/foguide.



2	BLACK	1918377-6
2	AQUA	1918377-5
	BLACK	1918377-4
	AQUA	1918377-3
2	BEIGE	1918377-2
	BEIGE	1918377-1
	BOOT COLOR	PART NUMBER

<small>THIS DRAWING IS A CONTROLLED DOCUMENT FOR TYCO ELECTRONICS CORPORATION IT IS SUBJECT TO CHANGE AND THE CONTROLLING ENGINEERING ORGANIZATION SHOULD BE CONTACTED FOR THE LATEST REVISION.</small>		DWN B. BRIGGS 02MAY2006 CHK D. ROHDE 02MAY2006 APVD S. BUCHTER 02MAY2006	Tyco Electronics Harrisburg, PA 17105-3608
DIMENSIONS: mm 	TOLERANCES UNLESS OTHERWISE SPECIFIED: 0 PLC ± 1 PLC ± 2 PLC ± 3 PLC ± 4 PLC ± ANGLES ± FINISH	PRODUCT SPEC APPLICATION SPEC WEIGHT	NAME KIT, CONNECTOR, LC, DUPLEX, MM, 3.0mm JACKET SIZE A200779 CAGE CODE C-1918377 DRAWING NO RESTRICTED TO
MATERIAL		Customer Drawing	SCALE 7:2 SHEET 1 OF 1 REV E