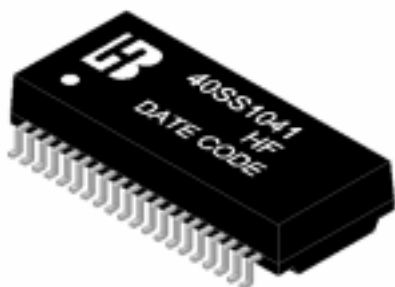


40 PIN SMD ETHERNET 10/100 BASE-TX QUAD PORT TRANSFORMER

P/N: 40SS1041 HF DATA SHEET

Feature



- 40-PIN SMD Package compatible with broadcom, NS TMI Davicom chips.
- Designed for multi-port repeater and switched Ethernet applications utilizing single RJ-45 connectors.
- Comply with ROHS & Halogen Free requirements.
- Operating temperature range : 0 to +70 .
- Storage temperature range: -25 to +85 .

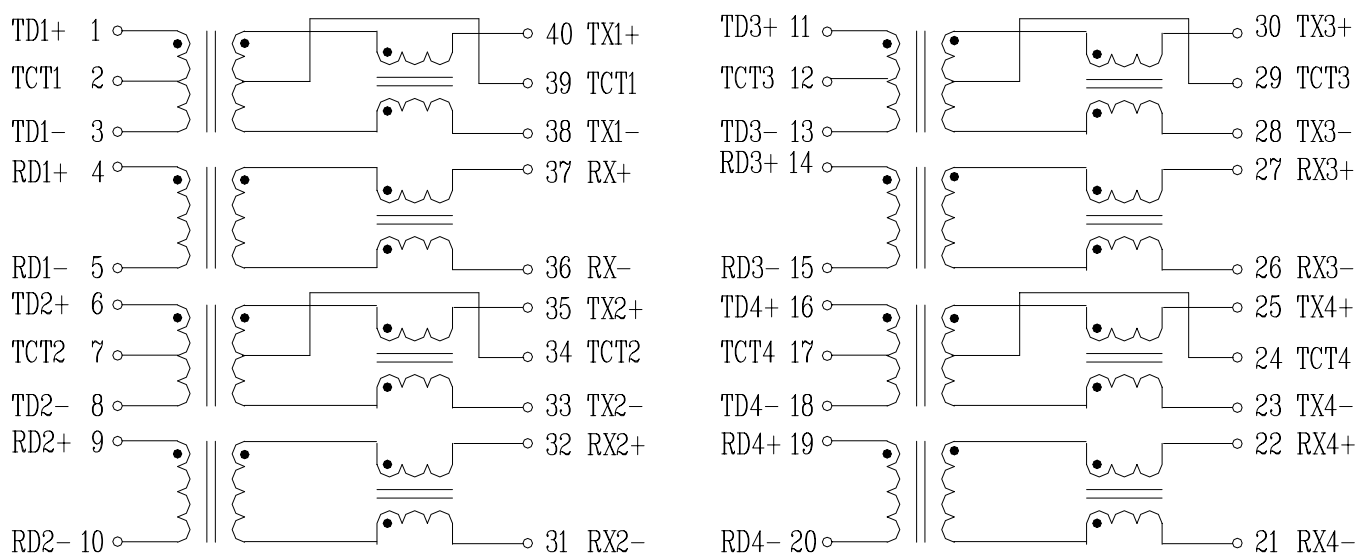
Electrical Specifications @ 25°C

Part Number	Turns Ratio (±5%)		OCL(μH Min) @100KHz/0.1Vrms with 8mA DC/Bias	L.L (μ H Max)	Cw/w (pF Max)	HI-POT (Vrms)
	TX	RX				
40SS1041 HF	1CT: 1CT	1:1	350	0.42	30	1500

Continue

Part Number	Insertion Loss (dB Max)	Return Loss (dB Min)			Cross talk (dB Min)		DCMR (dB Min)		
		0.3-100MHz	0.3-30MHz	30-60MHz	60-80MHz	0.3-60MHz	60-100MHz	60 MHz	100 MHz
40SS1041 HF	-1.15	-16	-12	-10	-40	-35	-37	-28	-25

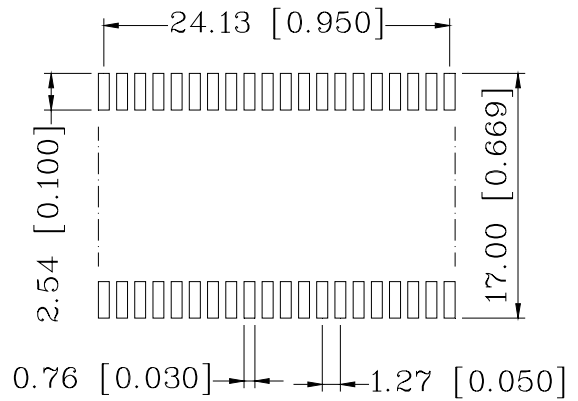
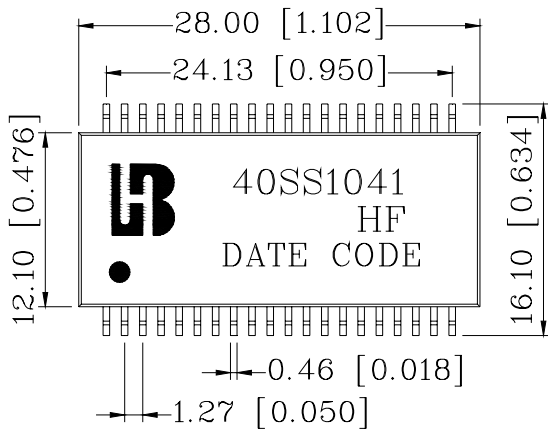
Schematic



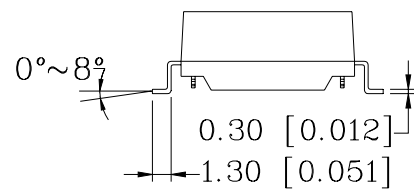
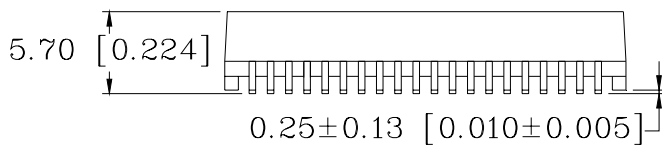
40 PIN SMD ETHERNET 10/100 BASE-TX QUAD PORT TRANSFORMER

P/N: 40SS1041 HF DATA SHEET

Mechanical



SUGGESTED PAD LAYOUT



Units: mm [Inches] Tolerances: xx.x0 ± 0.25 [0.010]
 0.xx ± 0.05 [0.002]