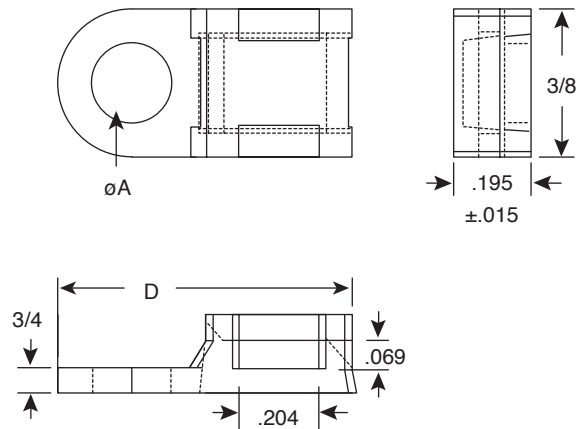


Date Last Revised: 10-30-06

Dimensions: in.



Part Number	Screw Size	Dim.: in.
		B
561-TA40170	#8	0.171
561-TA40200	#10	0.201

Mouser Electronics

Authorized Distributor

Click to View Pricing, Inventory, Delivery & Lifecycle Information:

[Eagle Plastic Devices:](#)

[561-TA40170](#) [561-TA40200](#)