

### General Description

This AP1694A Triac Dimmable GU10 12V/400mA Buck LEDs driver EV board use tapped transformer to increasing power conversion turn on duty cycle, boost current back to LED during ratio of tapped winding. Also the bigger gauge wire can be used as well as the large inductance can be suitable in switching loop which can reduce the switching current and the lower forward drop so that SBR diode can be used which can reduce the power consumption on the diodes.

### Key Features

- Typical 3% to 95% Dimming performance (Depends on dimmers brands)
- Boundary conductive switching mode
- Simple adjustable Constant Current
- Inductor Short Protection
- Low BOM cost
- PFC >0.9 & low THD.
- 100 to 135V<sub>AC</sub> input range
- >77% Efficiency
- With open, short, and wrong polarity LED protection

### Applications

- GU10 LED Offline small size bulb
- Candle size LED lamp
- Desktop lamps
- Under the counter lamps

### AP1694A EV10 Specifications

Parameter	Value
Input Voltage	100 to 135V <sub>AC</sub>
PFC	> 0.9
LED Current	400mA (Adjustable)
LED Voltage	12V
Efficiency	>77%
Number of LEDs	4 LEDs in series (Under Tested)
XYZ Dimension	28.5 x 16.5 x 14.5mm
ROHS Compliance	Yes

### Evaluation Board



Figure 1: Top View



Figure 2: Bottom View

### Connection Instructions

Input Voltage: 120V<sub>AC</sub> (AC+, AC-)  
LED Outputs: LED+ (Red), LED- (Black)

### WHY USE DIODES TAPPED TRANSFORM STRUCTURE

The traditional Buck converter turn on time is inverse proportion with input voltage.

$V_o = D \times V_{in}$ . The duty cycle will be getting smaller when the input voltage goes higher.

Example:  $V_o=12V$ ,  $V_{in}= 120V_{AC}$ ,  $F_s= 75kHz$ .

$$D = V_o/V_{in} * \sqrt{2} = 12V/120V * 1.414 = 0.07$$

$$T_{on}=D/F_s = 0.07/ 75kHz =0.933\mu s. T=1/F_s =13.33\mu s$$

Since the  $T_{on}$  time is too short in the duty cycle; therefore there is not enough current passing through the LEDs and charging the inductor. In result, it caused the efficiency to be lower.

In order to solve this issue - use the Diodes tapped transformer to boost the output current & increase the  $T_{on}$  time in the duty cycle.

With the “new tapped” transformer, the Duty cycle will be:

$D$  is original duty cycle =  $V_o/V_{in} * 1.414$ ,  $n = N_A + N_p / N_A$  &  $L = L_p + L_A$ ,

$$V_o/V_{in} = D' / (D' + n(1-D')), \text{ If } N_A=40T_s, N_p=100T_s, n=3.5$$

$$D' = nV_o / (V_{in} + (n-1)V_o) = 0.21 \text{ The duty cycle almost increased by 3 times.}$$

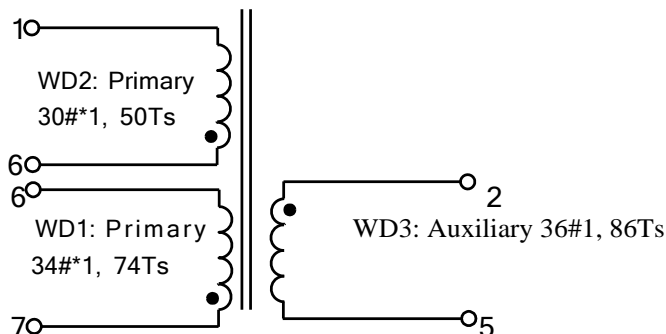
The Efficiency will increase about 4 to 5% (before the Efficiency was about 72% now is 77%) comparing with the “none tapped” transformer.

### DIODES TAPPED TRANSFORMER DESIGN

#### AP1694A 120V<sub>AC</sub> Buck tapped 12V 400mA Transformer Spec

##### 1) Bobbin

EEP10 4+4 pin



##### 2) Transformer Parameters

1. Primary Inductance (Pin1-Pin7, all other windings are open)  
 $L_p = 0.6\text{mH} \pm 5\% @ 1\text{kHz}$
2. Primary Winding Turns:  $N_p = 74\text{Ts (Pin 7-Pin 6)} + 50\text{Ts (Pin 6 to Pin 1)}$
3. Auxiliary Winding Turns (Pin2- Pin5):  $N_A = 86\text{Ts (Pin 2 to Pin 5)}$

##### 3) Transformer Winding Construction Diagram

Winding Number	Windings	Winding Specification
1	WD1-Primary Winding	Start at Pin 7, wind 74 turns of single $\Phi 34\#$ wire and finish on Pin 6.
	WD2-Primary Winding	Start at Pin 6, wind 50 turns of single $\Phi 30\#$ wire and finish on Pin 1.
2	Insulation	2 Layers of insulation tape
3	WD3-Auxiliary Winding	Start at Pin 2, wind 86 turns of single $\Phi 36\#$ wire and finish on Pin 5.
4	Insulation	2 Layers of insulation tape

### Evaluation Board Schematic

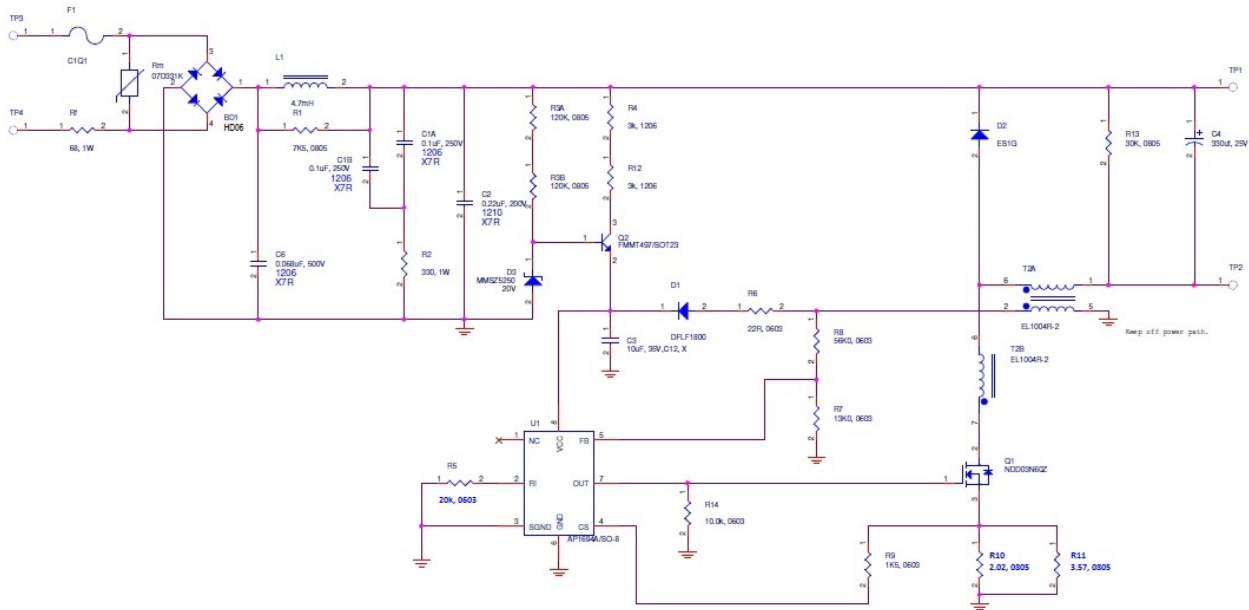


Figure 3: Evaluation Board Schematic

### Evaluation Board Layout



Figure 4: PCB Board Layout Top View



Figure 5: PCB Board Layout Bottom View

### Quick Start Guide

1. By default, the evaluation board is preset at 400mA LED Current adjustment by **R10//R11**.
2. Ensure that the AC source is switched OFF or disconnected.
3. Connect the AC line wires of power supply to “AC+ and AC-” on the left side of the board.
4. Connect the anode wire of external LED string to LED+ output test point.
5. Connect the cathode wire of external LED string to LED- output test point.
6. Turn on the main switch. LED string should light up.

### Bill of Material

#	Name	QTY	Part number	Manufacturer	Description
1	U1	1	AP1694AS-13	Diodes Inc	LED Driver, SO7
2	T1	1	EL1004R	Elite Electronics	EE10, Transformer
3	BD1	1	HD06-T	Diodes Inc	Bridge Rectifiers 0.8A 600V
4	D1	1	DFLU1400-7	Diodes Inc	Rectifier 1A/400V
5	D2	1	B1100B	Diodes Inc	Rectifier 1A/100V
6	D3	1	MMSZ5250B-7-F	Diodes Inc	Zener Diode, 20V
7	F1	1	C1Q1	Bel Fuse	Fuse, 1A/125V
8	Q1	1	AOU3N60	Alpha Omega	MOSFET N-CH 600V 3A IPAK
9	Q2	1	BSS127S-7	Diodes Inc	MOSFET N-CH 600V 0.05A SOT-23
10	L1	1	LPS6235-475MR	Coilcraft	4.7mH/130mA
11	C1A, C2	2	C1210X224K501T	Holystone	CAP CER 1210 0.22μF 200V X7R
12	C1B	0	Not fitted		
13	C3	1	GMK316BJ106KL-T	Taiyo Yuden	CAP CER 10μF 35V X5R 1206
14	C4	1	EEU-FR1E331B	Panasonic	CAP 330μF/25V (8 x 13mm)
15	C6	1	C1206X0683K501T	Holystone	CAP CER 1206 0.068μF 500V X7R
16	R1	1	RC0805FR-077K5L	Yageo America	RES 7.5KΩ 1/8W 1% 0805 SMD
17	R2	1	FMP100JR-52-330	Yageo America	RES 330Ω 1W 5% FMP100
18	R3A, R3B	2	RC0805FR-07120KL	Yageo America	RES 120KΩ 1/8W 1% 0805 SMD
19	R4	1	RC1206FR-073K0L	Yageo America	RES 3.0KΩ 1/8W 1% 1206 SMD
20	R5	1	RC0603FR-0720KL	Yageo America	RES 20KΩ 1/8W 1% 0603 SMD
21	R6	1	RC0603JR-0722RL	Yageo America	RES 22Ω 1/8W 1% 0603 SMD
22	R7	1	RC0603FR-0711KL	Yageo America	RES 11KΩ 1/8W 1% 0603 SMD
23	R8	1	RC0603FR-0772KL	Yageo America	RES 72KΩ 1/8W 1% 0603 SMD
24	R9	1	RC0603FR-071K5L	Yageo America	RES 1.5KΩ 1/8W 1% 0603 SMD
25	R10	1	MCR10ERTFL2R02	Rohm	RES 2.02Ω 1/8W 1% 0805 SMD
26	R11	1	MCR10ERTFL3R57	Rohm	RES 3.57Ω 1/8W 1% 0805 SMD
27	R12	1	RC1206FR-073K0L	Yageo America	RES 3.0KΩ 1/8W 1% 1206 SMD
28	R13	1	RC0805FR-0730K0L	Yageo America	RES 30KΩ 1/8W 1% 0805 SMD
29	R14	1	RC0201JR-0710KL	Yageo America	RES 10KΩ 1/8W 1% 0603 SMD
30	Rf	1	FMP100JR-52-680	Yageo America	RES 68Ω 1W 1% FMP
31	Rm	1	MOV-07D431KTR	Bournes	MOV, 275VAC

### Functional Performance

Manuf	Board Type	V <sub>IN</sub> (V <sub>AC</sub> )	PFC	P <sub>IN</sub> (W)	V <sub>LED</sub> (V)	I <sub>LED</sub> (mA)	P <sub>LED</sub> (W)	I <sub>LED</sub> (%)	Efficiency (%)	A <sub>thd</sub> (%)
Diodes Inc	AP1694AEV10 Module Board	100	0.982	5.54	11.28	377.0	4.25	-5.75	77.6	11.1
		110	0.979	6.02	11.30	407.3	4.60	1.60	77.4	13.5
		120	0.972	6.03	11.29	414.2	4.68	3.65	77.5	16.9
		130	0.967	6.08	11.28	419.6	4.73	4.90	77.2	17.2
		135	0.951	6.23	11.27	422.1	4.76	5.55	76.4	19.3

### Functional Performance

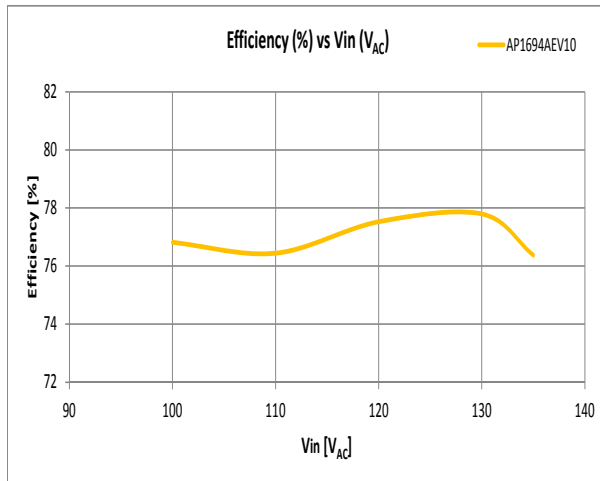


Figure 6. Efficiency vs. Vin

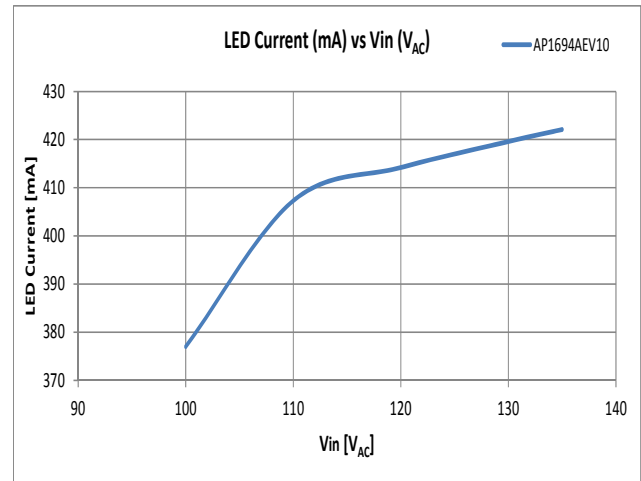


Figure 7. LED Current vs. Vin

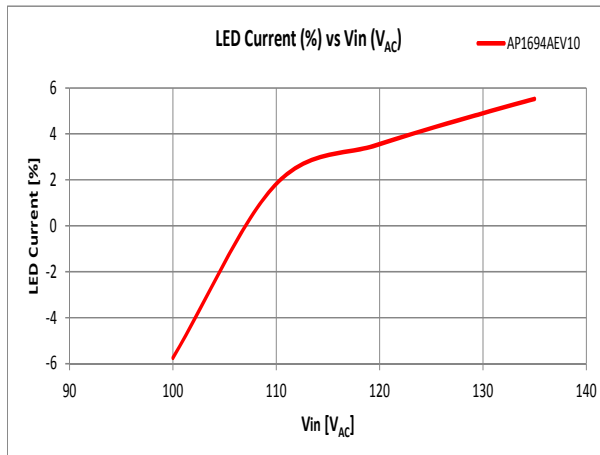


Figure 8. LED Current Line Regulation

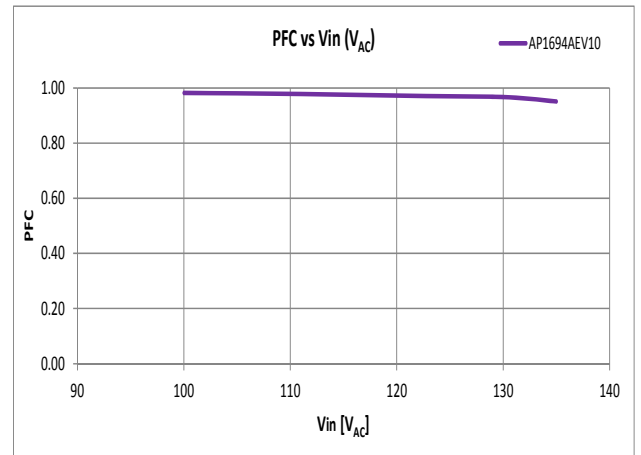


Figure 9. PFC vs. Vin

**Performance Waveforms**

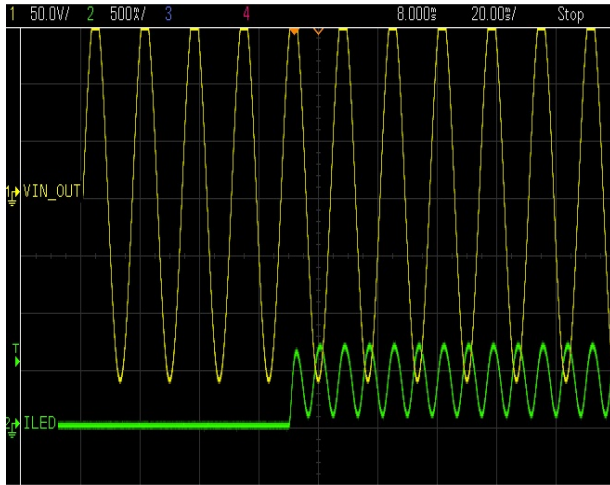


Figure 10. Turn on time (80mS) at 120V<sub>AC</sub> input

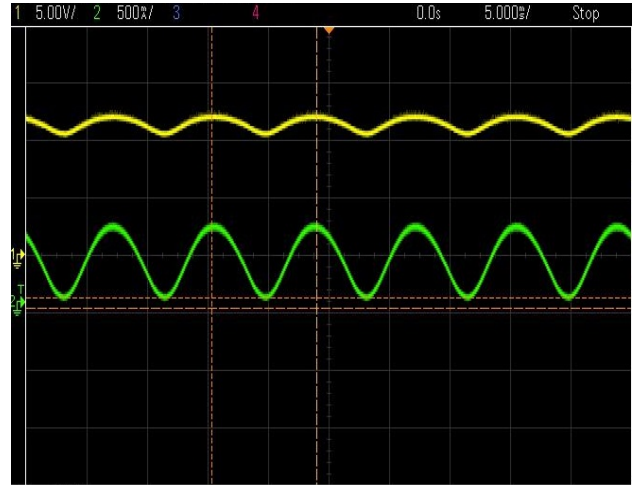


Figure 11. Output Voltage & Current at 120V<sub>AC</sub>



Figure 12. Input AC voltage vs. output current

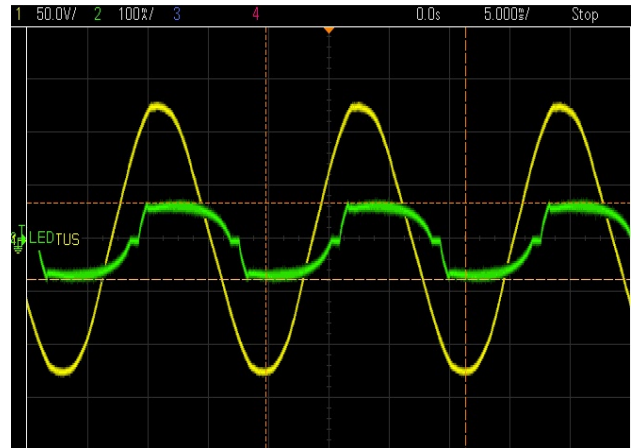


Figure 13. Input AC voltage vs. input AC current

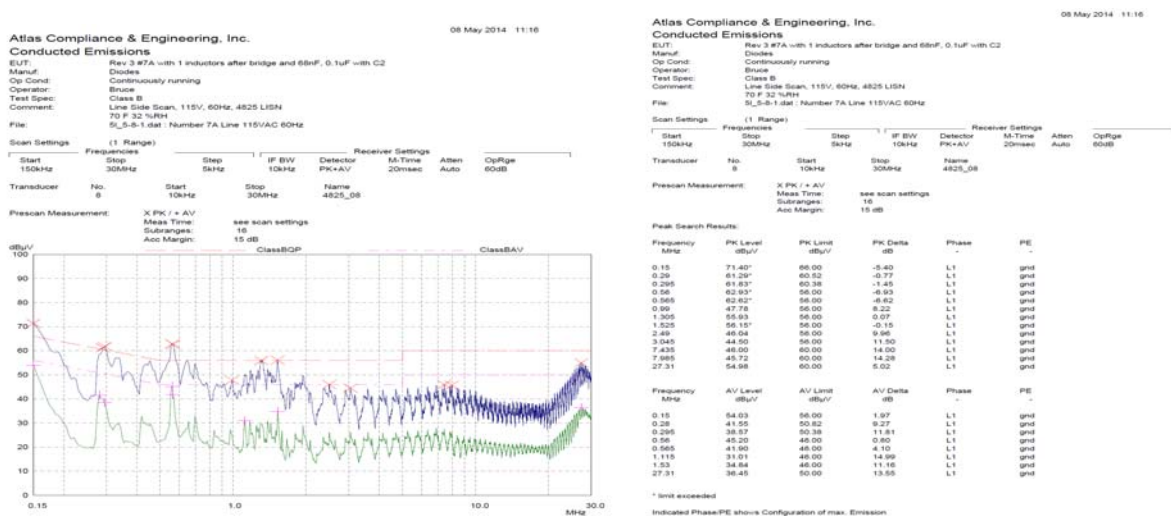
### Dimmer Compatibility Performance List (120V<sub>AC</sub> Dimmers)

Index	120V <sub>AC</sub> Dimmers		I <sub>o</sub> (mA)		Dimming (%)		Performance Result (No flicker)
	Brand	Model	min	max	min	max	
1	Lutron	S-603PG	8.5	283.6	2.1	70.9	✓
2		D-603PGH	0	284.2	0	71.1	✓
3		LG-600P	21	345.0	5.3	86.3	✓
4		DV-600P	19	348.7	4.8	87.2	✓
5		D-600PH	0	333.5	0	83.4	✓
6	Leviton	6681	11	398.9	2.8	99.7	✓
7		6631	7.2	365.1	1.8	91.3	✓
8	Cooper	SAL06P	44	387.1	11	96.8	✓

Note: ✓ = No Flicker

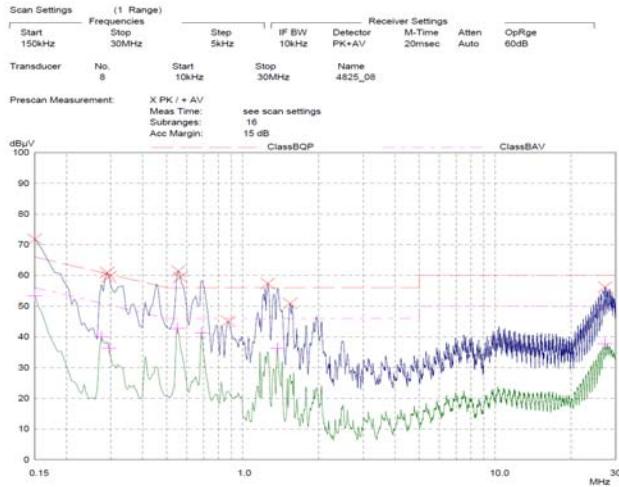
### EMC test result

### Conductive emission noise level (Pass with 15db margin)

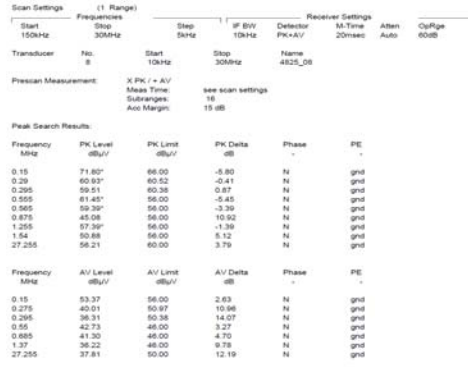




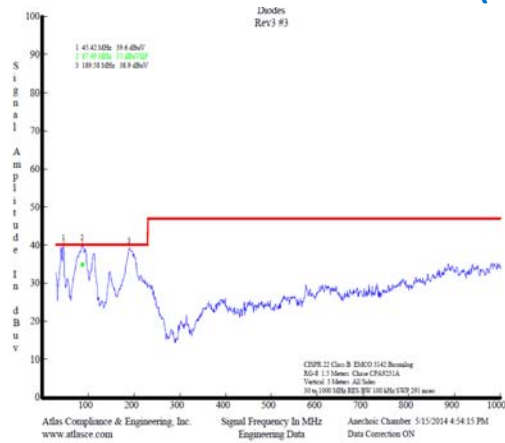
Atlas Compliance & Engineering, Inc.  
08 May 2014 11:22  
Conducted Emissions  
EUT: Rev 3 #7A with 1 inductors after bridge and 68nF, 0.1uF with C2  
Manuf: Diodes  
Op Cond: Continuously running  
Operator: Bruce  
Test Spec: Class B  
Comment: Neutral Side Scan, 115V, 60Hz, 4825 LISN  
70 F 32 %RH  
File: Sn\_S-8-1.dat : Number 7A Neutral 115VAC 60Hz



Atlas Compliance & Engineering, Inc.  
08 May 2014 11:22  
Conducted Emissions  
EUT: Rev 3 #7A with 1 inductors after bridge and 68nF, 0.1uF with C2  
Manuf: Diodes  
Op Cond: Continuously running  
Operator: Bruce  
Test Spec: Class B  
Comment: Neutral Side Scan, 115V, 60Hz, 4825 LISN  
70 F 32 %RH  
File: Sn\_S-8-1.dat : Number 7A Neutral 115VAC 60Hz



**Radiated emission noise level (Pass, please zoom in to see the green mark)**



Note: Green color data are after VQP, will be 5db down than normal

### IMPORTANT NOTICE

DIODES INCORPORATED MAKES NO WARRANTY OF ANY KIND, EXPRESS OR IMPLIED, WITH REGARDS TO THIS DOCUMENT, INCLUDING, BUT NOT LIMITED TO, THE IMPLIED WARRANTIES OF MERCHANTABILITY AND FITNESS FOR A PARTICULAR PURPOSE (AND THEIR EQUIVALENTS UNDER THE LAWS OF ANY JURISDICTION).

Diodes Incorporated and its subsidiaries reserve the right to make modifications, enhancements, improvements, corrections or other changes without further notice to this document and any product described herein. Diodes Incorporated does not assume any liability arising out of the application or use of this document or any product described herein; neither does Diodes Incorporated convey any license under its patent or trademark rights, nor the rights of others. Any Customer or user of this document or products described herein in such applications shall assume all risks of such use and will agree to hold Diodes Incorporated and all the companies whose products are represented on Diodes Incorporated website, harmless against all damages.

Diodes Incorporated does not warrant or accept any liability whatsoever in respect of any products purchased through unauthorized sales channel.

Should Customers purchase or use Diodes Incorporated products for any unintended or unauthorized application, Customers shall indemnify and hold Diodes Incorporated and its representatives harmless against all claims, damages, expenses, and attorney fees arising out of, directly or indirectly, any claim of personal injury or death associated with such unintended or unauthorized application.

Products described herein may be covered by one or more United States, international or foreign patents pending. Product names and markings noted herein may also be covered by one or more United States, international or foreign trademarks.

This document is written in English but may be translated into multiple languages for reference. Only the English version of this document is the final and determinative format released by Diodes Incorporated.

### LIFE SUPPORT

Diodes Incorporated products are specifically not authorized for use as critical components in life support devices or systems without the express written approval of the Chief Executive Officer of Diodes Incorporated. As used herein:

A. Life support devices or systems are devices or systems which:

1. are intended to implant into the body, or
2. support or sustain life and whose failure to perform when properly used in accordance with instructions for use provided in the labeling can be reasonably expected to result in significant injury to the user.

B. A critical component is any component in a life support device or system whose failure to perform can be reasonably expected to cause the failure of the life support device or to affect its safety or effectiveness.

Customers represent that they have all necessary expertise in the safety and regulatory ramifications of their life support devices or systems, and acknowledge and agree that they are solely responsible for all legal, regulatory and safety-related requirements concerning their products and any use of Diodes Incorporated products in such safety-critical, life support devices or systems, notwithstanding any devices- or systems-related information or support that may be provided by Diodes Incorporated. Further, Customers must fully indemnify Diodes Incorporated and its representatives against any damages arising out of the use of Diodes Incorporated products in such safety-critical, life support devices or systems.

Copyright © 2015, Diodes Incorporated

[www.diodes.com](http://www.diodes.com)