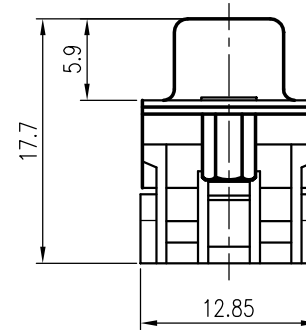
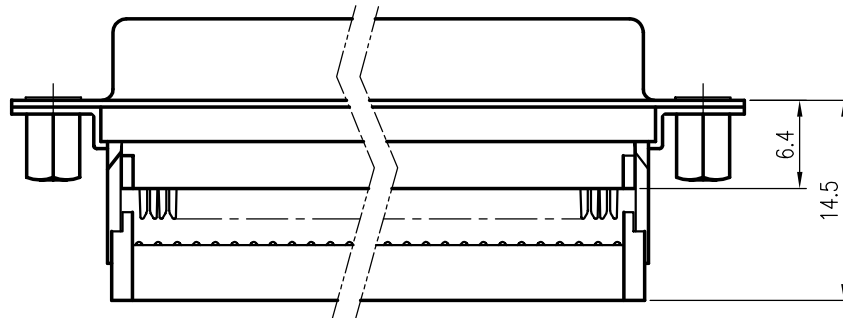
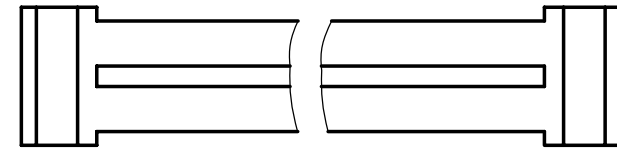
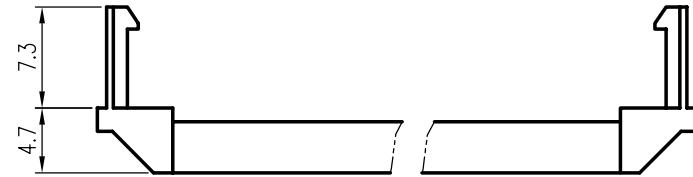
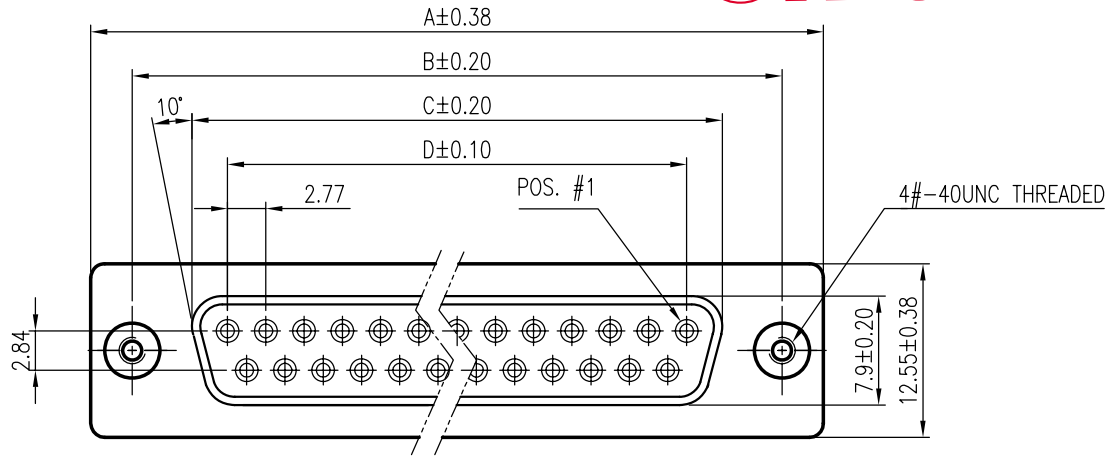


This document is the property of Amphenol Corporation and is delivered on the express condition that it is not to be disclosed, reproduced or used, in whole or in part, for manufacture or sale by anyone other than Amphenol Corporation without its prior consent, and that no right is granted to disclose or to use any information in this document.

CUSTOMER DRAWING ORIGINAL

| REVISIONS | | | | |
|-----------|---------|------------------|------------|----------|
| SYM | ECN No. | DESCRIPTION | DATE | APPROVED |
| A | | RELEASE FOR RoHS | 07/07/2005 | Henry Ko |



STRAIN RELIEF



AFTER ASSEMBLY

NOTES:

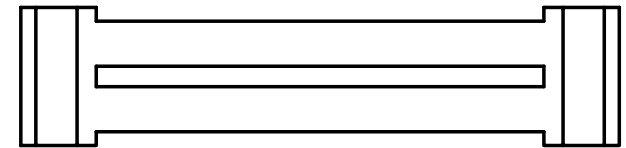
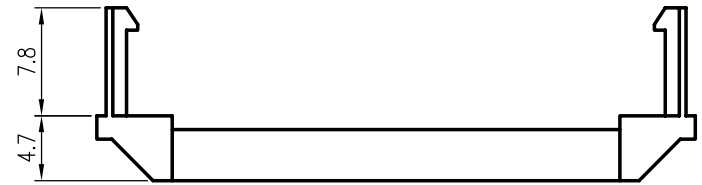
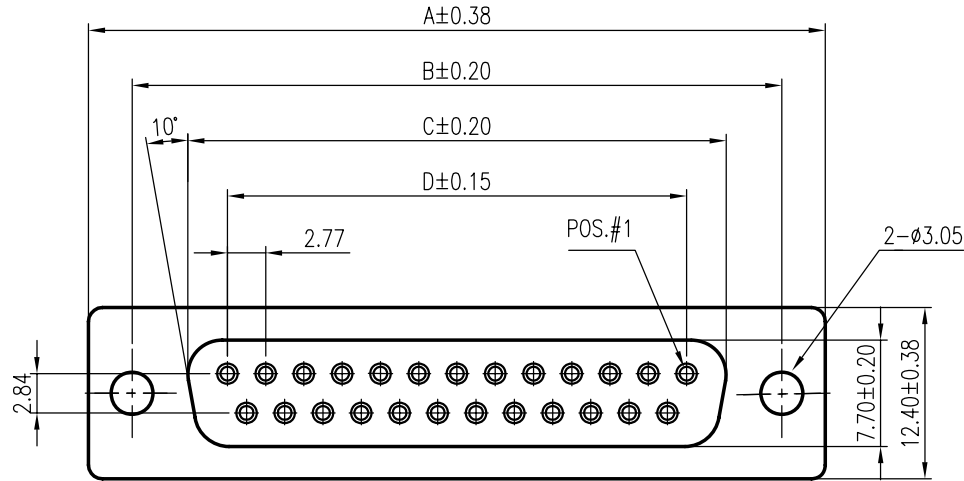
- FRONT SHELL FINISH: NICKEL PLATED
- CONTACT: PHOSPHOR BRONZE, SELECTIVE GOLD PLATED
- INSULATOR: PBT, UL 94V-0, COLOR- BLACK
- THIS PRODUCT DOESN'T CONTAIN ENVIRONMENTAL HAZARDOUS MATERIALS PER DIRECTIVE 2002/95/EC FOR RoHS.

| | | | | | TOLERANCE m/m | APPROVALS | DATE | TITLE | Amphenol® | | |
|-----------------|-------|-------|-------|-----------|----------------------------|-------------------------|----------|--|---|------------------------|--------|
| 37 | 69.32 | 63.50 | 54.76 | 49.86 | x. ±0.30 | DRAWN Sondra Sang | 07/07/05 | G17K SERIES FLAT RIBBON CABLE IDC D-SUB, RECEPTACLE MATEL SHELL | Amphenol Corporation Amphenol Taiwan Corporation | | |
| 25 | 53.04 | 47.04 | 38.38 | x.x ±0.25 | CHECKED Laura Su | | | | | | |
| 15 | 39.24 | 33.32 | 24.56 | 19.39 | x.xx ±0.15 | APPROVED Ken Lin for | 07/07/05 | | SCALE N.A. | SHEET 1 OF 1 | REV. A |
| 9 | 30.84 | 24.99 | 16.24 | 11.08 | x.xxx ±0.08 | | | DRAWING NO. | | | |
| NO. OF POSITION | A | B | C | D | ANGULAR ±2° | | | SIZE A4 | G17K XXOX 2011 EU | DSUB-G17KXXOX2011EU-25 | |
| | | | | | UNLESS OTHERWISE SPECIFIED | | | UNIT MM | | | |

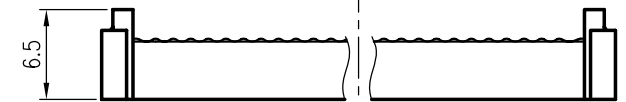
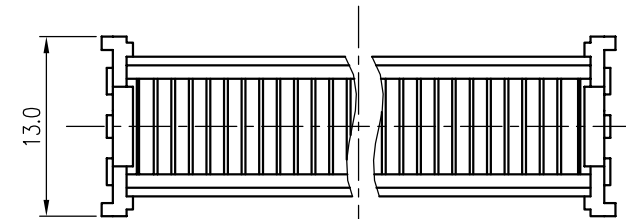
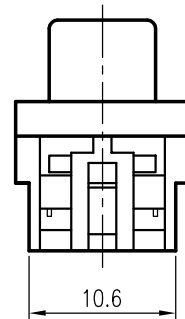
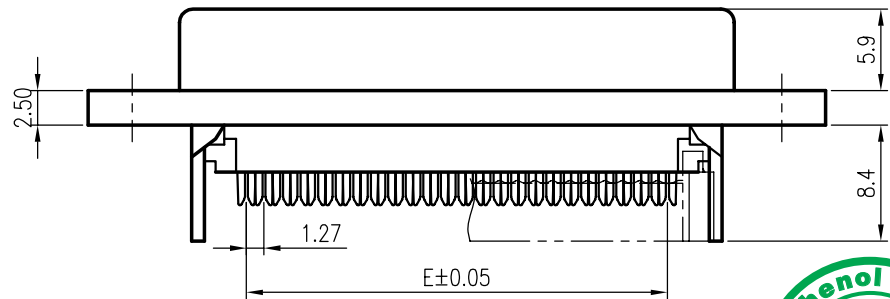
This document is the property of Amphenol Corporation and is delivered on the express condition that it is not to be disclosed, reproduced or used, in whole or in part, for manufacture or sale by anyone other than Amphenol Corporation without its prior consent, and that no right is granted to disclose or to use any information in this document.

CUSTOMER DRAWING ORIGINAL

| REVISIONS | | | | |
|-----------|---------|------------------|------------|----------|
| SYM | ECN No. | DESCRIPTION | DATE | APPROVED |
| A | | RELEASE FOR RoHS | 10/07/2005 | Henry Ko |



STRAIN RELIEF



IDC COVER

NOTES:

- CONTACTS FINISH: SELECTIVE GOLD PLATED
- INSULATOR: PBT GLASS FIBER FILLED UL 94V-0, COLOR- BLACK
- THIS PRODUCT DOESN'T CONTAIN ENVIRONMENTAL HAZARDOUS MATERIALS PER DIRECTIVE 2002/95/EC FOR RoHS.



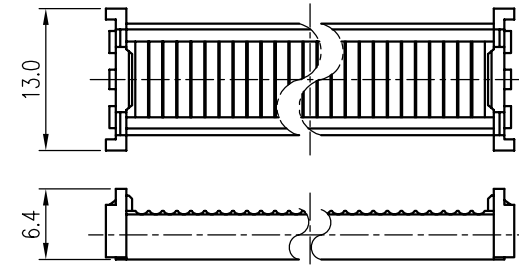
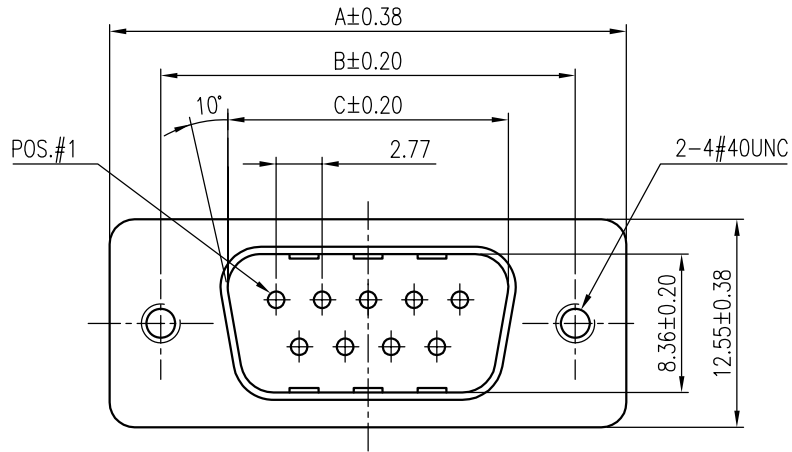
| PART NUMBERS | NO. OF CONTACTS | DIM. A | DIM. B | DIM. C | DIM. D | DIM. E | TOLERANCE m/m | APPROVALS | DATE | TITLE | Amphenol® Amphenol Corporation Amphenol Taiwan Corporation |
|-------------------|-----------------|---------|----------|----------|--------|--------|----------------------------|------------|-------------|-------------------------------|---|
| | | | | | | | x. | ± 0.30 | DRAWN | | |
| x.x | ± 0.25 | CHECKED | Laura Su | 10/07/05 | | | | | | | |
| G17K 090X 3101 EU | 9 | 30.50 | 24.99 | 16.00 | 11.08 | 10.16 | ± 0.15 | APPROVED | Ken Lin for | 10/07/05 | |
| G17K 150X 3101 EU | 15 | 39.00 | 33.32 | 24.27 | 19.39 | 17.78 | ± 0.08 | | | | |
| G17K 250X 3101 EU | 25 | 53.08 | 47.04 | 38.22 | 33.24 | 30.48 | ANGULAR $\pm 2^\circ$ | | | | |
| G17K 370X 3101 EU | 37 | 69.25 | 63.50 | 54.65 | 49.86 | 45.72 | UNLESS OTHERWISE SPECIFIED | UNIT | MM | SIZE | DRAWING NO. DSUB-G17KXXOX3101EU-25 |
| | | | | | | | | MM | A3 | PART NO. G17K XXOX 3101 EU | SHEET 1 OF 1 REV. A |

This document is the property of Amphenol Corporation and is delivered on the express condition that it is not to be disclosed, reproduced or used, in whole or in part, for manufacture or sale by anyone other than Amphenol Corporation without its prior consent, and that no right is granted to disclose or to use any information in this document.

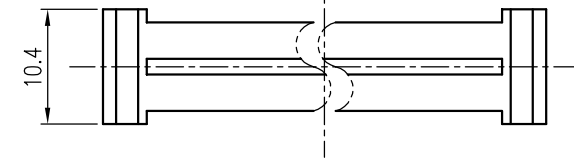
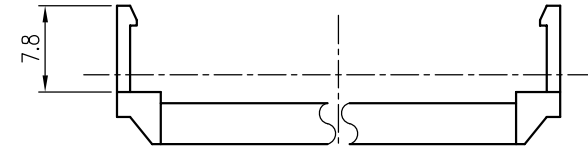
CUSTOMER DRAWING

ORIGINAL

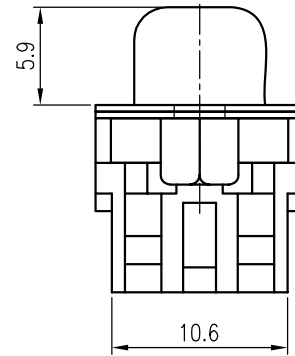
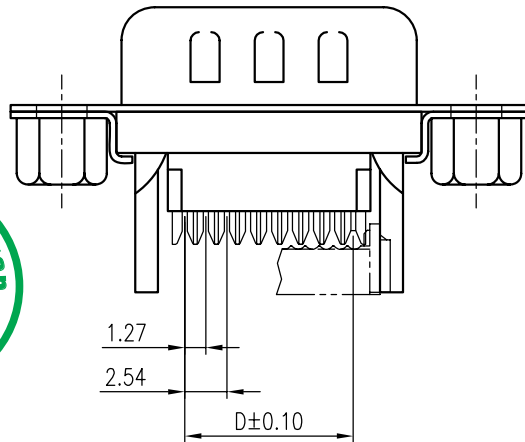
| REVISIONS | | | | |
|-----------|---------|------------------|------------|----------|
| SYM | ECN No. | DESCRIPTION | DATE | APPROVED |
| A | | RELEASE FOR RoHS | 08/16/2005 | Henry Ko |



IDC COVER



STRAIN RELIEF



NOTES:

- FRONT SHELL FINISH: SELECTIVE PLATED
- CONTACTS FINISH: SELECTIVE GOLD PLATED
- INSULATOR: PBT GLASS FIBER FILLED UL 94V-0, COLOR- BLACK
- THIS PRODUCT DOESN'T CONTAIN ENVIRONMENTAL HAZARDOUS MATERIALS PER DIRECTIVE 2002/95/EC FOR RoHS.

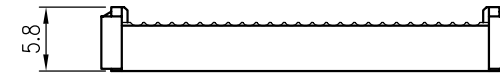
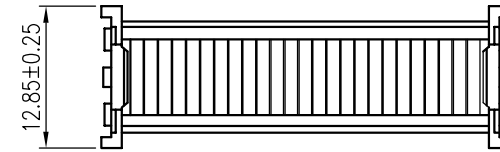
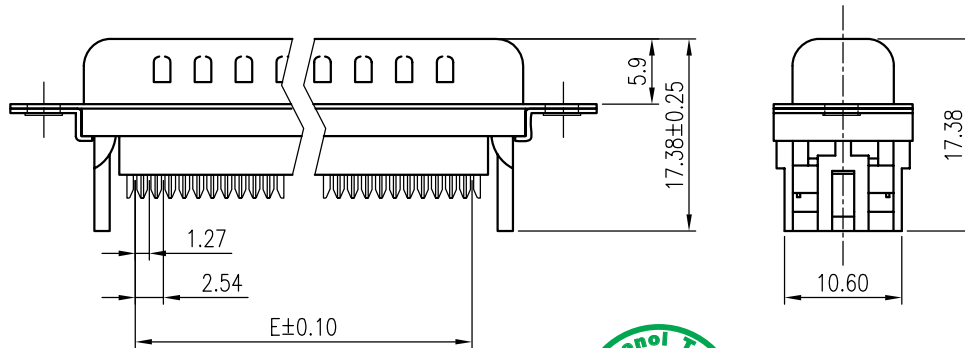
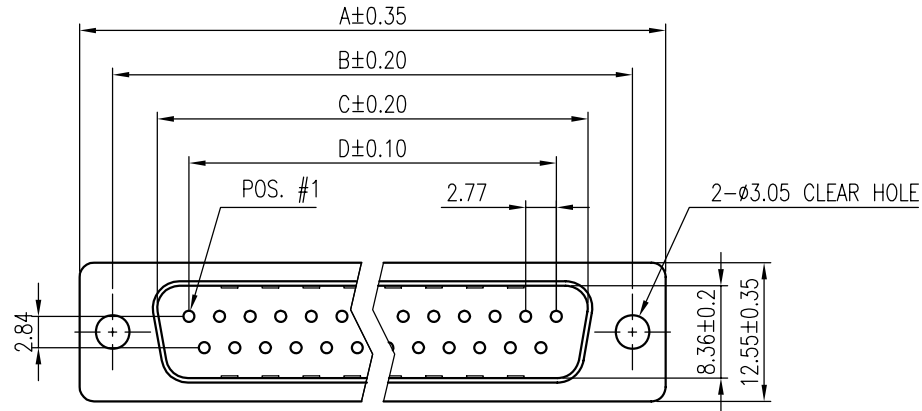
| PART NUMBERS | NO. OF CONTACTS | DIM. A | DIM. B | DIM. C | DIM. D | TOLERANCE m/m | | APPROVALS | | DATE | TITLE | Amphenol® Amphenol Corporation Amphenol Taiwan Corporation | |
|----------------------------|-----------------|--------|--------|--------|--------|---------------|---------|-------------|-------------|----------|---|---|------------------------|
| | | | | | | x. | ANGULAR | DRAWN | APPROVED | | | | |
| G17K 091X X011 EU | 9 | 31.16 | 24.99 | 16.92 | 10.16 | x. | ±0.30 | Sondra Sang | Ken Lin for | 08/16/05 | G17K SERIES FLAT RIBBON CABLE IDC D-SUB, PLUG | SCALE | N.A. |
| G17K 151X X011 EU | 15 | 39.42 | 33.32 | 25.50 | 17.78 | x.x | ±0.25 | Laura Su | | 08/16/05 | | SHEET | 1 OF 1 |
| G17K 251X X011 EU | 25 | 53.34 | 47.04 | 38.96 | 30.48 | x.xx | ±0.15 | | | | | SIZE | A3 |
| G17K 371X X011 EU | 37 | 69.68 | 63.50 | 55.45 | 45.72 | x.xxx | ±0.08 | | | | | PART NO. | G17K XX1X X011 EU |
| | | | | | | ANGULAR | ±2° | | | | | DRAWING NO. | DSUB-G17KXX1XX011EU-25 |
| UNLESS OTHERWISE SPECIFIED | | | | | | | | UNIT | MM | | REV. | A | |

This document is the property of Amphenol Corporation and is delivered on the express condition that it is not to be disclosed, reproduced or used, in whole or in part, for manufacture or sale by anyone other than Amphenol Corporation without its prior consent, and that no right is granted to disclose or to use any information in this document.

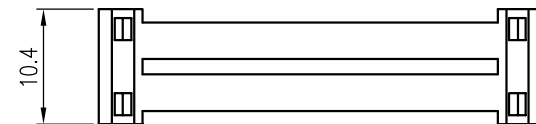
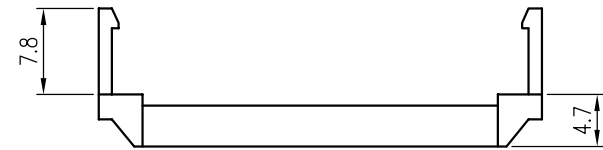
CUSTOMER DRAWING

ORIGINAL

| REVISIONS | | | | |
|-----------|---------|------------------|------------|----------|
| SYM | ECN No. | DESCRIPTION | DATE | APPROVED |
| A | | RELEASE FOR RoHS | 12/15/2005 | Henry Ko |



IDC COVER



STRAIN RELIEF

NOTES:

1. INSULATOR: PBT, UL 94V-0, COLOR- BLACK
2. CONTACT: BRASS, SELECTIVE GOLD PLATED
3. SHELL: STEEL, TIN OR NICKEL OR ZINC CHROMATED PLATED
4. THIS PRODUCT DOESN'T CONTAIN ENVIRONMENTAL HAZARDOUS MATERIAL PER DIRECTIVE 2002/95/EC FOR RoHS.



| | | | | | |
|-------------|-------|-------|-------|-------|-------|
| 37 | 69.40 | 63.50 | 55.42 | 49.86 | 45.72 |
| 25 | 53.05 | 47.04 | 38.96 | 33.24 | 30.48 |
| 15 | 39.20 | 33.32 | 25.50 | 19.39 | 17.78 |
| 9 | 30.80 | 24.99 | 16.92 | 11.08 | 10.16 |
| NO. OF POS. | A | B | C | D | E |

| <table border="1" style="width: 100%; border-collapse: collapse;"> <tr> <th>TOLERANCE m/m</th> <td>x. ±0.30</td> </tr> <tr> <td>x.x ±0.25</td> </tr> <tr> <td>x.xx ±0.15</td> </tr> <tr> <td>x.xxx ±0.08</td> </tr> <tr> <td>ANGULAR ±2°</td> </tr> </table> | TOLERANCE m/m | x. ±0.30 | x.x ±0.25 | x.xx ±0.15 | x.xxx ±0.08 | ANGULAR ±2° | <table border="1" style="width: 100%; border-collapse: collapse;"> <tr> <th>APPROVALS</th> <th>DATE</th> </tr> <tr> <td>DRAWN Sondra Sang</td> <td>12/15/05</td> </tr> <tr> <td>CHECKED Jack Liu</td> <td>12/15/05</td> </tr> <tr> <td>APPROVED Jeff Liu</td> <td>12/15/05</td> </tr> </table> | APPROVALS | DATE | DRAWN Sondra Sang | 12/15/05 | CHECKED Jack Liu | 12/15/05 | APPROVED Jeff Liu | 12/15/05 | <table border="1" style="width: 100%; border-collapse: collapse;"> <tr> <th>DATE</th> <td>12/15/05</td> </tr> </table> | DATE | 12/15/05 | <table border="1" style="width: 100%; border-collapse: collapse;"> <tr> <th>TITLE</th> <td>G17K SERIES FLAT RIBBON CABLE IDC D-SUB, PLUG MATEL SHELL</td> </tr> </table> | TITLE | G17K SERIES FLAT RIBBON CABLE IDC D-SUB, PLUG MATEL SHELL | <h2 style="margin: 0;">Amphenol®</h2> <p style="margin: 0;">Amphenol Corporation Amphenol Taiwan Corporation</p> |
|--|--|-------------------|--|--|-------------|--|--|-----------|-------|----------------------|----------|---------------------|----------|----------------------|----------|--|------|----------|--|-------|--|--|
| | TOLERANCE m/m | x. ±0.30 | | | | | | | | | | | | | | | | | | | | |
| | x.x ±0.25 | | | | | | | | | | | | | | | | | | | | | |
| | x.xx ±0.15 | | | | | | | | | | | | | | | | | | | | | |
| x.xxx ±0.08 | | | | | | | | | | | | | | | | | | | | | | |
| ANGULAR ±2° | | | | | | | | | | | | | | | | | | | | | | |
| APPROVALS | DATE | | | | | | | | | | | | | | | | | | | | | |
| DRAWN Sondra Sang | 12/15/05 | | | | | | | | | | | | | | | | | | | | | |
| CHECKED Jack Liu | 12/15/05 | | | | | | | | | | | | | | | | | | | | | |
| APPROVED Jeff Liu | 12/15/05 | | | | | | | | | | | | | | | | | | | | | |
| DATE | 12/15/05 | | | | | | | | | | | | | | | | | | | | | |
| TITLE | G17K SERIES FLAT RIBBON CABLE IDC D-SUB, PLUG MATEL SHELL | | | | | | | | | | | | | | | | | | | | | |
| UNLESS OTHERWISE SPECIFIED | | | <table border="1" style="width: 100%; border-collapse: collapse;"> <tr> <td style="text-align: center;">UNIT</td> <td style="text-align: center;">MM</td> </tr> </table> | UNIT | MM | <table border="1" style="width: 100%; border-collapse: collapse;"> <tr> <td>SCALE</td> <td>N.A.</td> <td>SHEET</td> <td>1 OF 1</td> </tr> </table> | SCALE | N.A. | SHEET | 1 OF 1 | | | | | | | | | | | | |
| UNIT | MM | | | | | | | | | | | | | | | | | | | | | |
| SCALE | N.A. | SHEET | 1 OF 1 | | | | | | | | | | | | | | | | | | | |
| <table border="1" style="width: 100%; border-collapse: collapse;"> <tr> <td>SIZE</td> <td>A4</td> </tr> </table> | | SIZE | A4 | <table border="1" style="width: 100%; border-collapse: collapse;"> <tr> <td>DRAWING NO.</td> <td>DSUB-G17KXX1XX001EU-25</td> </tr> </table> | DRAWING NO. | DSUB-G17KXX1XX001EU-25 | <table border="1" style="width: 100%; border-collapse: collapse;"> <tr> <td>REV.</td> <td>A</td> </tr> </table> | REV. | A | | | | | | | | | | | | | |
| SIZE | A4 | | | | | | | | | | | | | | | | | | | | | |
| DRAWING NO. | DSUB-G17KXX1XX001EU-25 | | | | | | | | | | | | | | | | | | | | | |
| REV. | A | | | | | | | | | | | | | | | | | | | | | |
| <table border="1" style="width: 100%; border-collapse: collapse;"> <tr> <td colspan="2" style="text-align: center;">G17K XX1X X001 EU</td> </tr> </table> | | G17K XX1X X001 EU | | <table border="1" style="width: 100%; border-collapse: collapse;"> <tr> <td colspan="2" style="text-align: center;">DRAWING NO. DSUB-G17KXX1XX001EU-25</td> </tr> </table> | | DRAWING NO. DSUB-G17KXX1XX001EU-25 | | | | | | | | | | | | | | | | |
| G17K XX1X X001 EU | | | | | | | | | | | | | | | | | | | | | | |
| DRAWING NO. DSUB-G17KXX1XX001EU-25 | | | | | | | | | | | | | | | | | | | | | | |

PART NUMBER SYSTEM **PNS-17K Rev. D**

ORIGINAL

G17K XX XX XXX XX

D-subminiature IDC Termination

Number of Position

- 09: 09 positions
- 15: 15 positions
- 25: 25 positions
- 37: 37 positions
- 50: 50 positions
- :

Contact Style

- 0: Receptacle
- 1: Plug

Contact Finish

- 0: Flash gold
- 1: 15μ" gold
- 2: 30μ" gold
- 3: Full flash gold

Front Shell Finish

- 0: Zinc chromated
- 1: Tin over nickel
- 2: Nickel
- 3: Whole plastic type

Variation Code

- Blank: Standard
- E: For E type

Strain Relief Option

- 0: None
- 1: With plastic strain relief
- 2: With steel strain relief

Flange Mounting Option

- 0: φ3.05mm clear hole
- 1: #4-40 threaded hole
- 2: #4-40 threaded hole with #4-40UNC screwlock installed
- 3: #4-40 threaded hole with #4-40UNC screwlock bulk-packed
- 4: M3 threaded hole
- 5: M3 threaded hole with M3 screwlock installed
- 6: #4-40 threaded hole with M2.6 screwlock bulk-packed
- 7: #4-40 threaded screwlock clinched-mount installed

Bracket Options

- 0: Without insulator support
- 1: With insulator support



- ! All contacts are in 50μ" nickel underplate
- ! All specified numbers are minimum thickness of plating.
- ! The variation code may supersede some major specifications defined by this standard part number system
- ! For part number with a variation code. Please refer to the specific set of data sheets released for that

| | | | | | | | |
|-------------|----------|--------------|------------|--|--|-----------------------|--|
| | | | | TITLE | | PRODUCT SERIES | |
| | | | | G17K SERIES, PART NUMBER | | G17K | |
| D | NE-05266 | Henry Ko | 08/30/2005 | This document is the property of Amphenol Corporation and is delivered on the express condition that it is not to be disclosed, reproduced or used, in whole or in part, for manufacture or sale by anyone other than Amphenol Corporation without its prior consent, and that no right is granted to disclose or to use any information in this document. | | | |
| C | NE-00020 | Arthur Huang | 01/14/2000 | | | | |
| B | NE-99182 | Arthur Huang | 06/07/1999 | | | | |
| A | | Arthur Huang | 09/23/1997 | | | | |
| SYM | ECO NO. | APPROVED | DATE | | | | |
| PREPARED | | DATE | | CHECKED | | DATE | |
| Sondra sang | | 08/30/2005 | | Laura Su | | 08/30/2005 | |
| | | | | APPROVED | | DATE | |
| | | | | Ken Lin for | | 08/30/2005 | |