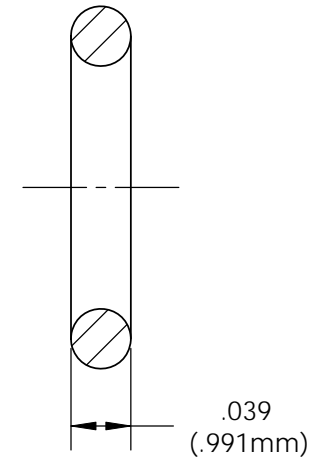
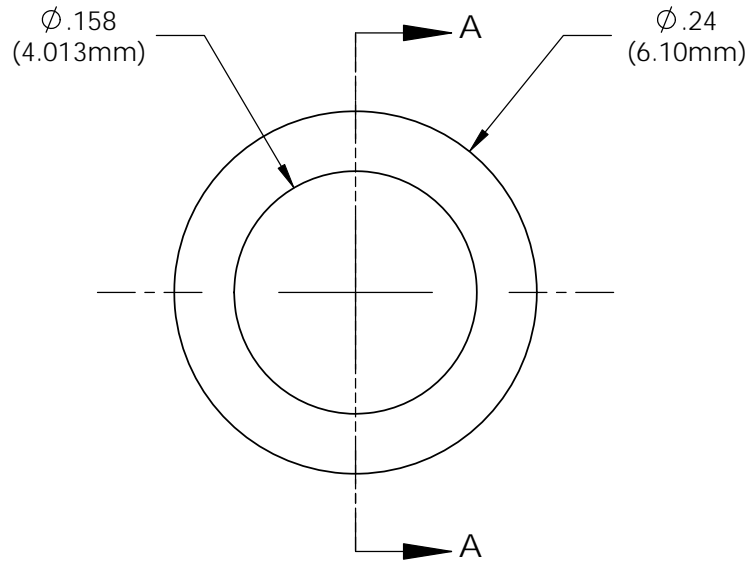


NOTES:

- 1) OPERATING TEMPERATURE: -65°F to +300°F
- 2) FINISH: Parts shall have a smooth appearance, with no gates and all flash removed
- 3) DELTA SEAL P/N E309-90-014
- 4) U.S. & Foreign Pat. Issued & Pend.

REVISIONS				
ECN #	REV	DESCRIPTION	DATE	INITIALS
	N/A	INITIAL RELEASE	7/12/01	JS
	001	REVISED PER ECR 111009AZ01	2/12/10	KH



SECTION A-A



ISOMETRIC VIEW

<small>UNLESS OTHERWISE SPECIFIED DIMENSIONS ARE IN INCHES:</small> ANGLES DECIMALS $\pm 1^\circ$.X $\pm .020$.XX $\pm .010$ FINISH .XXX $\pm .005$ <small>BREAK ALL CORNERS AND SHARP EDGES: .050 MAX</small>	MATERIAL ETHYLENE PROPYLENE DIENE RUBBER (EPDM) 70 DUROMETER (BLACK)		VISUAL COMMUNICATIONS COMPANY 190 Bosstick Boulevard, Suite 101 San Marcos, CA 92069 USA Phone (760) 560-1300 Fax (760) 560-1301 email vccsales@vcclite.com	
	FINISH SEE NOTES		TITLE: LENS SPACER SPC 040	
 <small>THIRD ANGLE PROJECTION</small>	APPROVALS	DATE		
	DRAWN K.Howard	2/12/10		
<small>PROPRIETARY AND CONFIDENTIAL</small> <small>THE INFORMATION CONTAINED IN THIS DRAWING IS THE SOLE PROPERTY OF VISUAL COMMUNICATIONS COMPANY, INC. ANY REPRODUCTION IN PART OR AS A WHOLE WITHOUT THE WRITTEN PERMISSION OF VISUAL COMMUNICATIONS COMPANY, INC. IS PROHIBITED.</small>	CHECKED DPZ	2/22/10		
	DO NOT SCALE DRAWING		SIZE DWG. NO. REV A SPC 040_E 001	
		SCALE: 8:1 SHEET 1 OF 1		