

### General Description

MX852BB0030 CMIC™ (clock management IC) is a member of the ClockWorks® FUSION family of devices that integrates the crystal, synthesizer and fanout buffers in a single 5mm x 7mm LGA Package.

Integrating the entire clock chain delivers 200fs typical phase noise performance including fanout and crosstalk. The device operates from a 2.5V or 3.3V power supply.

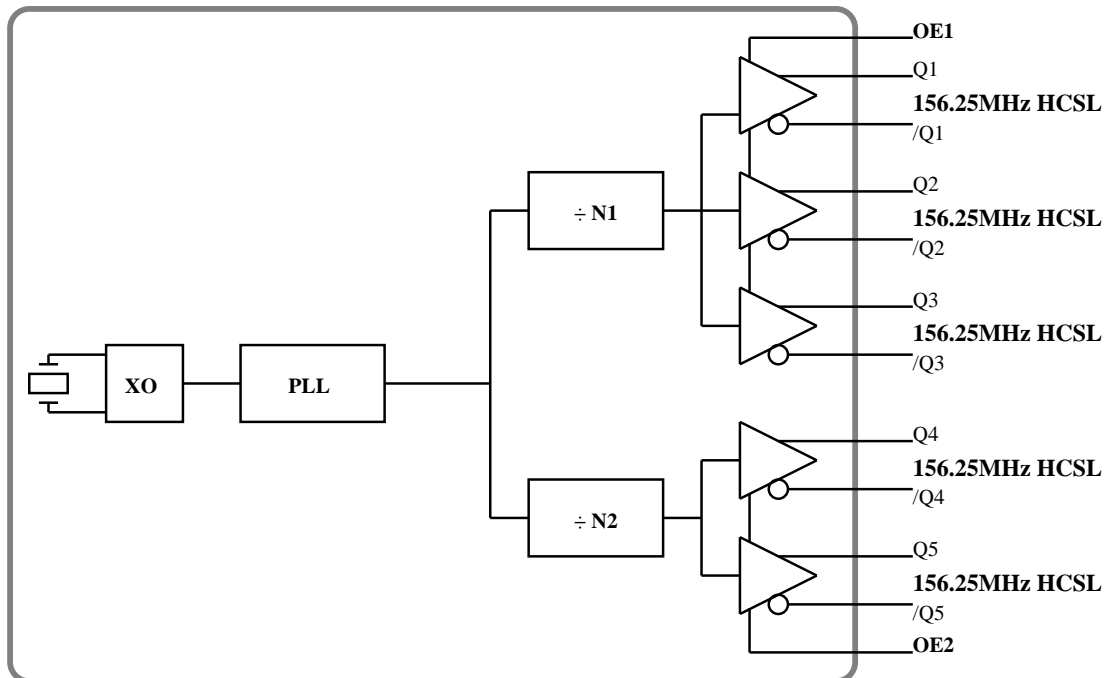
### Applications

- 10/40/400 Gigabit Ethernet
- Fibre Channel 10G/12G SERDES

### Features

- Generates 5 output clocks
- Frequency and output logic:
  - 156.25MHz HCSL x 5
- Integrated quartz crystal for frequency reference
- Typical phase noise:
  - 100fs (Integration range: 1.875MHz-20MHz)
  - 200fs (Integration range: 12kHz-20MHz)
- Complete ultra-low jitter clocking solution
- OE on banks 1 and 2
- 2.5V or 3.3V operating voltage range
- ±50ppm total stability
- -40°C to +85°C temperature range
- 38-Pin 5mm x 7mm LGA package

### Block Diagram



ClockWorks is a registered trademark of Micrel, Inc

Micrel Inc. • 2180 Fortune Drive • San Jose, CA 95131 • USA • tel +1 (408) 944-0800 • fax + 1 (408) 474-1000 • <http://www.micrel.com>

07/13/15  
MX852B-1479-Rev 0.7

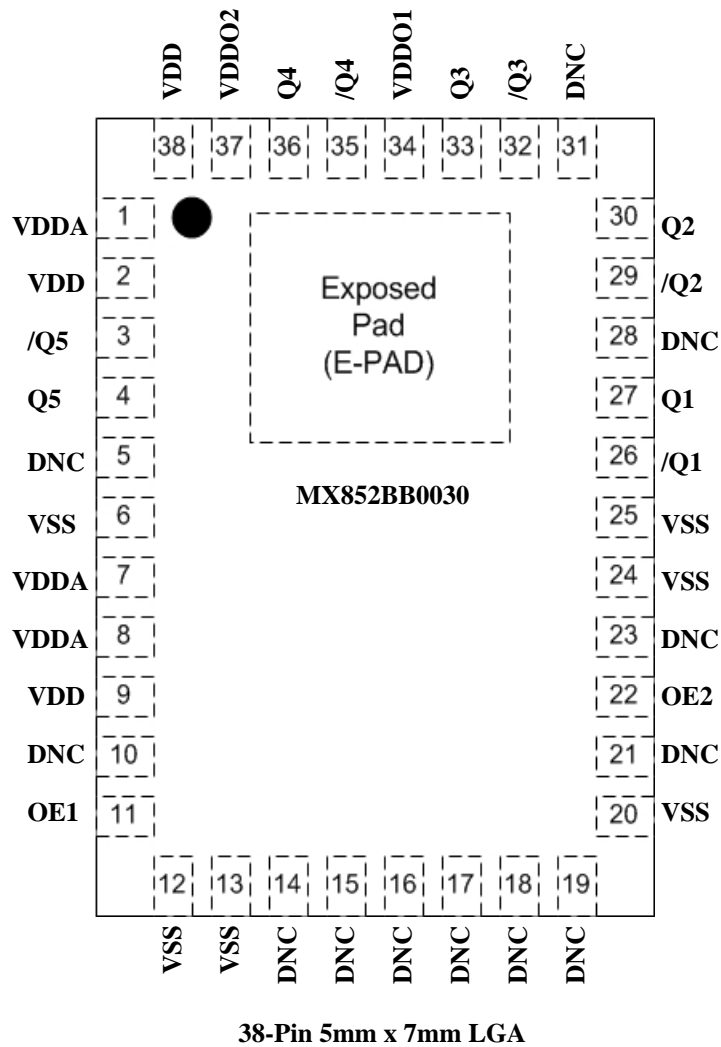
M9999-071315-A  
[tcghelp@micrel.com](mailto:tcghelp@micrel.com) or (408) 955-1690

## Ordering Information

Ordering Part Number	Marking Line 1	Marking Line 3	Shipping	Package
MX852BB0030	MX852B	B0030	Tube	38-Pin 5mm x 7mm LGA
MX852BB0030 TR	MX852B	B0030	Tape and Reel	38-Pin 5mm x 7mm LGA

Devices are Green and RoHS compliant. Sample material may have only a partial top mark.

## Pin Configuration



## Pin Description

Pin Number	Pin Name	Pin Type	Pin Level	Pin Function
1, 7, 8	VDDA	PWR		Analog Power Supply
2, 9, 38	VDD	PWR		Power Supply
3, 4	/Q5, Q5	O, Diff	HCSL	Bank 2 Clock Output Frequency = 156.25MHz
5, 14, 15, 16, 17 18, 19, 21, 23, 28, 31	DNC			Do not connect anything to these pins.
6, 24, 25 EPAD	VSS (Exposed Pad)	PWR		Power Supply Ground. The exposed pad must be connected to the VSS ground plane.
10	DNC			Do not connect
11	OE1	I, SE	LVC MOS	Output Enable, Bank 1 outputs disable to tri-state, 0 = Disabled, 1 = Enabled, 45k Ohms Pull-Up
12, 13, 20	VSS	PWR		Crystal Ground
22	OE2	I, SE	LVC MOS	Output Enable, Bank 2 outputs disable to tri-state, 0 = Disabled, 1 = Enabled, 45k Ohms Pull-Up
26, 27	/Q1, Q1	O, Diff	HCSL	Bank 1 Clock Output Frequency = 156.25MHz
29, 30	/Q2, Q2	O, Diff	HCSL	Bank 1 Clock Output Frequency = 156.25MHz
32, 33	/Q3, Q3	O, Diff	HCSL	Bank 1 Clock Output Frequency = 156.25MHz
34	VDDO1	PWR		Power Supply for the Outputs on Bank 1
35, 36	/Q4, Q4	O, Diff	HCSL	Bank 2 Clock Output Frequency = 156.25MHz
37	VDDO2	PWR		Power Supply for the Outputs on Bank 2

**Absolute Maximum Ratings<sup>1</sup>**

Supply Voltage (VDDA, VDD, VDDOx).....+4.6V  
 Input Voltage (VIN).....-0.5V to VDD + 0.5V  
 Lead Temperature (soldering, 20s).....260°C  
 Storage Temperature (T<sub>g</sub>).....-65°C to +150°C

**Operating Ratings<sup>2</sup>**

Supply Voltage (VDDOx, VDD, VDDA)  
 .....+2.375V to +3.465V  
 Ambient Temperature (TA).....-40°C to +85°C  
 Junction Thermal Resistance  
 LGA (T<sub>JA</sub>) Still Air.....38.5°C/W

**Electrical Characteristics<sup>3</sup>**

VDD = VDDA = VDDO1 = VDDO2 = 3.3V ±5% or 2.5V ±5%  
 VDD = VDDA = 3.3V ±5%, VDDO1 = VDDO2 = 3.3V ±5% or 2.5V ±5%  
 TA = -40°C to +85°C, unless otherwise noted.

Symbol	Parameter	Condition	Min.	Typ.	Max.	Units
VDDX	2.5V Operating Voltage		2.375	2.5	2.625	V
	3.3V Operating Voltage		3.135	3.3	3.465	
IDD	Core Supply Current	Outputs not loaded			210.36	mA
FO	Output Frequency	Bank 1 and 2		156.25		MHz
Fstability	Frequency Stability	Note 4. Frequency stability over temperature Total stability			±20 ±50	ppm
Tstart	Start-Up Time				20	ms
Tskew	Output-to-Output Skew	Note 5			50	ps
TR/TF	Output Rise/Fall time	20% - 80% HCSL output	150	300	450	ps
ODC	Output Duty Cycle	<350MHz output frequencies	48	50	52	%
Tjit(Ø)	RMS Phase Noise	156.25MHz HCSL				fs
		Integration range (12kHz-20MHz)		162		
		Integration range (1.875MHz-20MHz)		73		
	Integration range (12kHz-40MHz)		260			
Period Jitter		Pk-Pk (E5001A, 100Hz-40MHz)		1.6	5	ps
		RMS (E5001A, 100Hz-40MHz)		135		fs
		PK-PK (10K Samples, DSA80000B)		5	10	ps

**LVC MOS Inputs DC Electrical Characteristics (OE1, OE2)<sup>3</sup>**

VDD = 3.3V ±5% or 2.5V ±5%, TA = -40°C to +85°C

Symbol	Parameter	Condition	Min.	Typ.	Max.	Units
VIH	Input High Voltage		2		VDD + 0.3	V
VIL	Input Low Voltage		-0.3		0.8	V
IIH	Input High Current	VDD = VIN = 3.465V			150	µA
IIL	Input Low Current	VDD = 3.465V, VIN = 0V	-150			µA

**Notes:**

- Permanent device damage may occur if absolute maximum ratings are exceeded. This is a stress rating only and functional operation is not implied at conditions other than those detailed in the operational sections of this data sheet. Exposure to absolute maximum rating conditions for extended periods may affect device reliability.
- The datasheet limits are not guaranteed if the device is operated beyond the operating ratings.
- The circuit is designed to meet the AC and DC specifications shown in the Electrical Characteristics table after thermal equilibrium has been established.
- Inclusive of temperature drift, aging, initial accuracy, shock, and vibration. Operating temperature range dependent on part number configuration.
- Skew between output buffers. Measured at the output differential crossing points. Applies to outputs at the same supply voltage using same output format.

### HCSL DC Electrical Characteristics<sup>3</sup>

VDD = VDDO1 = VDDO2 = 3.3V  $\pm$ 5% or 2.5V  $\pm$ 5%

VDD = 3.3V  $\pm$ 5%, VDDO1 = VDDO2 = 3.3V  $\pm$ 5% or 2.5V  $\pm$ 5%

TA = -40°C to +85°C, RL = 50 Ohms to VSS

Symbol	Parameter	Condition	Min.	Typ.	Max.	Units
VOH	Output High Voltage		660	700	850	mV
VOL	Output Low Voltage		-150	0	27	mV
Vcross	Crossing Point Voltage		250	350	550	mV

## Application Information

### Output Traces

Design the traces for the output signals according to the output logic requirements. If LVCMOS is unterminated, add a 30 Ohms resistor in series with the output, as close as possible to the output pin and start a 50 Ohms trace on the other side of the resistor. For differential traces you can either use a differential design or two separate 50 Ohms traces. For EMI reasons, it is better to use a balanced differential design. LVDS can be AC coupled or DC coupled to its termination.

### Power Supply Decoupling

Place the smallest value decoupling capacitor (4.7nF below) between the VDD and VSS pins, as close as possible to those pins and at the same side of the PCB as the IC. The shorter the physical path from VDD to capacitor and back from capacitor to VSS, the more effective the decoupling.

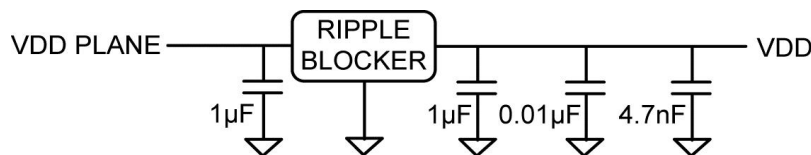
Use one 4.7nF capacitor for each VDD pin.

The impedance value of the Ferrite Bead (FB) needs to be between 240 Ohms and 600 Ohms with a saturation current  $\geq 150\text{mA}$ .

The VDDO1 and VDDO2 pins connect directly to the VDD Plane. All VDD pins connect to VDD after the power supply filter.

### Power Supply Filtering Recommendations

Preferred filter, using Micrel MIC94300 or MIC94310 Ripple Blocker:



Alternative, traditional filter, using a ferrite bead:

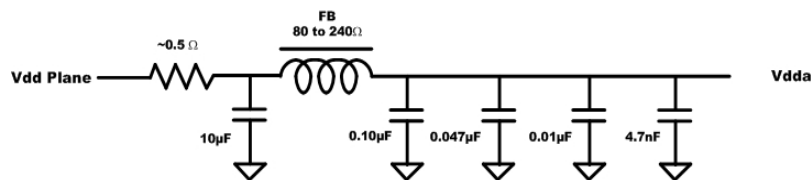


Figure 1. VDDA (Analog) traditional Pi filter

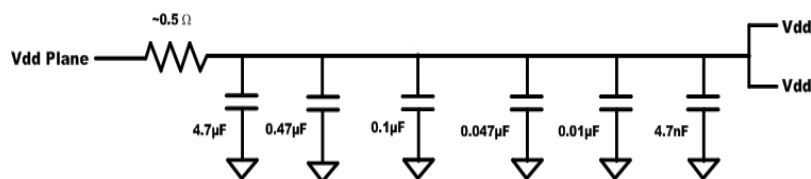


Figure 2. Recommended Power Supply Filtering

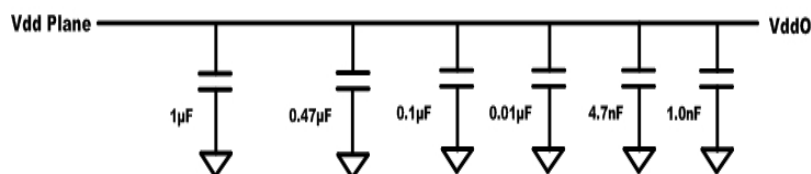


Figure 3. Recommended decoupling for each VDDO

### Timing Diagrams

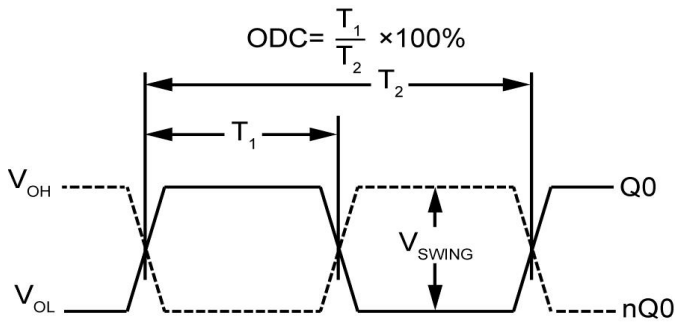


Figure 4. Duty Cycle Timing

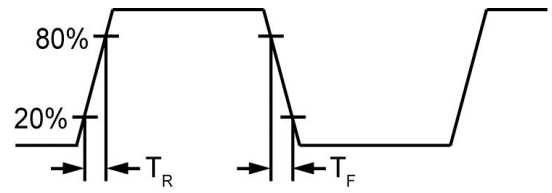


Figure 5. All Outputs Rise/Fall Time

### RMS Phase/Noise/Jitter

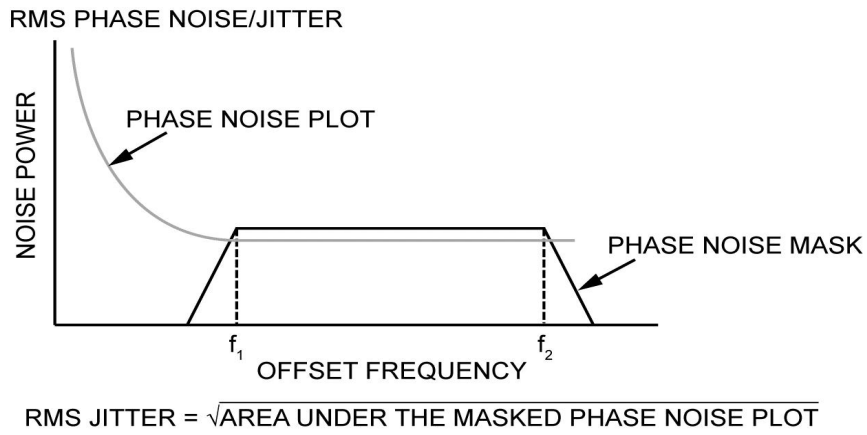


Figure 6. RMS Phase/Noise/Jitter

### Output Termination

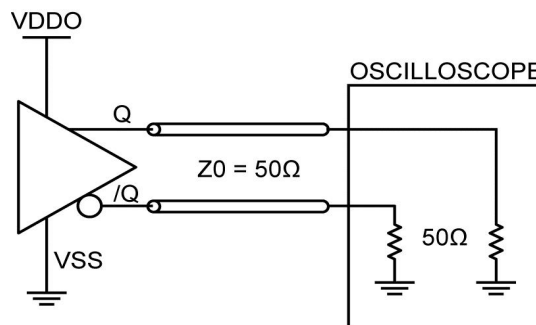


Figure 7. HCSL Output Load and Test Circuit

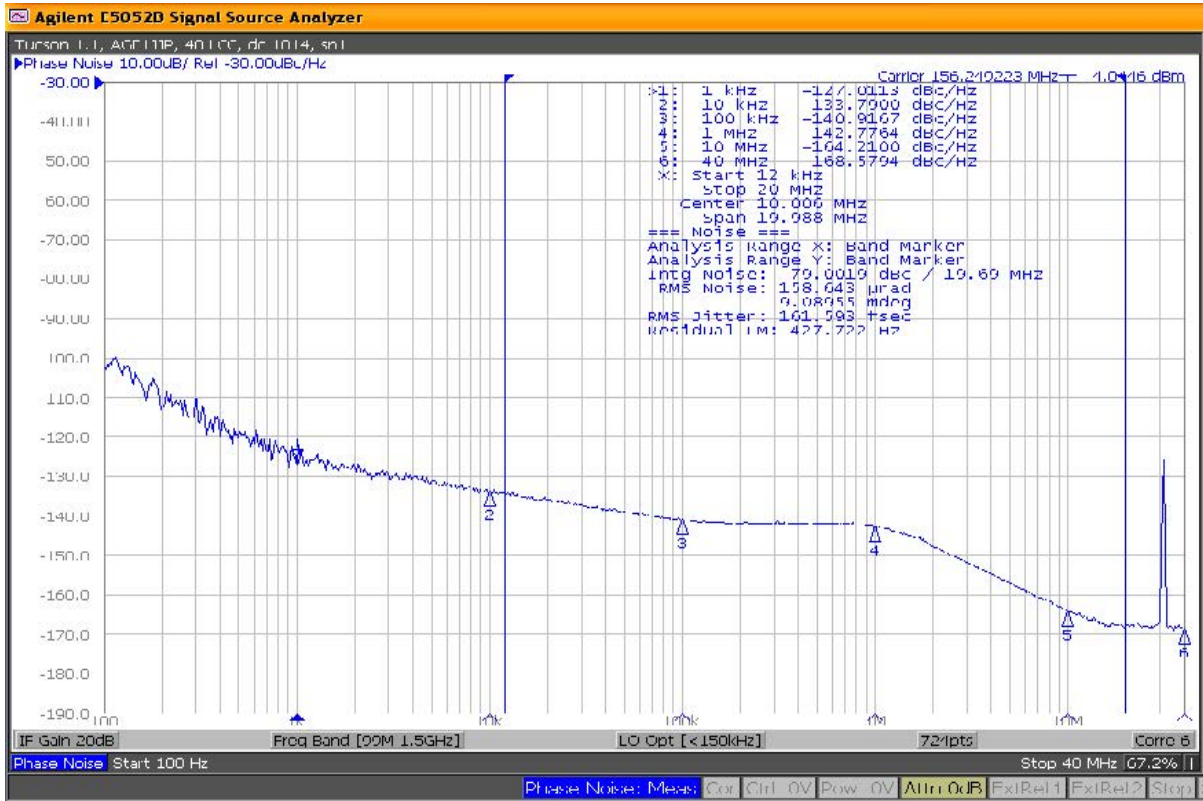


Figure 8. 156.25MHz HCSL Output, 12kHz-20MHz 162fs

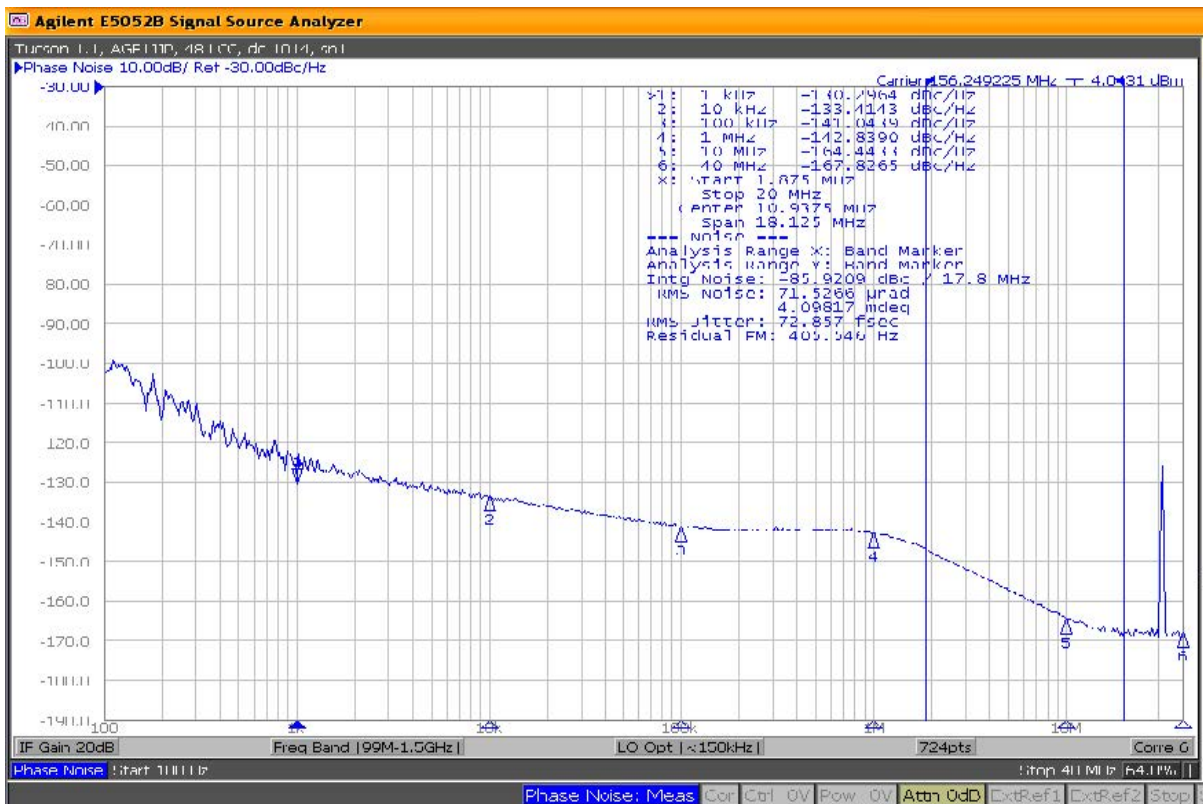


Figure 9. 156.25MHz HCSL Output, 1.875MHz-20MHz 73fs



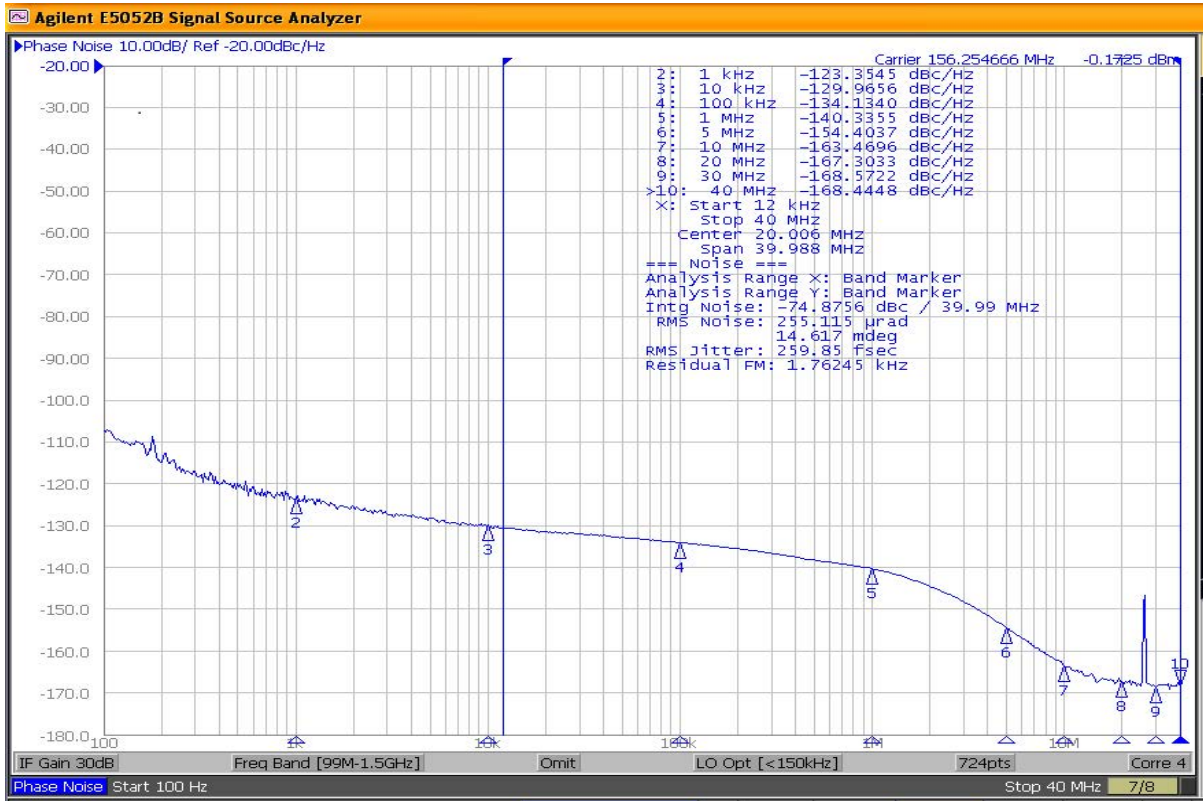


Figure 10. 156.25MHz HCSL Output, 12kHz-40MHz 260fs

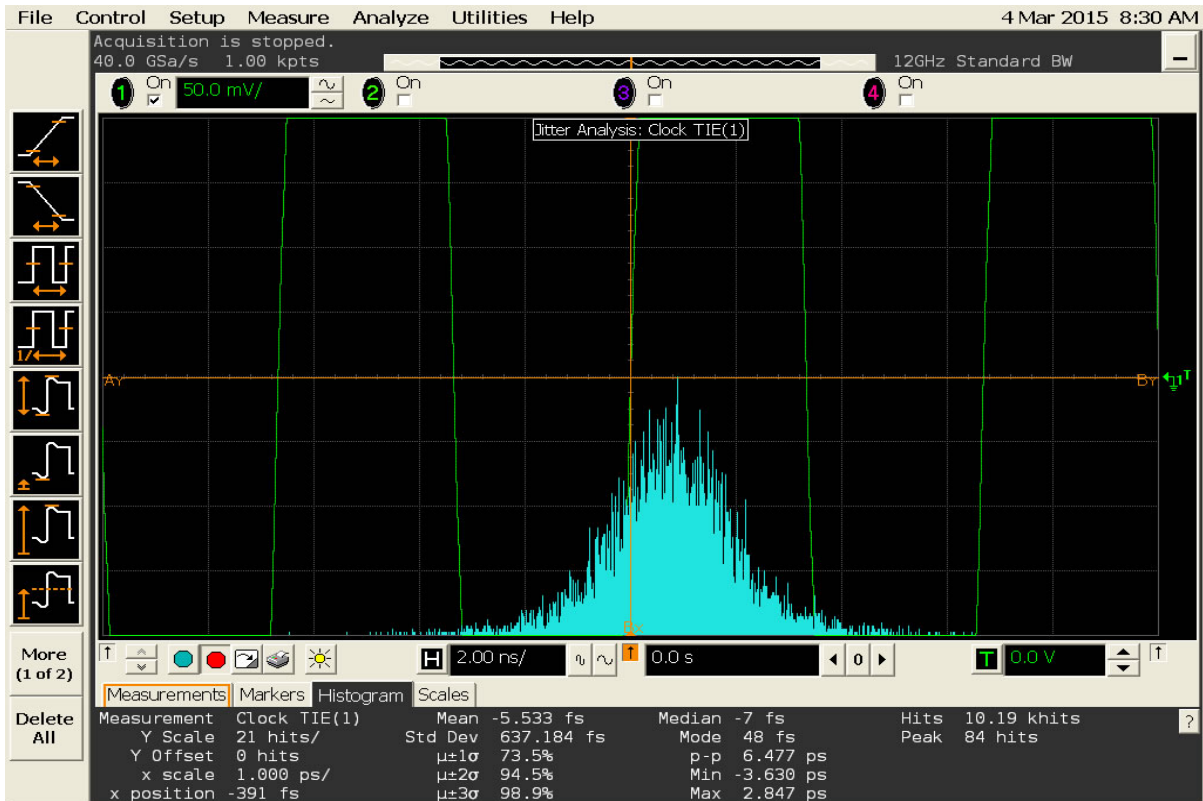


Figure 11. TIE Jitter (10K samples)

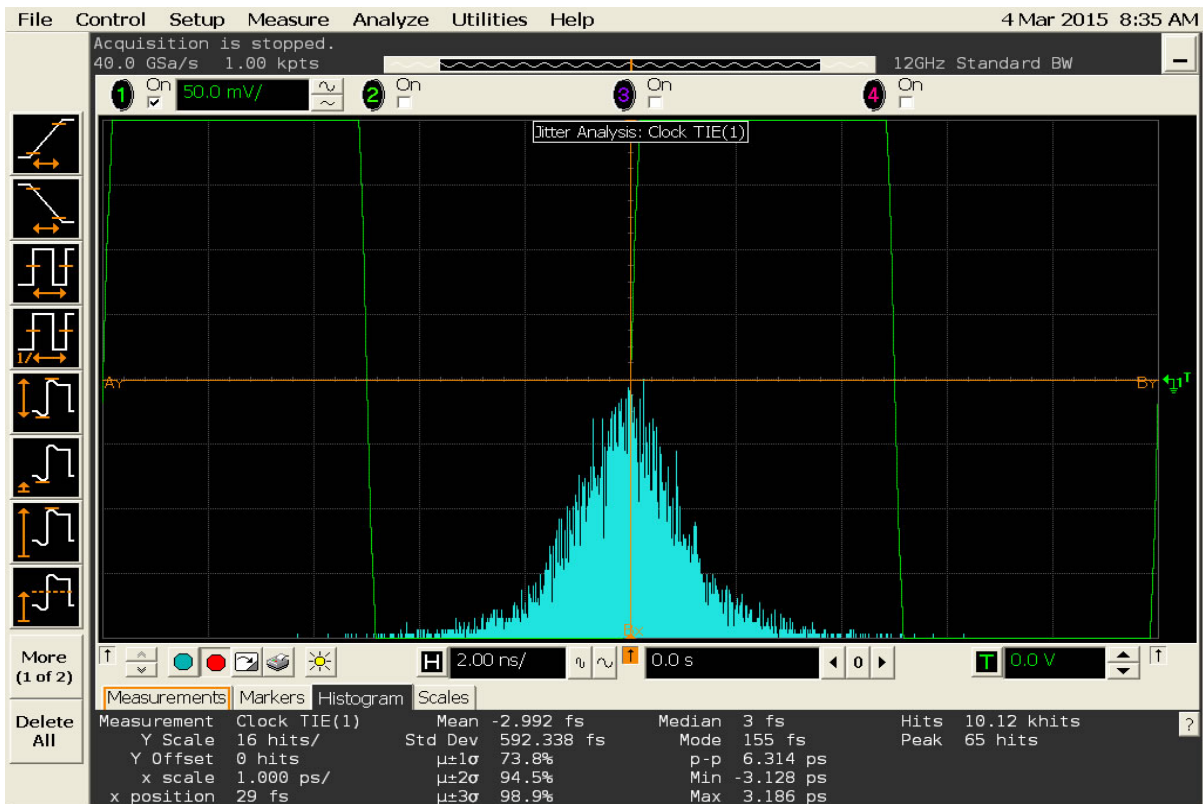
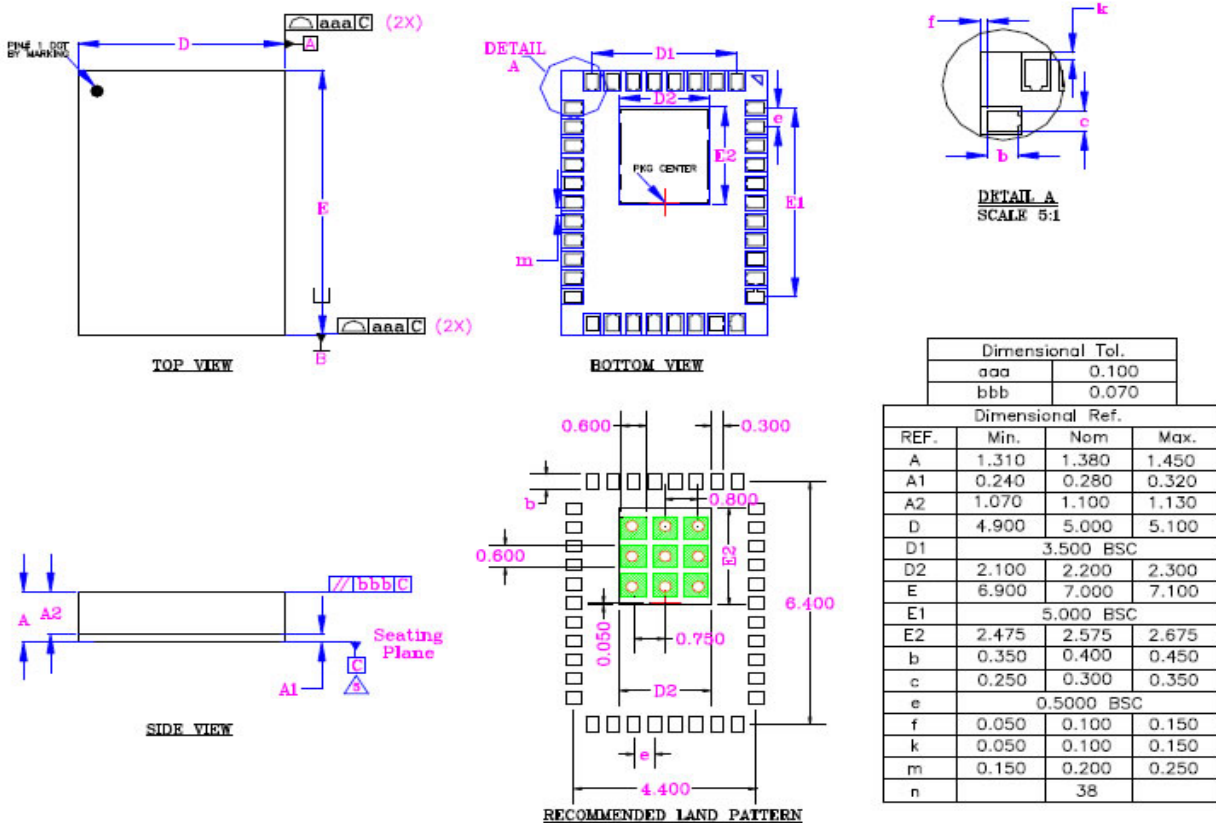


Figure 12. TIE Jitter (10K samples)

# Package Information and Recommended Land Pattern for 38-Pin LGA<sup>®</sup>



- Notes:
1. Dimensioning and Tolerancing per ASME Y14.5M-1994.
  2. Dimensions are in millimeters.
  3. 'e' represents the basic LGA pitch.
  4. 'n' is the maximum no. of Land for a specified Package.
  5. Package warp shall be 0.050 max.
  6. Substrate base is BT Resin.
  7. The Pin#1 corner must be identified on top side only.
  8. Reference JEDEC Spec M0-220.
  9. Red circles in land pattern indicate thermal via. Size should be 0.30mm in diameter. Pitch is 0.80mm and connected to GND for maximum thermal performance.
  10. Green rectangles (SHADED AREA) indicate solder stencil opening on exposed pad area. Size is 0.60x0.60mm. Pitch is 0.75mm.
  11. Land Pattern Tolerance is ±0.02mm.

### 38-Pin 5mm x 7mm LGA

**Note:**

6. Package information is correct as of the publication date. For updates and most current information, go to [www.micrel.com](http://www.micrel.com).

Micrel makes no representations or warranties with respect to the accuracy or completeness of the information furnished in this data sheet. This information is not intended as a warranty and Micrel does not assume responsibility for its use. Micrel reserves the right to change circuitry, specifications and descriptions at any time without notice. No license, whether express, implied, arising by estoppel or otherwise, to any intellectual property rights is granted by this document. Except as provided in Micrel's terms and conditions of sale for such products, Micrel assumes no liability whatsoever, and Micrel disclaims any express or implied warranty relating to the sale and/or use of Micrel products including liability or warranties relating to fitness for a particular purpose, merchantability, or infringement of any patent, copyright or other intellectual property right.

Micrel products are not designed or authorized for use as components in life support appliances, devices or systems where malfunction of a product can reasonably be expected to result in personal injury. Life support devices or systems are devices or systems that (a) are intended for surgical implant into the body or (b) support or sustain life, and whose failure to perform can be reasonably expected to result in a significant injury to the user. A Purchaser's use or sale of Micrel Products for use in life support appliances, devices or systems is a Purchaser's own risk and Purchaser agrees to fully indemnify Micrel for any damages resulting from such use or sale.

© 2015 Micrel, Incorporated.