

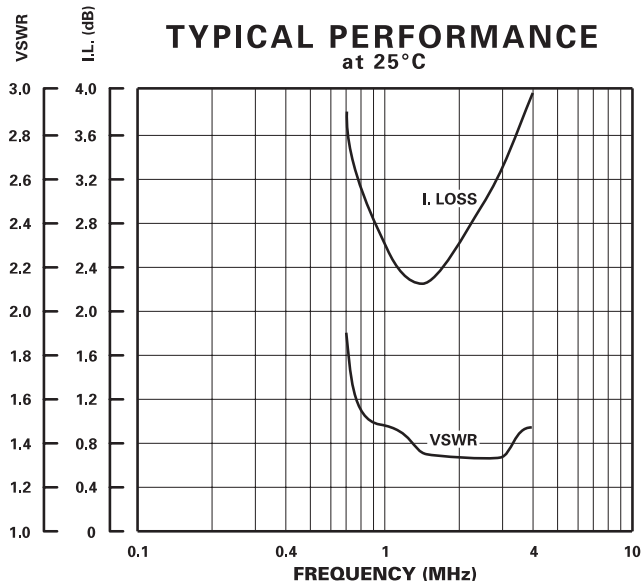
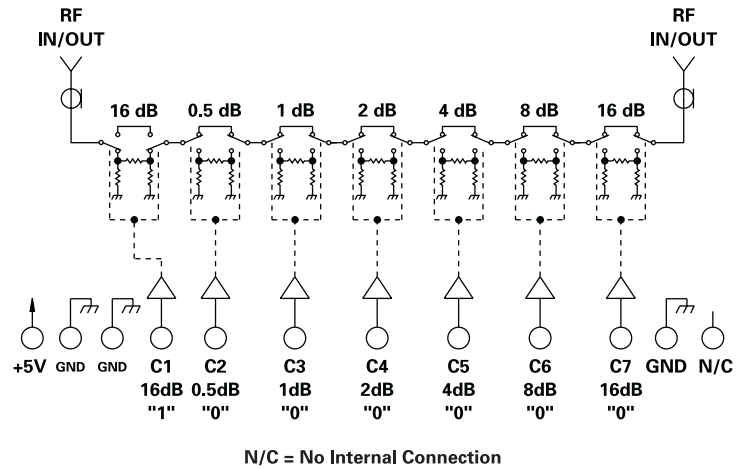
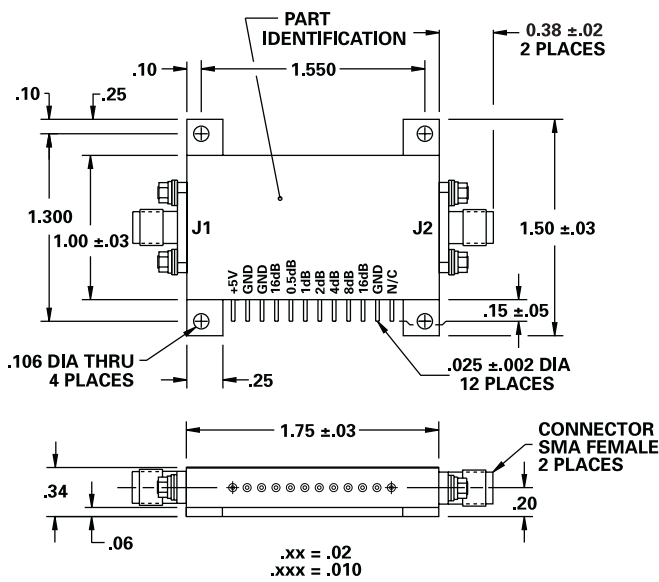
MODEL NUMBER DAT76191

PIN Diode 7 Section Attenuator

FEATURES

- 2200-2800 MHz
- 0.5 dB LSB, 47.5 dB Range
- 3.2 dB Insertion Loss
- TTL Control
- Replaceable SMA Connectors

7 BIT



GUARANTEED PERFORMANCE

Parameter	Min	Typ	Max	Units	Conditions
Operating Frequency	2200		2800	MHz	
DC Current		96	120	mA	At +5 VDC Supply
Control Type		TTL			7 Line Logic "0" = Thru Logic "1" = Attenuation
Control Current	High Low			μA	V _{IH} = +2.7 V V _{IL} = +0.5 V
Insertion Loss		3.6	4.0	dB	at 25° C Worst Case
Attenuation	LSB Range Accuracy Flatness	0	0.5 47.5 ±0.5 ±1.0 ±1.5 ±0.25 ±0.4 ±0.6	dB	0.5, 1, 2, 4, 8, 16, 16 1 to 15.5 dB Attenuation 16 to 31.5 dB Attenuation 32 to 47.5 dB Attenuation 0.5 to 15.0 dB 15.5 to 30.5 dB 31.0 to 47.5 dB
VSWR			1.6/1		
Impedance		50		OHMS	
Switching Speed		65	100	nSec	50% TTL to 90% / 10% RF
Transition (Rise/Fall) Time		40		nSec	90% / 10% or 10% / 90% RF
Switching (Video) Transients		450		mV	Peak Value
Intercept Points	3rd	+45		dBm	At Insertion Loss State
RF Power	Operate No Damage		+20 +25	dBm	0.1 dB Compression
Operating Temperature		0	+25 +75	°C	TA