

# TVS/ESD Arrays

RLSD32A Series

## TVS/ESD Arrays - RLSD32A Series

### Features

- 350 Watts peak pulse power ( $t_p = 8/20\mu s$ )
- Transient protection for data lines to  
IEC 61000-4-2 (ESD)  $\pm 15kV$  (air),  $\pm 8kV$  (contact)  
IEC 61000-4-4 (EFT) 40A (5/50ns)  
IEC 61000-4-5 (Lightning) 24A (8/20 $\mu s$ )
- Small package for use in portable electronics
- Suitable replacement for MLV's in ESD protection applications
- Protects one I/O or power line
- Low clamping voltage
- Low leakage current



### Mechanical Characteristics

- SOD-323 package
- Molding compound flammability rating: UL 94V-0
- Packaging: Tape and Reel per EIA 481
- Lead Finish: Matte tin
- RoHS Compliant

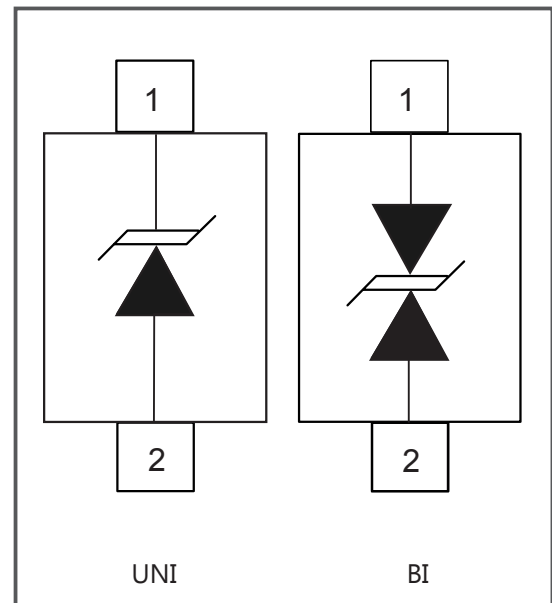
### Applications

- Cell Phone Handsets and Accessories
- Microprocessor based equipment
- Personal Digital Assistants (PDA's)
- Notebooks, Desktops, and Servers
- Portable Instrumentation
- Pagers Peripherals

### Life Support Note

- Not Intended for Use in Life Support or Life Saving Applications
- The products shown herein are not designed for use in life sustaining or life saving applications unless otherwise expressly indicated

### Pinout and Functional Block Diagram



## TVS/ESD Arrays - RLSD32A Series

### Absolute Maximum Rating

Rating	Symbol	Value	Units
Peak Pulse Power (tp = 8/20µs)	P <sub>pk</sub>	350	Watts
Maximum Peak Pulse Current (tp = 8/20µs)	I <sub>PP</sub>	24	Amps
ESD per IEC 61000-4-2 (Air)	V <sub>PP</sub>	+/-20	Kv
ESD per IEC 61000-4-2 (Contact)		+/-15	
Lead Soldering Temperature	T <sub>L</sub>	260 (10 sec.)	°C
Operating Temperature	T <sub>J</sub>	-55 to +125	°C
Storage Temperature	T <sub>STG</sub>	-55 to +150	°C
Storage Temperature	T <sub>STG</sub>	-55 to +150	°C

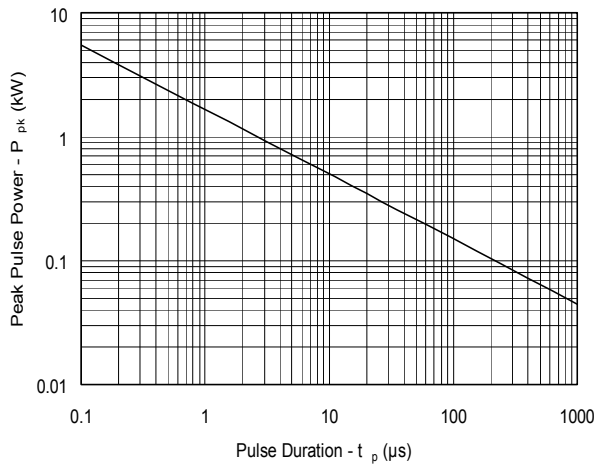
### Electrical Characteristics Per Lin (@ 25°C Unless Otherwise Specified)

Type Number		Peak Power Dissipation @8/20µS Pppm	Reverse Stand-Off Voltage	Peak Pulse Voltage @8/20µS Pppm	Peak Pulse Current @8/20µS Pppm	Reverse Leakage @Vrwm	Maximum Capacitance @1MHZ	
			Vrwm	Vc@IPP	IPP	IR@Vrwm	Co	
UNI	BI	W	V			V	A	µA
RLSD32A031V	RLSD32A031C	350	3.3	8.4	5	1	450	250
RLSD32A051V	RLSD32A051C	350	5	9.8	5	1	350	125
RLSD32A081V	RLSD32A081C	350	8	12	5	1	350	125
RLSD32A121V	RLSD32A121C	350	12	19	5	1	150	70
RLSD32A151V	RLSD32A151C	350	15	24	5	1	120	60
RLSD32A181V	RLSD32A181C	350	18	29	5	1	100	40
RLSD32A241V	RLSD32A241C	350	24	43	1	1	80	37
RLSD32A361V	RLSD32A361C	350	36	60	1	1	60	30

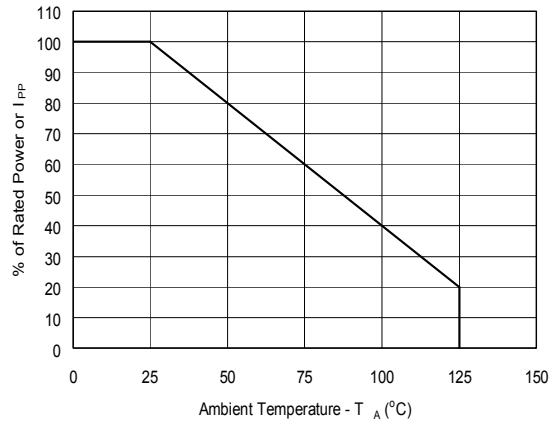
## TVS/ESD Arrays - RLSD32A Series

### Typical Characteristics

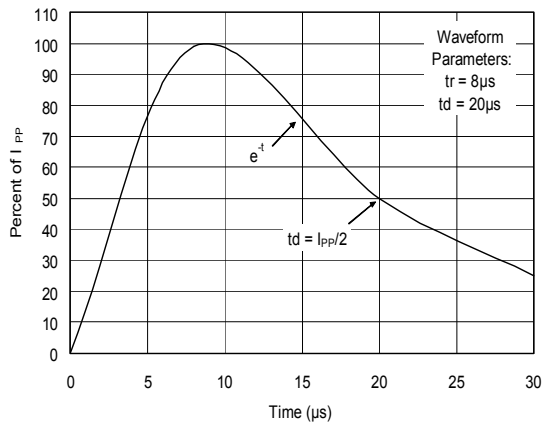
Non-Repetitive Peak Pulse Power vs. Pulse Time



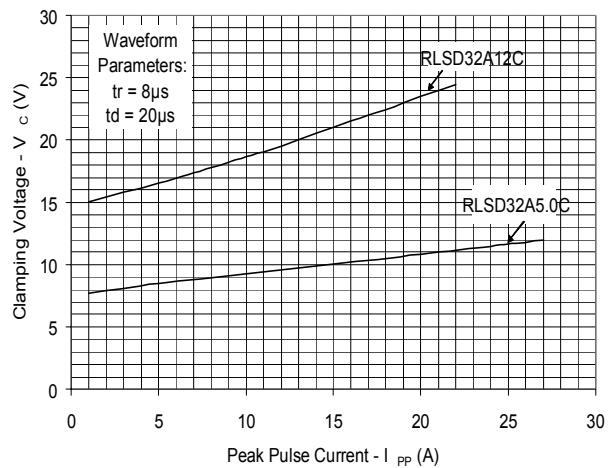
Power Derating Curve



Pulse Waveform

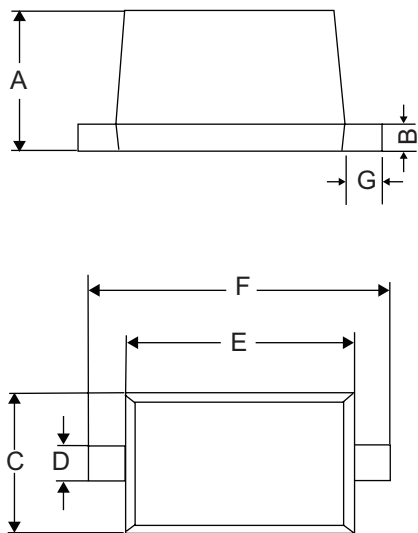


Clamping Voltage vs. Peak Pulse Current



## TVS/ESD Arrays - RLSD32A Series

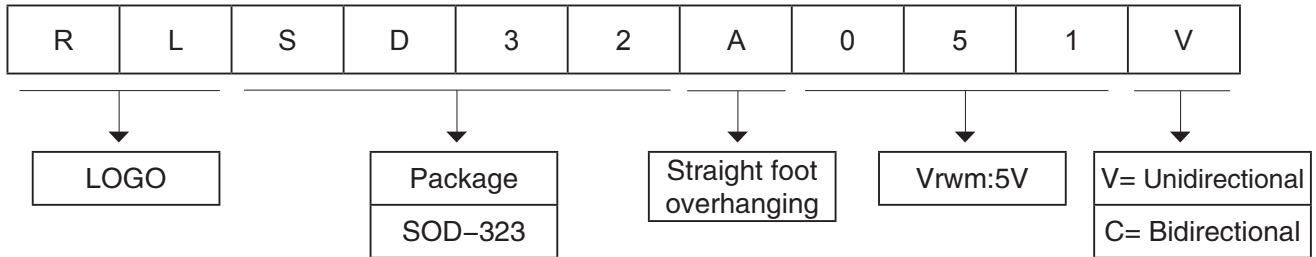
### Package dimension SOD-323



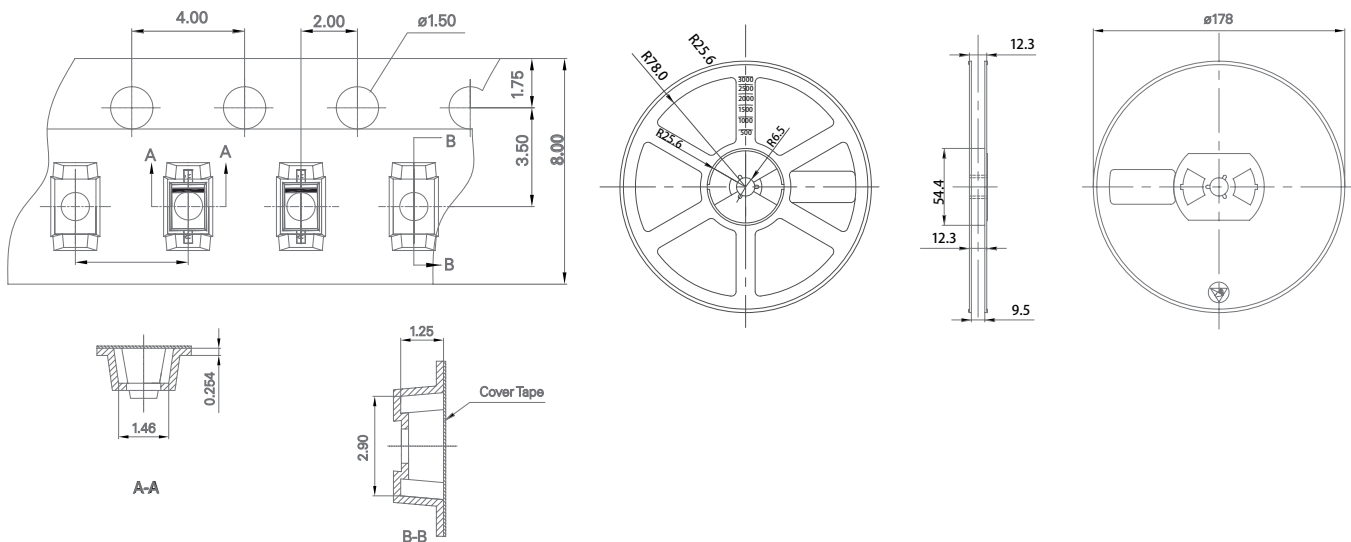
Dimensions				
Symbol	Inches		Millimeters	
	Min	Max	Min	Max
A	---	0.043	---	1.1
B	0.004	0.010	0.10	0.25
C	0.045	0.054	1.2	1.4
D	0.012	0.016	0.3	0.4
E	0.060	0.071	1.5	1.8
F	0.090	0.107	2.3	2.7
G	0.006	0.010	0.15	0.25

## TVS/ESD Arrays - RLSD32A Series

### Part Number Code



### Ordering Information



### Ordering Information

Part Number	Package	Min. Order Qty.
RLSD32A	SOD-323	3000pcs

### Warehouse Storage Conditions of Products

- Storage Conditions:
  1. Storage Temperature: -10°C~+40°C
  2. Relative Humidity: ≤75%RH
  3. Keep away from corrosive atmosphere and sunlight.
- Period of Storage: 1 year

## RuiLongYuan Electronics Co., Ltd.

---

- Reproducing and modifying information of the document is prohibited without permission from Ruilongyuan International Inc.
- Ruilongyuan International Inc. reserves the rights to make changes of the content herein the document anytime without notification. Please refer to our website for the latest document.
- Ruilongyuan International Inc. disclaims any and all liability arising out of the application or use of any product including damages incidentally and consequentially occurred.
- Ruilongyuan International Inc. does not assume any and all implied warranties, including warranties of fitness for particular purpose, non-infringement and merchantability.
- Applications shown on the herein document are examples of standard use and operation. Customers are responsible in comprehending the suitable use in particular applications. Ruilongyuan International Inc. makes no representation or warranty that such applications will be suitable for the specified use without further testing or modification.
- The products shown herein are not designed and authorized for equipments requiring high level of reliability or relating to human life and for any applications concerning life-saving or life-sustaining, such as medical instruments, transportation equipment, aerospace machinery et cetera. Customers using or selling these products for use in such applications do so at their own risk and agree to fully indemnify Ruilongyuan International Inc. for any damages resulting from such improper use or sale.

---

**Tel: +86-755-8290 8296**

**Fax: +86-755-8290 8002**

**E-mail: [jack@ruilon.com](mailto:jack@ruilon.com)**