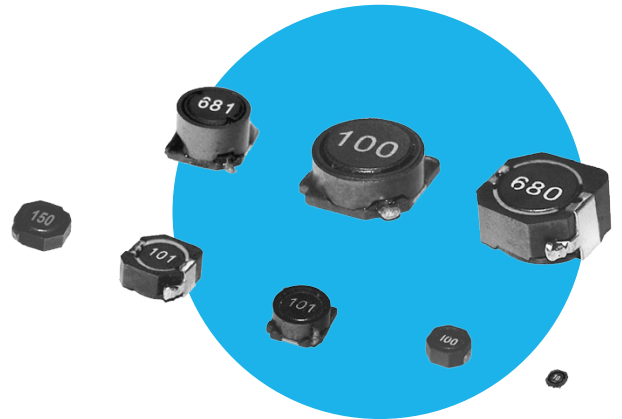


Shielded Surface Mount Power Inductors

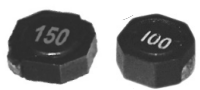
Model HM66A

Features and Benefits

- Operating Temperature Range -40°C to +85°C
- Operating Frequency Up to 3MHz
- RoHS Compliant



Specifications @ 25°C

A) Case Size 0420/0520/0530 

Part Number	Inductance ⁽¹⁾ (μH)	DCR Max (Ω)	Rated ⁽³⁾ Current (A)	Part Number	Inductance ⁽¹⁾ (μH)	DCR Max (Ω)	Rated ⁽³⁾ Current (A)
HM66A-04201R0NLF	1.0	0.058	1.50	HM66A-05204R7MLF	4.7	0.087	1.14
HM66A-04201R2NLF	1.2	0.070	1.40	HM66A-05206R8MLF	6.8	0.105	0.95
HM66A-04202R2NLF	2.2	0.082	1.00	HM66A-0520100MLF	10	0.150	0.76
HM66A-04203R3NLF	3.3	0.105	0.92	HM66A-0520150MLF	15	0.210	0.63
HM66A-04203R9NLF	3.9	0.120	0.80	HM66A-0520220MLF	22	0.275	0.56
HM66A-04204R7NLF	4.7	0.150	0.76	HM66A-0520270MLF	27	0.452	0.48
HM66A-04205R6NLF	5.6	0.180	0.69	HM66A-0520330MLF	33	0.455	0.44
HM66A-04206R8NLF	6.8	0.220	0.62	HM66A-0520470MLF	47	0.730	0.35
HM66A-04208R2NLF	8.2	0.240	0.56	HM66A-05301R2MLF	1.2	0.022	3.80
HM66A-0420100MLF	10	0.255	0.50	HM66A-05302R2MLF	2.2	0.029	2.41
HM66A-0420150MLF	15	0.390	0.40	HM66A-05303R3MLF	3.3	0.034	2.36
HM66A-0420220MLF	22	0.610	0.32	HM66A-05304R7MLF	4.7	0.045	1.87
HM66A-0420330MLF	33	0.920	0.28	HM66A-05306R8MLF	6.8	0.068	1.51
HM66A-0420470MLF	47	1.130	0.20	HM66A-0530100MLF	10	0.090	1.33
HM66A-0420680MLF	68	1.520	0.15	HM66A-0530150MLF	15	0.142	1.05
HM66A-0420101MLF	100	2.120	0.10	HM66A-0530220MLF	22	0.208	0.86
HM66A-05201R2MLF	1.2	0.044	2.15	HM66A-0530330MLF	33	0.257	0.72
HM66A-05202R0MLF	2.0	0.046	1.90	HM66A-0530470MLF	47	0.352	0.62
HM66A-05202R2MLF	2.2	0.059	1.63	HM66A-0530680MLF	68	0.525	0.51
HM66A-05203R3MLF	3.3	0.062	1.50	HM66A-0530101MLF	100	0.801	0.43
HM66A-05204R1MLF	4.1	0.081	1.20	HM66A-0530222MLF	2200	19.000	0.05

Outline Dimensions (mm)

Case Size	A (max)	Ht (Max)	X	Y	Z
0420	4.2	2.0	5.2	3.0	2.0
0520	5.3	2.0	6.0	3.9	2.0
0530	5.3	3.0	6.0	3.9	2.0

General Note

TT Electronics reserves the right to make changes in product specification without notice or liability. All information is subject to TT Electronics' own data and is considered accurate at time of going to print.

Model HM66A

Specifications @ 25°C

B) Case Size 0628/0728/0730/0732/0745/1045/1255/1265/1275



Part Number	Inductance ⁽²⁾ (μ H)	DCR Max (Ω)	Rated ^{(3), (5)} Current (A)	Part Number	Inductance ⁽²⁾ (μ H)	DCR Max (Ω)	Rated ⁽⁵⁾ Current (A)
HM66A-06284R7MLF	4.7	0.043	1.60	HM66A-0732471MLF	470	2.460	0.20
HM66A-06286R8MLF	6.8	0.062	1.50	HM66A-0732681MLF	680	3.780	0.16
HM66A-0628100MLF	10	0.082	1.30	HM66A-0732102MLF	1000	5.736	0.13
HM66A-0628150MLF	15	0.120	1.00	HM66A-07453R3MLF	3.3	0.024	2.50
HM66A-0628220MLF	22	0.144	0.77	HM66A-07454R7MLF	4.7	0.036	2.00
HM66A-0628330MLF	33	0.216	0.69	HM66A-07456R8MLF	6.8	0.047	1.70
HM66A-0628470MLF	47	0.324	0.59	HM66A-0745100MLF	10	0.043	1.30
HM66A-0628680MLF	68	0.468	0.50	HM66A-0745150MLF	15	0.062	1.10
HM66A-0628101MLF	100	0.744	0.42	HM66A-0745220MLF	22	0.073	0.90
HM66A-07283R3MLF	3.3	0.044	1.60	HM66A-0745330MLF	33	0.115	0.82
HM66A-07284R7MLF	4.7	0.054	1.50	HM66A-0745470MLF	47	0.150	0.75
HM66A-07286R8MLF	6.8	0.071	1.30	HM66A-0745680MLF	68	0.210	0.60
HM66A-0728100MLF	10	0.100	1.10	HM66A-0745101MLF	100	0.300	0.50
HM66A-0728150MLF	15	0.156	0.88	HM66A-0745151MLF	150	0.580	0.40
HM66A-0728220MLF	22	0.216	0.75	HM66A-0745221MLF	220	0.624	0.33
HM66A-0728330MLF	33	0.288	0.65	HM66A-0745331MLF	330	0.888	0.25
HM66A-0728470MLF	47	0.408	0.54	HM66A-0745471MLF	470	1.260	0.22
HM66A-07303R3MLF	3.3	0.028	1.80	HM66A-0745681MLF	680	1.776	0.20
HM66A-07304R7MLF	4.7	0.043	1.60	HM66A-0745102MLF	1000	2.736	0.14
HM66A-07306R8MLF	6.8	0.049	1.50	HM66A-1045100MLF	10	0.043	3.00
HM66A-0730100MLF	10	0.064	1.30	HM66A-1045150MLF	15	0.056	2.40
HM66A-0730150MLF	15	0.101	1.00	HM66A-1045220MLF	22	0.071	2.10
HM66A-0730220MLF	22	0.132	0.86	HM66A-1045330MLF	33	0.098	1.60
HM66A-0730330MLF	33	0.192	0.65	HM66A-1045470MLF	47	0.120	1.40
HM66A-0730470MLF	47	0.288	0.57	HM66A-1045680MLF	68	0.168	1.20
HM66A-0730680MLF	68	0.372	0.49	HM66A-1045101MLF	100	0.240	1.00
HM66A-0730101MLF	100	0.540	0.35	HM66A-1045151MLF	150	0.420	0.79
HM66A-07323R3MLF	3.3	0.028	1.90	HM66A-1045221MLF	220	0.564	0.65
HM66A-07324R7MLF	4.7	0.043	1.70	HM66A-1045331MLF	330	0.816	0.54
HM66A-07326R8MLF	6.8	0.049	1.60	HM66A-1045471MLF	470	1.236	0.47
HM66A-0732100MLF	10	0.064	1.40	HM66A-1045681MLF	680	1.920	0.38
HM66A-0732150MLF	15	0.090	1.10	HM66A-1045102MLF	1000	3.360	0.32
HM66A-0732220MLF	22	0.132	0.96	HM66A-1045152MLF	1500	4.080	0.22
HM66A-0732330MLF	33	0.192	0.75	HM66A-12556R0NLF	6	0.020	3.60
HM66A-0732470MLF	47	0.288	0.67	HM66A-1255100MLF	10	0.026	3.40
HM66A-0732680MLF	68	0.372	0.59	HM66A-1255150MLF	15	0.031	2.80
HM66A-0732101MLF	100	0.540	0.45	HM66A-1255220MLF	22	0.041	2.30
HM66A-0732151MLF	150	0.780	0.37	HM66A-1255330MLF	33	0.050	1.90
HM66A-0732221MLF	220	1.260	0.29	HM66A-1255470MLF	47	0.074	1.60
HM66A-0732331MLF	330	2.004	0.22	HM66A-1255680MLF	68	0.100	1.30

General Note

TT Electronics reserves the right to make changes in product specification without notice or liability.
All information is subject to TT Electronics' own data and is considered accurate at time of going to print.

Model HM66A

Specifications @ 25°C (Continued)

C) Case Size 0628/0728/0730/0732/0745/1045/1255/1265/1275

Part Number	Inductance ⁽²⁾ (μH)	DCR Max (Ω)	Rated ⁽⁵⁾ Current (A)	Part Number	Inductance ⁽²⁾ (μH)	DCR Max (Ω)	Rated ⁽⁵⁾ Current (A)
HM66A-1255101MLF	100	0.140	1.10	HM66A-1265101MLF	100	0.148	1.60
HM66A-1255151MLF	150	0.228	0.88	HM66A-1265151MLF	150	0.328	1.00
HM66A-1255221MLF	220	0.324	0.72	HM66A-12751R2NLF	1.2	0.008	13.0
HM66A-1255331MLF	330	0.492	0.59	HM66A-12752R7NLF	2.7	0.011	10.0
HM66A-1255471MLF	470	0.624	0.49	HM66A-12753R9NLF	3.9	0.012	9.00
HM66A-1255681MLF	680	0.912	0.43	HM66A-12755R6NLF	5.6	0.014	7.80
HM66A-1255102MLF	1000	1.344	0.34	HM66A-12756R8NLF	6.8	0.016	7.20
HM66A-1255152MLF	1500	2.076	0.29	HM66A-1275100MLF	10	0.019	5.50
HM66A-12652R0NLF	2.0	0.014	10.0	HM66A-1275150MLF	15	0.022	4.70
HM66A-12654R2NLF	4.2	0.018	7.30	HM66A-1275220MLF	22	0.032	4.00
HM66A-12657R0MLF	7.0	0.021	5.70	HM66A-1275330MLF	33	0.047	3.20
HM66A-1265100MLF	10	0.024	5.00	HM66A-1275470MLF	47	0.063	2.70
HM66A-1265150MLF	15	0.028	4.20	HM66A-1275680MLF	68	0.093	2.00
HM66A-1265220MLF	22	0.038	3.50	HM66A-1275101MLF	100	0.150	1.90
HM66A-1265330MLF	33	0.049	2.80	HM66A-1275151MLF	150	0.210	1.50
HM66A-1265470MLF	47	0.069	2.40	HM66A-1275221MLF	220	0.310	1.30
HM66A-1265680MLF	68	0.094	2.00				

Outline Dimensions (mm)


Case Size	A	Ht	B	C	D	E	F
0628	6 ± 0.2	2.8 ± 0.3	4.0	2.0	2.2	1.5	4.0
0728	7 ± 0.2	2.8 ± 0.2	4.0	2.0	2.2	1.5	4.0
0730	7 ± 0.2	3 ± 0.2	4.0	2.0	2.2	1.5	4.0
0732	7 ± 0.2	3.2 ± 0.2	4.0	2.0	2.2	1.5	4.0
0745	7 ± 0.2	4.5 ± 0.3	4.0	2.0	2.2	1.5	4.0
1045	10.1 ± 0.3	4.5 ± 0.3	6.0	3.0	3.2	2.5	5.6
1255	12.5 ± 0.3	5.5 ± 0.4	8.6	3.0	3.2	2.5	8.6
1265	12.5 ± 0.3	6.5 ± 0.4	8.6	3.0	3.2	2.5	8.6
1275	12.5 ± 0.3	7.5 ± 0.4	8.2	2.5	3.2	2.5	8.2

General Note

TT Electronics reserves the right to make changes in product specification without notice or liability. All information is subject to TT Electronics' own data and is considered accurate at time of going to print.

Model HM66A

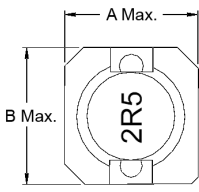
Specifications @ 25°C (Continued)

D) Case Size 1030/1050 

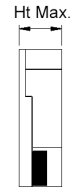
Part Number	Inductance ⁽¹⁾ (μH)	DCR Max (Ω)	Rated ^{(4),(6)} Current (A)	Part Number	Inductance ⁽¹⁾ (μH)	DCR Max (Ω)	Rated ⁽⁶⁾ Current (A)
HM66A-1030100NLF	10	58.1	2.70	HM66A-1050270NLF	27	65.4	2.24
HM66A-1030120NLF	12	72.1	2.25	HM66A-1050330NLF	33	81.4	1.88
HM66A-1030150NLF	15	86.5	2.22	HM66A-1050390NLF	39	103.1	1.70
HM66A-1030180NLF	18	116.1	1.90	HM66A-1050470NLF	47	122.1	1.56
HM66A-1030220NLF	22	145.4	1.78	HM66A-1050560NLF	56	144.8	1.39
HM66A-1030270NLF	27	175.9	1.63	HM66A-1050680NLF	68	193.0	1.36
HM66A-1030330NLF	33	213.4	1.46	HM66A-1050820NLF	82	219.4	1.20
HM66A-1030390NLF	39	268.9	1.32	HM66A-1050101NLF	100	247.0	1.09
HM66A-1030470NLF	47	298.6	1.18	HM66A-1050121NLF	120	298.4	1.00
HM66A-1030560NLF	56	335.8	1.10	HM66A-1050151NLF	150	355.1	0.91
HM66A-1030680NLF	68	451.3	1.04	HM66A-1050181NLF	180	393.4	0.84
HM66A-1030820NLF	82	513.8	0.94	HM66A-1050221NLF	220	483.8	0.75
HM66A-1030101NLF	100	700.0	0.84	HM66A-1050271NLF	270	632.5	0.68
HM66A-1030121NLF	120	765.0	0.76	HM66A-1050331NLF	330	780.0	0.60
HM66A-1030151NLF	150	876.3	0.70	HM66A-1050391NLF	390	957.5	0.57
HM66A-10501R5NLF	1.5	5.8	8.30	HM66A-1050471NLF	470	1220.4	0.50
HM66A-1050100NLF	10	25.8	3.45	HM66A-1050561NLF	560	1352.4	0.47
HM66A-1050120NLF	12	32.0	3.40	HM66A-1050681NLF	680	1519.2	0.43
HM66A-1050150NLF	15	40.0	2.83	HM66A-1050821NLF	820	1694.4	0.39
HM66A-1050180NLF	18	46.0	2.62	HM66A-1050102NLF	1000	1946.4	0.35
HM66A-1050220NLF	22	58.5	2.44				

Outline Dimensions (mm)

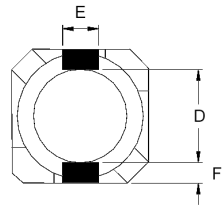
Top View



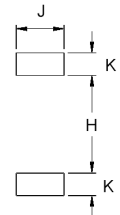
Side View



Bottom View



Recommended PCB Layout



Case Size	A	B	Ht	D	E	F	H	J	K
1030	10.3	10.5	3.0	7.7	3.0	1.2	7.3	3.6	1.7
1050	10.3	10.5	5.0	7.7	3.0	1.2	7.3	3.6	1.7

General Note

TT Electronics reserves the right to make changes in product specification without notice or liability. All information is subject to TT Electronics' own data and is considered accurate at time of going to print.

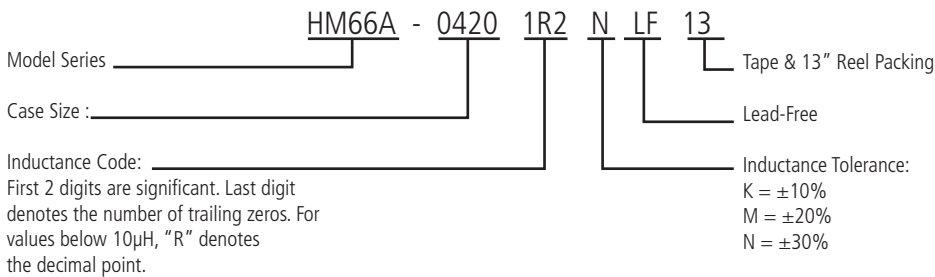
Model HM66A

- Notes: (1) Inductance for case size 0420, 0520, 0530, 1030 & 1050 is measured at 100 kHz, 0.1 Vac without DC current.
 (2) Inductance for case size 0628, 0728, 0730, 0732, 0745, 1045, 1255, 1265 & 1275 is measured at 1 kHz, 0.5 Vac without DC current.
 (3) The rated current for case size 0312, 0315, 0318, 0420, 0520, 0530 & 0628 is the approximate DC current at which the inductance will be decreased by 30% from its initial (zero DC) value.
 (4) The rated current for case size 0630 is the approximate DC current at which the inductance will be decreased by 35% from its initial (zero DC) value.
 (5) The rated current for case size 0728, 0730, 0732, 0745, 1045, 1255, 1265 & 1275 is the approximate DC current at which the inductance will be decreased by 30% from its initial (zero DC) value.
 (6) The rated current for case size 1030 & 1050 is the approximate DC current at which the inductance will be decreased by 25% from its initial (zero DC) value.

Packaging

Tape & Reel	
Standard	Reel: Diameter: = 13" (330.2mm)
	Capacity: Case size 0745, 1045, 1050, 1255, 1265, 1275 = 500 Units
	Case size 0420, 0728, 0730, 0732, 1030 = 1000 Units
	Case size 0628 = 2000 Units
	Case size 0530 = 2500 Units
	Case size 0520 = 3000 Units

Ordering Information



General Note

TT Electronics reserves the right to make changes in product specification without notice or liability. All information is subject to TT Electronics' own data and is considered accurate at time of going to print.