

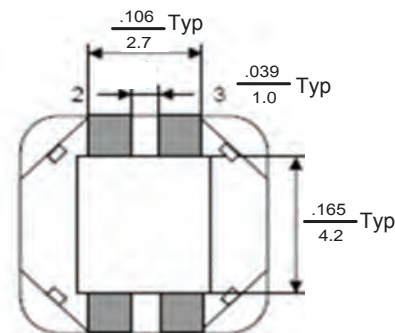
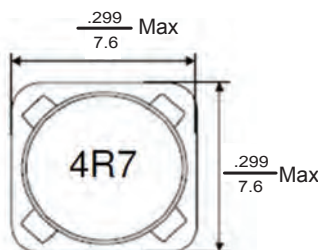


Power Chip Shielded Inductors

PCSDW74B2-4R7M-RC



Dimensions: $\frac{\text{Inches}}{\text{(mm)}}$



| Allied Part Number | L1, L2 (μh) | Test Freq. KHZ, 0.25V | RDC (L1, L2) (Ω) Max | SPF (MHZ) Typ | Isat (A) | Irms (A) Max |
|--------------------|-------------|-----------------------|----------------------|---------------|----------|--------------|
| PCSDW74B2-4R7M-RC | 4.7±20% | 1 | .064 | 42 | 2.8 | 1.55 |

All specifications are subject to change without notice.

Features

- Magnetically Shielded
- Low DC Resistance
- High Energy Storage
- Low Energy Loss
- Suitable for pick and place

Electrical

Inductance Range: 4.7μh, additional values pending

Tolerance: 20% over entire range, also available in 10%

Test Frequency: 1KHz, 0.25V

Operating Temp: -40°C ~ +105°C

Isat: Drop by 10% Typical

Irms: Current at which the temp will rise by no more than 40°C

Resistance to Soldering Heat

Pre-Heat 150°C, 1 Min.

Solder Composition: SN/Ag3.0/Cu0.5

Solder Temp: 260°C ± 5°C

Immersion time: 10 sec. ± 1 sec.

Test Equipment

(L): HP4284A

(RDC): Chen Hwa 502

(IDC): Chen Hwa 1061 + Chen Hwa 301A or HP4284A + HP42841A

Physical

Packaging: 1000 pieces per 13 inch reel.

Marking: EIA Inductance Code