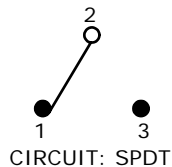


ISOMETRIC

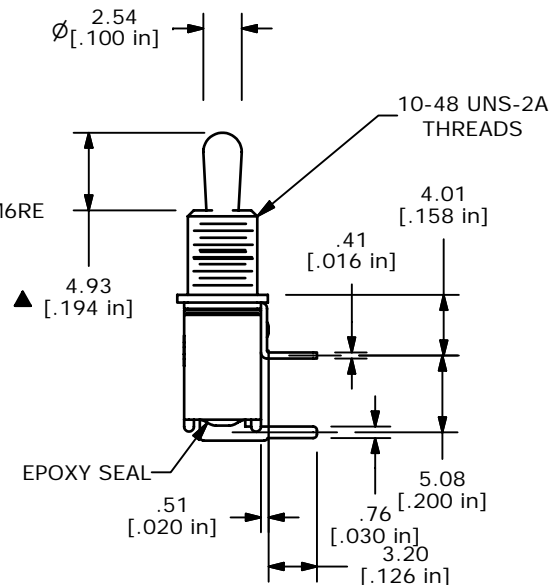
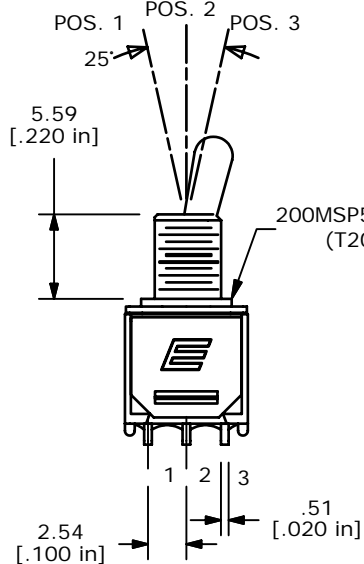
| SWITCH FUNCTION | | |
|-----------------|--------|--------|
| POS. 1 | POS. 2 | POS. 3 |
| | | |
| ON | OFF | (ON) |
| 2-3 | OPEN | 2-1 |

(ON)=MOMENTARY



NOTE:

- ALL DIMENSIONS IN MM [INCH]
- GENERAL TOLERANCE: X.X=±0.4
X.XX=±0.25
- TERMINAL NUMBERS FOR REF ONLY
- ▲ PLATING MATERIAL: GOLD
- RATING: 0.4VA MAX. @20V MAX (AC OR DC)
- ELECTRIC LIFE: 30,000 MAKE-AND-BREAK CYCLES AT FULL LOAD.
- INSULATION RESISTANCE: 1,000 MΩ MIN.
- DIELECTRIC STRENGTH: 1,000 V RMS @SEA LEVEL.
- OPERATING TEMP.: -30°C to 85°C
- ▲ 10. HARDWARE TO BE SHIPPED BULK
 T200001 - HEXNUT - QTY 2
 T200000 - LOCKWASHER - QTY 1
 T200002 - LOCKRING - QTY 1
- ▲ DENOTES CRITICAL PARAMETER.
- 2002/95/EC (ROHS) COMPLIANT



| | | | | |
|-----|--------|--------------------------------|----------|----|
| B | 15613 | CHANGED HEX NUT, ADD ROHS NOTE | 12/16/05 | PH |
| A | 15017 | RELEASED FOR PRODUCTION | 6/30/05 | JB |
| REV | PCR NO | DESCRIPTION | DATE | BY |

| | | | | |
|------------------------|----------------|-------|--------------|-------|
| TITLE 200MSP5T2B1M6REH | | | | |
| SCALE 2:1 | DATE 6/30/2005 | DR JB | DWG ST205002 | REV B |

THE INFORMATION CONTAINED IN THIS DOCUMENT IS PROPRIETARY TO E-SWITCH AND IS NOT TO BE COPIED OR TRANSFERRED