

5V MOSFET Driver with Output Disable for Single Phase Synchronous-Rectified Buck Converter

General Description

The uP1965S is 5V MOSFET driver optimized for driving two N-channel MOSFETs in a synchronous rectified buck converter for mobile computing application. This part has integrated bootstrap diode to eliminate external component count. The resistor commonly placed between MOSFET gate and source for discharge is also integrated, making external component minimal. This device combined with uPI multi-phase buck PWM controller forms a complete core voltage regulator for advanced microprocessors.

The uP1965S supports enable/disable function that reduces the power consumption to prolong battery life. Both gate drives are turned off by pulling low EN pin or high-impedance at PWM pin, preventing rapid output capacitor discharge during system shutdown. This device also supports three PWM input states that along with PWM controller to provide a complete power solution.

The uP1965S implements anti-shoot-through protection that prevents cross-conduction of the external MOSFET while maintains minimum deadtime for optimized efficiency. This device also supports supply input under voltage lockout. The uP1965S is available in thermally enhanced WDFN2x2-8L package.

Ordering Information

Order Number	Package	Top Marking
uP1965SDN8	WDFN2x2 - 8L	HF

Note:

- (1) Please check the sample/production availability with uPI representatives.
- (2) uPI products are compatible with the current IPC/JEDEC J-STD-020 requirements. They are halogen-free, RoHS compliant and 100% matte tin (Sn) plating that are suitable for use in SnPb or Pb-free soldering processes.

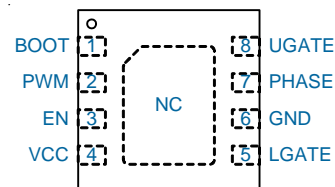
Features

- ❑ Single 5V Driving Voltage Output
- ❑ Integrated Bootstrap Diode
- ❑ Integrated Gate-to-Source Discharge Resistors
- ❑ Enable/Disable Control
- ❑ Allow PWM Pin as Multi-Function Setting Application
- ❑ Three PWM Input States: High, Low and Tri-State
- ❑ Tri-State Input for Bridge Shutdown
- ❑ Anti-Shoot-Through Protection Circuitry
- ❑ Under Voltage Lockout for Supply Input
- ❑ WDFN2x2-8L Package
- ❑ RoHS Compliant and Halogen Free

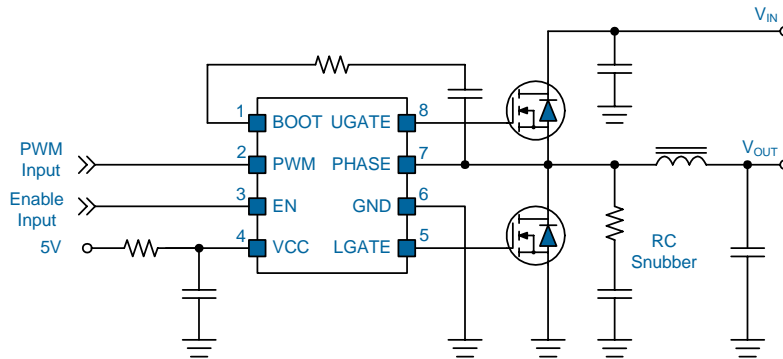
Applications

- ❑ Desktop/Laptop CPU/GPU Core Voltage Regulators
- ❑ High Frequency Low Profile DC/DC Converter
- ❑ High Current Low Voltage DC/DC Converter

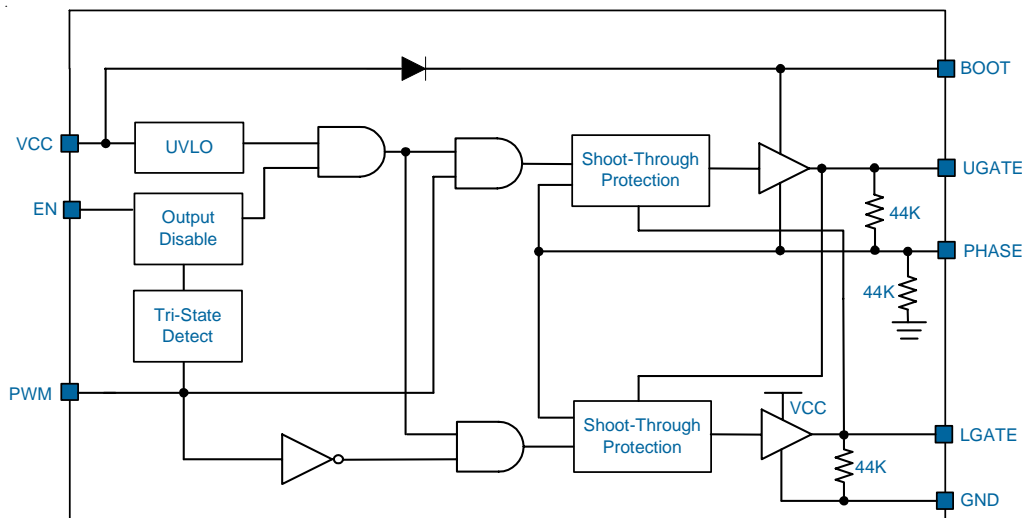
Pin Configuration



Typical Application Circuit



Functional Block Diagram



Functional Pin Description

Pin No.	Pin Name	Pin Function
1	BOOT	Bootstrap Supply. For the floating upper gate driver. Connect the bootstrap capacitor C_{BOOT} between BOOT pin and the PHASE pin to form a bootstrap circuit. The bootstrap capacitor provides the charge to turn on the upper MOSFET. Make sure that C_{BOOT} is placed near the IC.
2	PWM	PWM Input. This pin receives logic level input and controls the driver outputs. The PWM pin is in high input impedance state if EN input is low. When EN input is high, the PWM pin voltage will be pulled to tri-state by internal circuit. The resistor connected from PWM pin to GND for PWM controller function setting must be greater than 15k Ω .
3	EN	Enable Control. This pin disables normal operation and forces both UGATE and LGATE off when it is pulled low. This pin also controls the state of PWM pin. When the EN pin is pulled low, the PWM pin is in high-input impedance state. There is no internal pull-up or pull-low mechanism to this pin.
4	VCC	Supply Voltage for the IC. This pin provides bias voltage for the IC. Connect this pin to 5V voltage source and bypass it with an R/C filter.
5	LGATE	Lower Gate Driver Output. Connect this pin to the gate of lower MOSFET. This pin is monitored by the shoot-through protection circuitry to determine when the lower MOSFET has been turned off.
6	GND	Ground for the IC. All voltage levels are measured with respect to this pin.
7	PHASE	PHASE Switch Node. Connect this pin to the source of the upper MOSFET and the drain of the lower MOSFET. This pin is used as the return path for the UGATE driver. This pin is also monitored by the shoot-through protection circuitry to determine when the upper MOSFET has been turned off.
8	UGATE	Upper Gate Driver Output. Connect this pin to the gate of upper MOSFET. This pin is monitored by the shoot-through protection circuitry to determine when the upper MOSFET has been turned off.
Exposed Pad	NC	Not Internally Connected. Although the exposed pad of uP1965S is not electrically connected to GND. It is still highly recommended to connect the exposed pad to GND plane for maximum heat dissipation.

Enable Control

The EN pin controls PWM pin state and the MOSFET gate driver output state. Logic input low to EN pin disables the gate drivers. Both UGATE and LGATE will be kept low, and PWM pin will be in high input impedance state. Logic input high to EN pin enables the gate drivers after a delay time $T_{PDH DEN}$ as shown in Figure 1. During this time period the PWM pin stays at high input impedance state, both UGATE and LGATE outputs are kept low, and the internal control circuit does not respond to the PWM input voltage. After $T_{PDH DEN}$ expires, both UGATE and LGATE begin to respond to the PWM input. This mechanism is specifically designed for uPI’s PWM controller, which uses its PWM pin as a multi-functional pin.

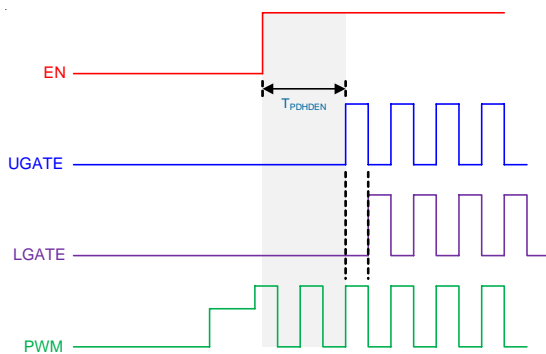


Figure 1. Enable Control, EN

PWM Input

The PWM pin is a tri-state input. Logic high turns on the high-side gate driver and turns off the low-side gate driver once the POR of VCC is granted and EN is kept high. Logic low turns off the high-side gate driver and turns on the low-side gate driver. High impedance input at PWM pin will keep both high-side and low-side gate drivers low and turns off both MOSFETs. The PWM pin voltage is kept around 1.6V by internal bias circuit when floating.

Refer to Figure 1, during $T_{PDH DEN}$, both UGATE and LGATE are kept low, the PWM pin is in high-input impedance state, and the PWM input will be ignored. For the PWM controller uses its PWM pin as a multi-functional pin, a resistor will be connected from PWM pin to GND to set parameter. Note that this resistor must be greater than 15kΩ. Lower resistor value will cause incorrect PWM voltage level at the PWM pin when the PWM controller output is in tri-state (high-impedance state).

Low-Side Driver

The low-side driver is designed to drive a ground referenced N-channel MOSFET. The bias to the low-side driver is internally connected to VCC supply and GND. The low-side driver output is out of phase with the PWM input when it is enabled. The low side driver is held low if the EN pin is pulled low or high-impedance at PWM pin.

High-Side Driver

The high-side driver is designed to drive a floating N-channel MOSFET. The bias voltage to the high-side driver is internally connected to BOOT and PHASE pins. An integrated bootstrap switch that is connected between BOOT and VCC pins provides the bias current for the high side gate driver.

The bootstrap capacitor C_{BOOT} is charged to V_{CC} when PHASE pin is grounded by turning on the low-side MOSFET. The PHASE rises to V_{IN} when the high-side MOSFET is turned on, forcing the BOOT pin voltage to $V_{IN} + V_{CC}$ that provides voltage to hold the high-side MOSFET on.

The high-side gate driver output is in phase with the PWM input when it is enabled. The high-side driver is held low if the EN pin is pulled low or high-impedance at PWM pin.

Shoot Through Protection

The shoot-through circuit prevents the high-side and low-side MOSFETs from being turned on simultaneously and conducting destructive large current. It is done by turning on one MOSFET only after the other MOSFET is off already with adequate delay time.

At the high-side off edge, UGATE and PHASE voltages are monitored for anti-shoot-through protection. The low-side driver will not begin to output high until both $(V_{UGATE} - V_{PHASE})$ and V_{PHASE} are lower than 1.2V, making sure the high-side MOSFET is turned off completely.

At the low-side off edge, LGATE voltage is monitored for anti-shoot-through protection. The high-side driver will not begin to output high until V_{LGATE} is lower than 1.2V, making sure the low-side MOSFET is turned off completely.

Absolute Maximum Rating

(Note 1)

Supply Input Voltage, V _{CC}	-0.3V to +6V
BOOT to PHASE	-0.3V to +6V
PHASE to GND	
DC	-0.7V to +30V
< 200ns	-8V to +36V
BOOT to GND	
DC	-0.3V to (V _{CC} +36V)
< 200ns	-0.3V to +42V
UGATE to PHASE	
DC	-0.3V to (BOOT - PHASE +0.3V)
< 200ns	-5V to (BOOT - PHASE +0.3V)
LGATE to GND	
DC	-0.3V to (V _{CC} +0.3V)
< 200ns	-5V to (V _{CC} +0.3V)
PWM	-0.3V to +6V
EN	-0.3V to (V _{CC} +0.3V)
Storage Temperature Range	-65°C to +150°C
Junction Temperature	150°C
Lead Temperature (Soldering, 10 sec)	260°C
ESD Rating (Note 2)	
HBM (Human Body Mode)	2kV
CDM (Charged Device Mode)	500V

Thermal Information

Package Thermal Resistance (Note 3)

WDFN2x2 - 8L θ_{JA}	155°C/W
WDFN2x2 - 8L θ_{JC}	20°C/W
Power Dissipation, P _D @ T _A = 25°C	
WDFN2x2 - 8L	0.65W

Recommended Operation Conditions

(Note 4)

Operating Junction Temperature Range	-40°C to +125°C
Operating Ambient Temperature Range	-40°C to +85°C
Supply Input Voltage, V _{CC}	4.5V to 5.5V
Power Stage Input Voltage, V _{IN}	4.5V to 28V

Note 1. Stresses listed as the above *Absolute Maximum Ratings* may cause permanent damage to the device. These are for stress ratings. Functional operation of the device at these or any other conditions beyond those indicated in the operational sections of the specifications is not implied. Exposure to absolute maximum rating conditions for extended periods may remain possibility to affect device reliability.

Note 2. Devices are ESD sensitive. Handling precaution recommended.

Note 3. θ_{JA} is measured in the natural convection at T_A = 25°C on a low effective thermal conductivity test board of JEDEC 51-3 thermal measurement standard.

Note 4. The device is not guaranteed to function outside its operating conditions.

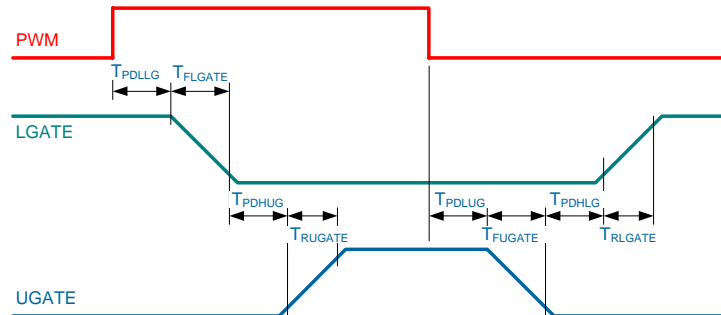
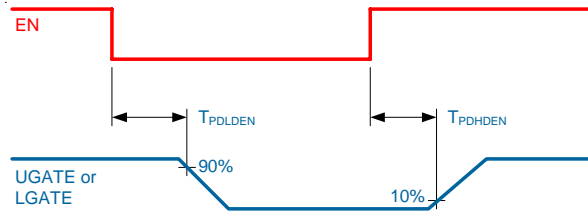
Electrical Characteristics

 (VCC = 5V, T_A = 25°C, unless otherwise specified)

Parameter	Symbol	Test Conditions	Min	Typ	Max	Unit
Supply Input						
Supply Current	I _{CC}	EN = 0V	--	10	20	µA
VCC POR Rising Threshold	V _{CCRTH}	V _{CC} Rising	3.8	4.0	4.4	V
VCC POR Hysteresis	V _{CCHYS}		--	0.2	--	V
PWM Input						
Input High Level	PWM _H		2.9	--	--	V
Input Low Level	PWM _L		--	--	0.4	V
PWM Floating Voltage	PWM _{FLT}		--	1.6	--	V
PWM Input Current	I _{PWM}	PWM = 0V	-520	-300	-200	µA
		PWM = 3.3V	0.5	1	1.6	mA
		PWM = 5V	1	2	2.6	mA
Tris-State Shutdown Hold-Off Time			70	130	220	ns
Enable Control						
Input High	EN _H		2	--	--	V
Input Low	EN _L		--	--	0.6	V
Propagation Delay Time	T _{PDH DEN}		1	6	10	µs
	T _{PDL DEN}		--	--	600	ns
Bootstrap Diode						
Forward Voltage			--	0.33	--	V
High Side Driver						
Output Resistance, Sourcing	R _{H_SRC}	V _{BOOT} - V _{PHASE} = 5V, I _{UGATE} = -80mA	--	0.7	1.4	Ω
Output Resistance, Sinking	R _{H_SNK}	V _{BOOT} - V _{PHASE} = 5V, I _{UGATE} = -80mA	--	0.4	0.8	Ω
Output Rising Time	T _{RUGATE}	V _{BOOT} - V _{PHASE} = 5V, C _{LOAD} = 3nF	--	20	--	ns
Output Falling Time	T _{FUGATE}	V _{BOOT} - V _{PHASE} = 5V, C _{LOAD} = 3nF	--	10	--	ns
Propagation Delay Time	T _{PDHUG}	V _{BOOT} - V _{PHASE} = 5V	--	30	45	ns
	T _{PDLUG}	V _{BOOT} - V _{PHASE} = 5V	--	20	30	ns

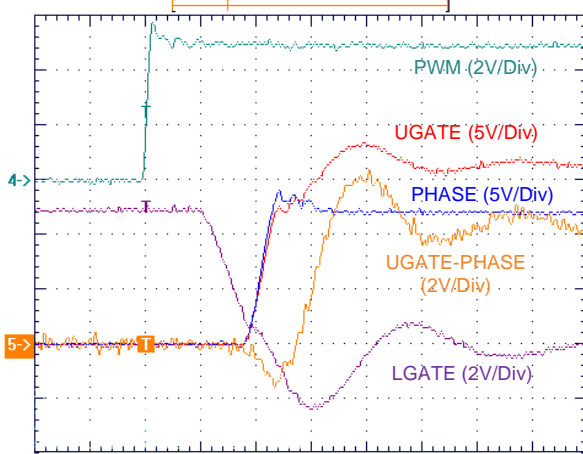
Electrical Characteristics

Parameter	Symbol	Test Conditions	Min	Typ	Max	Unit
Low Side Driver						
Output Resistance, Sourcing	R_{L_SRC}	$V_{CC} = 5V, I_{LGATE} = -80mA$	--	0.7	1.4	Ω
Output Resistance, Sinking	R_{L_SNK}	$V_{CC} = 5V, I_{LGATE} = -80mA$	--	0.3	0.7	Ω
Output Rising Time	T_{RLGATE}	$V_{CC} = 5V, C_{LOAD} = 3nF$	--	20	--	ns
Output Falling Time	T_{FLGATE}	$V_{CC} = 5V, C_{LOAD} = 3nF$	--	10	--	ns
Propagation Delay Time	T_{PDHLG}	$V_{CC} = 5V$	--	30	45	ns
	T_{PDLLG}	$V_{CC} = 5V$	--	20	30	ns



Typical Operation Characteristics

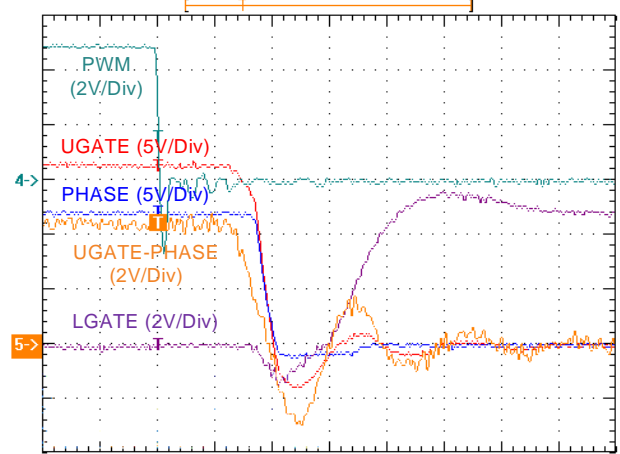
LGATE Falling to UGATE Rising Dead Time



Time : 20ns/Div

$V_{IN}=12V$, $V_{CC}=5V$, Converter Load = 0A,
MOSFET = QM3816*2ea, RC Snubber, $R=2.2\Omega$, $C=3.3nF$

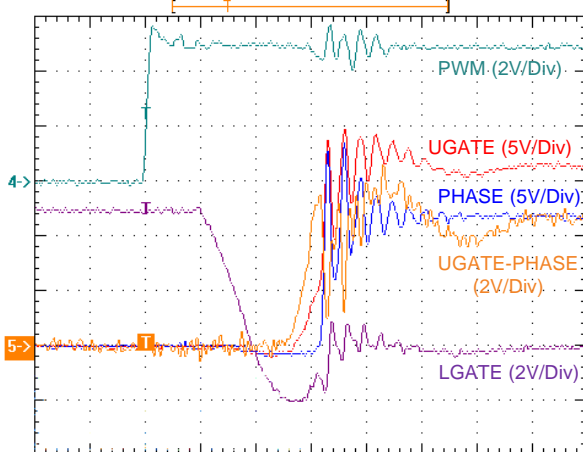
UGATE Falling to LGATE Rising Dead Time



Time : 20ns/Div

$V_{IN}=12V$, $V_{CC}=5V$, Converter Load = 0A,
MOSFET = QM3816*2ea, RC Snubber, $R=2.2\Omega$, $C=3.3nF$

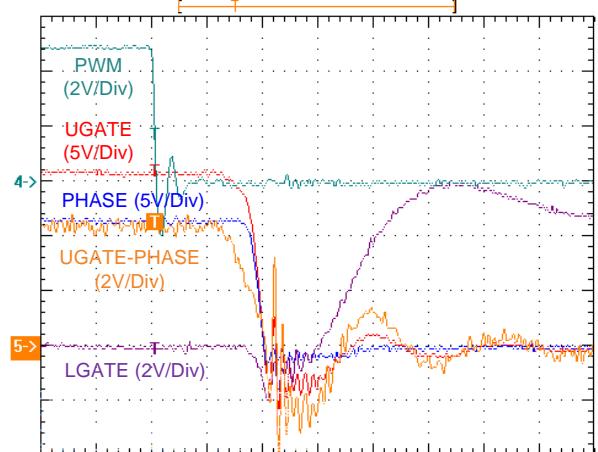
LGATE Falling to UGATE Rising Dead Time



Time : 20ns/Div

$V_{IN}=12V$, $V_{CC}=5V$, Converter Load = 20A,
MOSFET = QM3816*2ea, RC Snubber, $R=2.2\Omega$, $C=3.3nF$

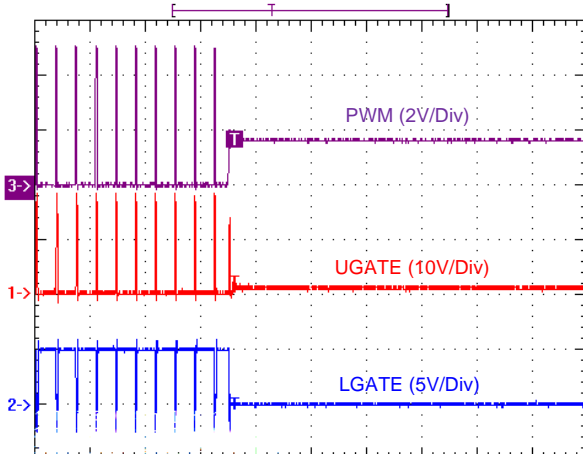
UGATE Falling to LGATE Rising Dead Time



Time : 20ns/Div

$V_{IN}=12V$, $V_{CC}=5V$, Converter Load = 20A,
MOSFET = QM3816*2ea, RC Snubber, $R=2.2\Omega$, $C=3.3nF$

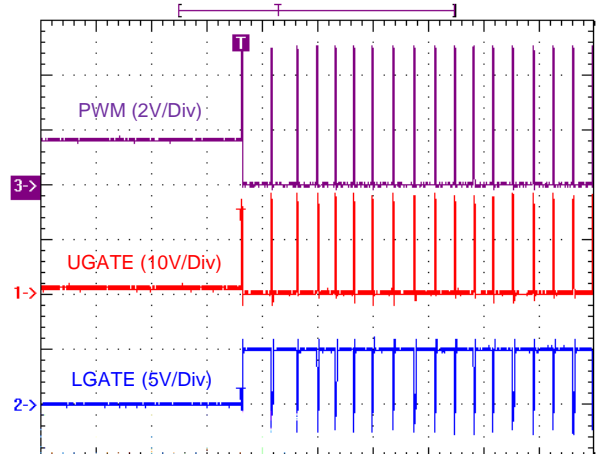
PWM Enter Tristate Operation



Time : 10us/Div

$V_{IN}=12V$, $V_{CC}=5V$, Converter Load = 0A,
MOSFET = QM3816*2ea

PWM Exit Tristate Operation

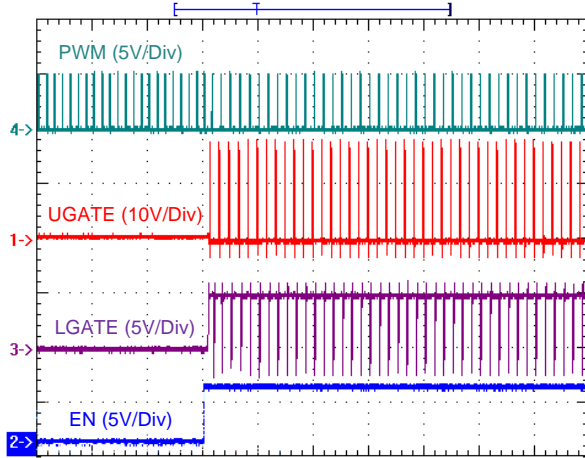


Time : 10us/Div

$V_{IN}=12V$, $V_{CC}=5V$, Converter Load = 0A,
MOSFET = QM3816*2ea

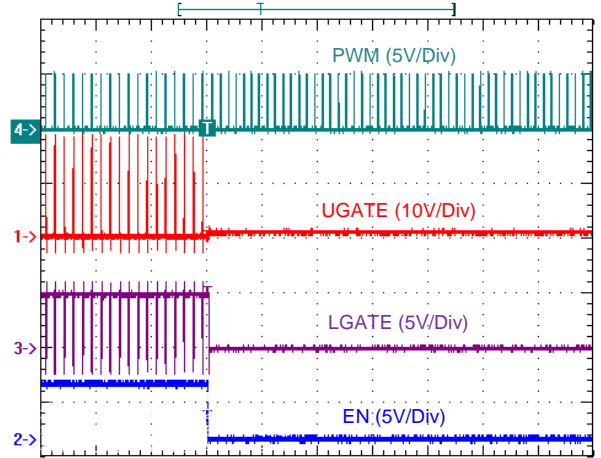
Typical Operation Characteristics

EN Go High Delay



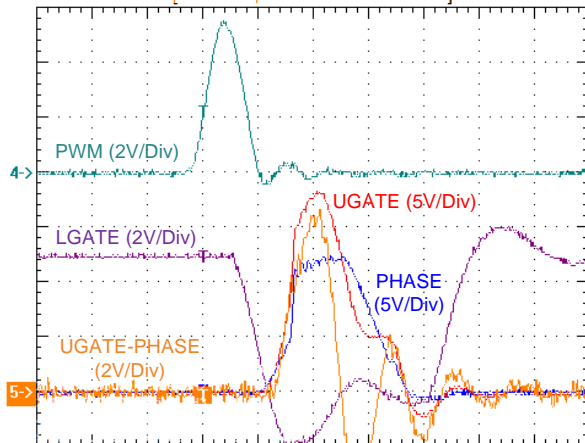
Time : 20us/Div
 $V_{IN}=12V, V_{CC}=5V, PWM=300kHz, D=5\%$,
 MOSFET = QM3816*2ea

EN Go Low Delay



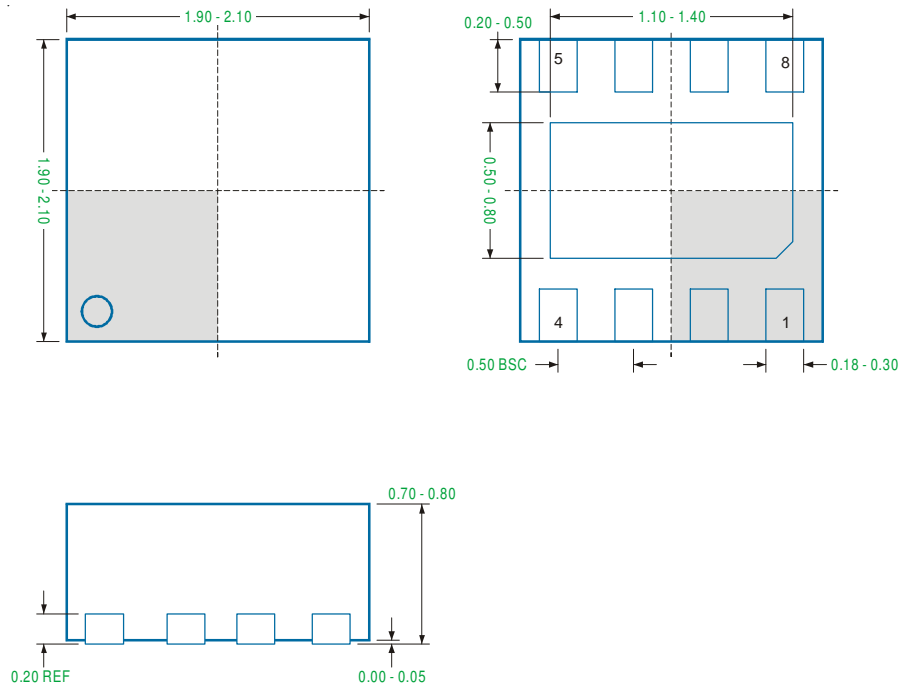
Time : 20us/Div
 $V_{IN}=12V, V_{CC}=5V, PWM=300kHz, D=5\%$,
 MOSFET = QM3816*2ea

Short Pulse



Time : 40ns/Div
 $V_{IN}=12V, V_{CC}=5V, PWM=30ns, Converter Load = 0A$,
 MOSFET = QM3816*2ea

WDFN2x2 - 8L



Note

1. Package Outline Unit Description:

BSC: Basic. Represents theoretical exact dimension or dimension target

MIN: Minimum dimension specified.

MAX: Maximum dimension specified.

REF: Reference. Represents dimension for reference use only. This value is not a device specification.

TYP: Typical. Provided as a general value. This value is not a device specification.

2. Dimensions in Millimeters.

3. Drawing not to scale.

4. These dimensions do not include mold flash or protrusions. Mold flash or protrusions shall not exceed 0.15mm.

Important Notice

uPI and its subsidiaries reserve the right to make corrections, modifications, enhancements, improvements, and other changes to its products and services at any time and to discontinue any product or service without notice. Customers should obtain the latest relevant information before placing orders and should verify that such information is current and complete.

uPI products are sold subject to the terms and conditions of sale supplied at the time of order acknowledgment. However, no responsibility is assumed by uPI or its subsidiaries for its use or application of any product or circuit; nor for any infringements of patents or other rights of third parties which may result from its use or application, including but not limited to any consequential or incidental damages. No uPI components are designed, intended or authorized for use in military, aerospace, automotive applications nor in systems for surgical implantation or life-sustaining. No license is granted by implication or otherwise under any patent or patent rights of uPI or its subsidiaries.

COPYRIGHT (c) 2018, UPI SEMICONDUCTOR CORP.

uPI Semiconductor Corp.

Headquarter
9F., No.5, Taiyuan 1st St. Zhubei City,
Hsinchu Taiwan, R.O.C.
TEL : 886.3.560.1666 FAX : 886.3.560.1888

Sales Branch Office
12F-5, No. 408, Ruiguang Rd. Neihu District,
Taipei Taiwan, R.O.C.
TEL : 886.2.8751.2062 FAX : 886.2.8751.5064