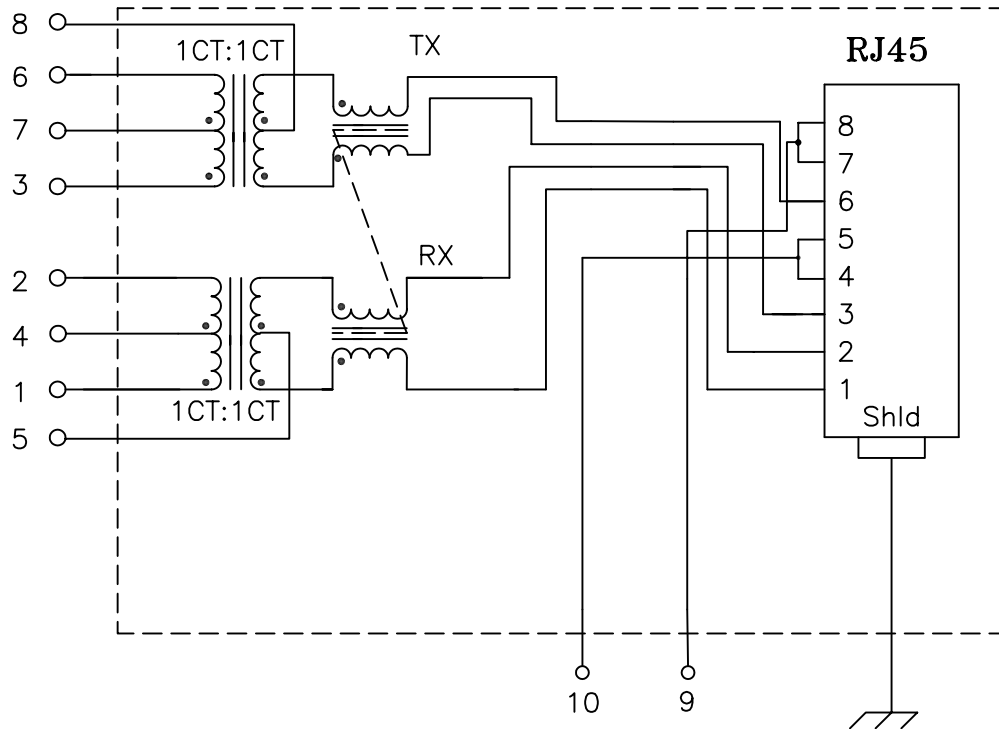


# Schematic:



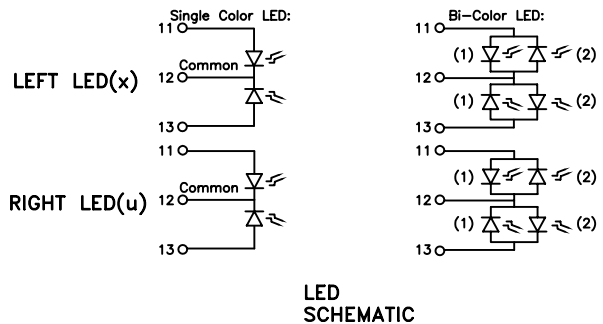
## Electrical Specifications: @25°C

- Isolation Voltage: 2250 Vdc (Input to Output)
- Isolation Voltage: 500 Vrms (P1+2+4 to P3+6+7)
- Isolation Voltage: 500 Vrms (P9+10 to J1+3 & P8)
- Isolation Voltage: 500 Vrms (P9 to P10)
- Turns Ratio: TX 1CT:1CT ±3% RX 1CT:1CT ±3%
- Q: 16 Min @100KHz 0.1V
- Insertion Loss: -1.2dB Max @1-100 MHz
- Return Loss: 1-30MHz 40MHz 50MHz 60-80MHz  
-16dB -14dB -13dB -12dB (Min)
- Differential to Common Mode Rejection:  
30MHz 60MHz 100MHz  
-50dB -43dB -35dB (Min)
- Cross Talk: 30MHz 60MHz 100MHz  
-43dB -37dB -33dB (Min)
- Balanced DC Line Current: 700mA Max @57Vdc continuous Pins 5,8  
1200mA Max @57Vdc for 200milliseconds Pins 5,8
- DC Current: 1.5A/pin, J4,5,7&8.

### Notes:

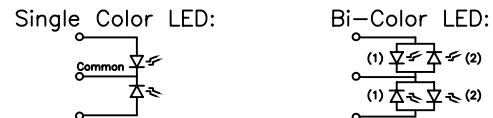
- Solderability: Leads shall meet MIL-STD-202G, Method 208H for solderability.
- Flammability: UL94V-0
- ASTM oxygen index: > 28%
- Insulation System: Class F 155°C. UL file E151556
- Operating Temperature Range: All listed parameters are to be within tolerance from -40°C to +85°C
- Storage Temperature Range: -55°C to +125°C
- Aqueous wash compatible
- Electrical and mechanical specifications 100% tested
- RoHS Compliant Component

DOC. REV: A/1



Complete the Combo P/N as follows:

Replace 'x' & 'u' in the part number with one of the LED color letters:  
 Y=Yellow  
 G=Green  
 A=Amber  
 R=Red  
 C=Green(1)/Amber(2) Bicolor  
 D=Amber(1)/Green(2) Bicolor  
 M=Green(1)/Yellow(2) Bicolor  
 N=Yellow(1)/Green(2) Bicolor  
 P=Red(1)/Green(2) Bicolor  
 Q=Green(1)/Red(2) Bicolor  
 E=Red(1)/Yellow(2) Bicolor  
 F=Yellow(1)/Red(2) Bicolor  
 H=Amber(1)/Yellow(2) Bicolor  
 J=Green(1)/Green(2) Bicolor

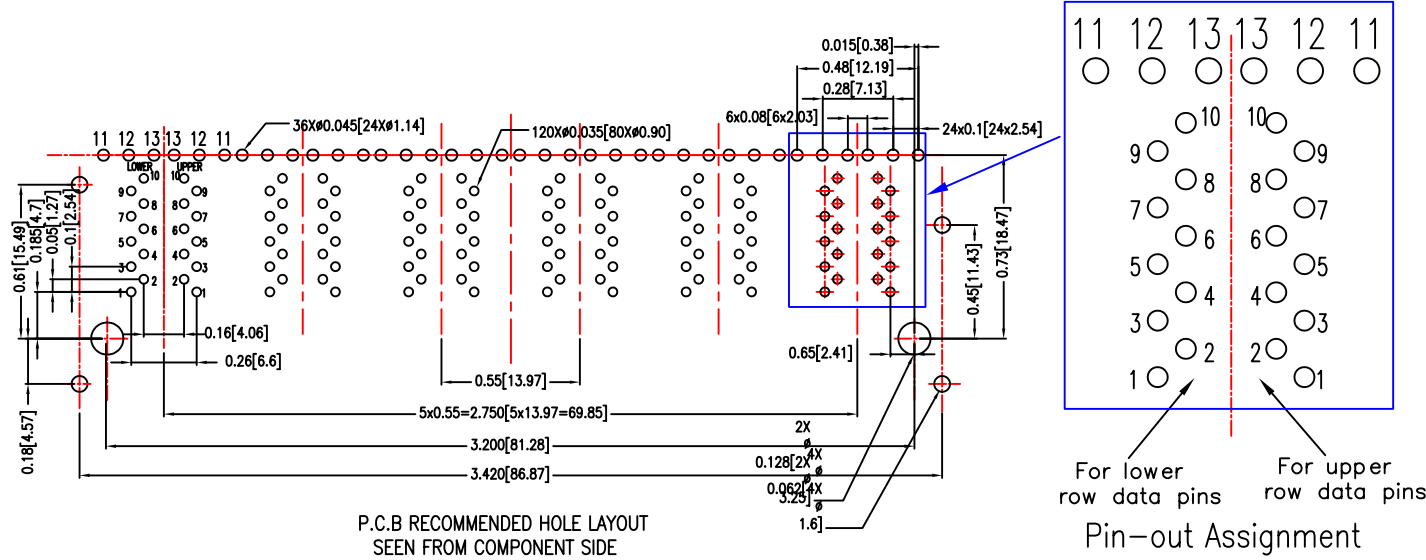
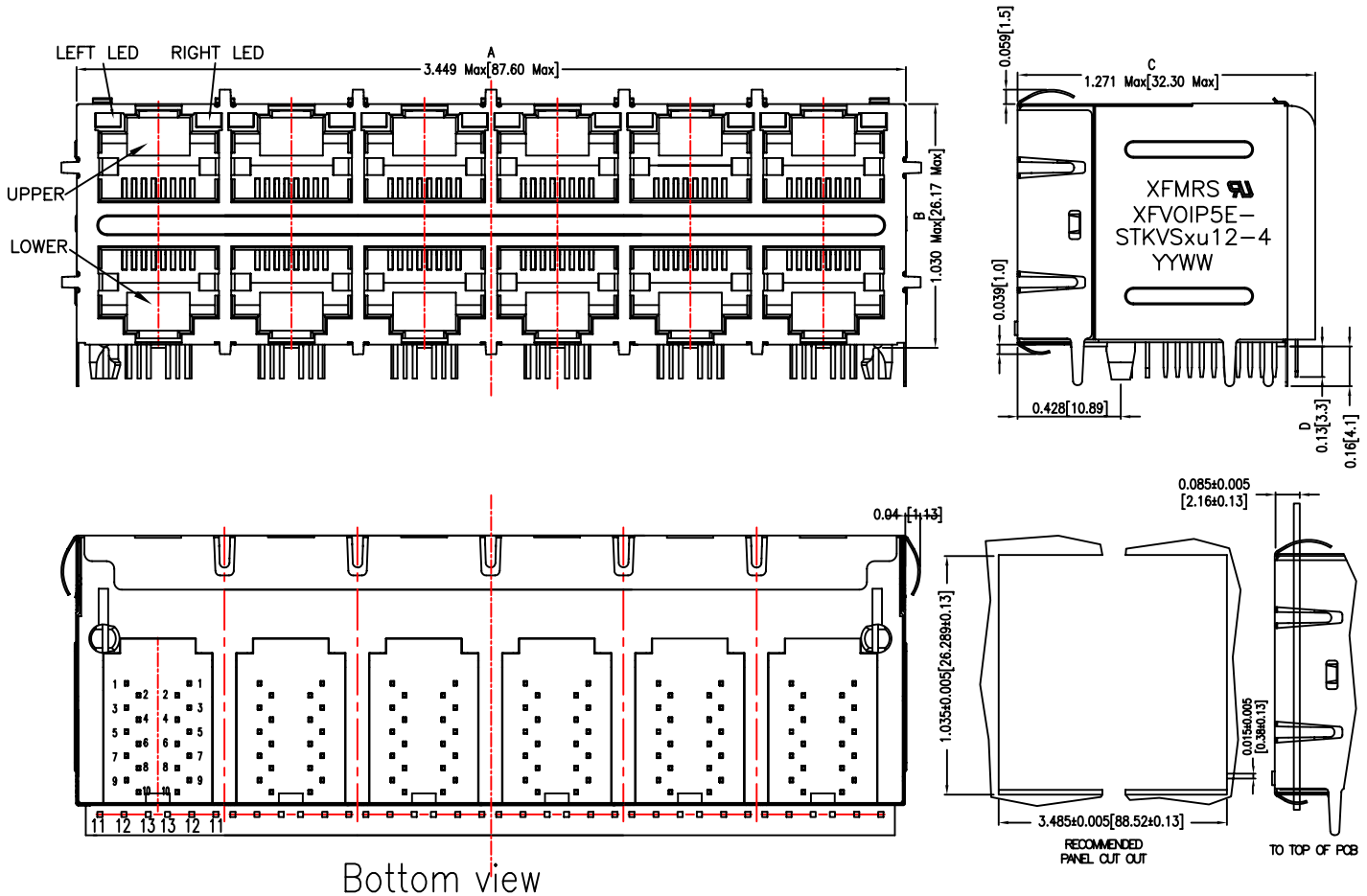


**PROPRIETARY:**

Document is the property of XFMRs Group & is not allowed to be duplicated without authorization.

<b>XFMRs Inc.</b> www.XFMRs.com		Title: <b>SINGLE PORT COMBO</b>	
UNLESS OTHERWISE SPECIFIED		P/N:XFVOIP5E-STKVSxu12-4	
TOLERANCES: .xxx ±0.010		REV. A	
Dimensions in Inch		DWN. Xian yi	Nov-03-09
SHEET 1 OF 2		CHK. YK Liao	Nov-03-09
		APP. BW	Nov-03-09

# Mechanical Dimensions:



<b>XFMRs Inc.</b> <a href="http://www.XFMRS.com">www.XFMRS.com</a>	Title: Mechanical Dimensions For 2x6 Stacked COMBO with Vertical Dual lines Pins		
	UNLESS OTHERWISE SPECIFIED TOLERANCES: .xxx ±0.010[±0.25] Dimensions in Inch[mm]	P/N: XFVOIP5E-STKVSxu12-4	REV. A
DOC REV: A/1  <b>PROPRIETARY</b>	DWN.	Xiany	Nov-03-09
	CHK.	YK Liao	Nov-03-09
	APP.	BW	Nov-03-09
SHEET 2 OF 2			

Document is the property of XFMRs Group & is not allowed to be duplicated without authorization.