

AN2585FAP

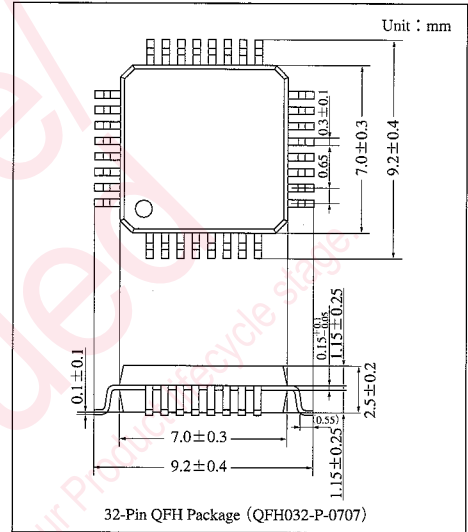
Digital Auto-Focus Interface IC

Overview

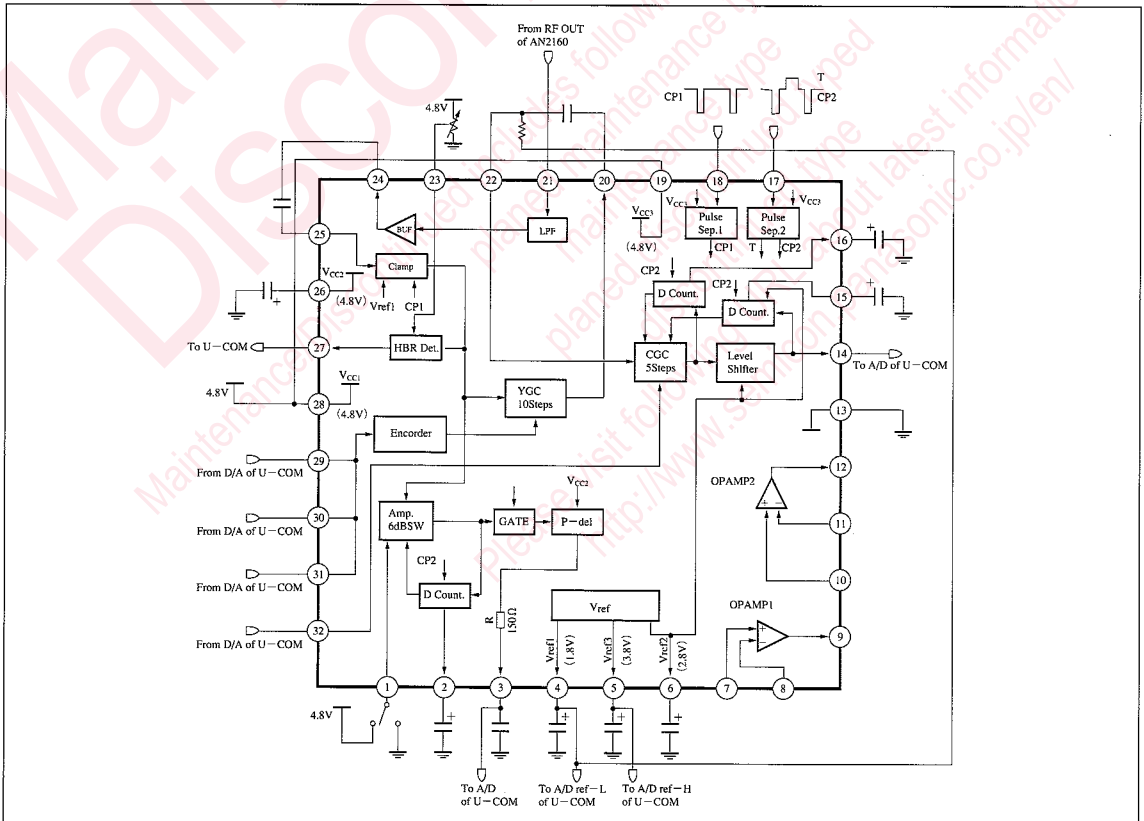
The AN2585FAP is an interface IC for a digital auto-focus system. It contains all peripheral circuits needed for the system, contributing to a reduced number of components of the system.

Features

- Built-in low-pass filters
- Built-in operational amplifiers
- Built-in voltage reference



Block Diagram



ICs for
Video
Camera

■ Pin Descriptions

Pin No.	Pin name	Pin No.	Pin name
1	-6dB SW	17	Pulse input (2)
2	Luminance offset correction capacitor	18	Pulse input (1)
3	Luminance detection output	19	Power supply input (3)
4	Voltage reference (1)	20	Luminance gain control output
5	Voltage reference (3)	21	Low-pass filter input
6	Voltage reference (2)	22	Contrast gain control input
7	Operational amp. (1) positive input	23	High-brightness control input
8	Operational amp. (1) negative input	24	Low-pass filter output
9	Operational amp. (1) output	25	Luminance clamp input
10	Operational amp. (2) positive input	26	Power supply input (2)
11	Operational amp. (2) negative input	27	High-brightness detection output
12	Operational amp. (2) output	28	Power supply input (1)
13	GND	29	Luminance control input (0)
14	Main signal output	30	Luminance control input (1)
15	Main signal offset correction	31	Luminance control input (2)
16	Contrast gain control offset correction	32	Contrast gain control input

■ Absolute Maximum Ratings (Ta = 25°C)

Parameter	Symbol	Rating	Unit
Supply voltage	V _{CC}	5.5	V
Supply current	I _{CC}	35	mA
Power dissipation	P _D	190	mW
Operating ambient temperature ^{Note 1)}	T _{opr}	-20 to +75	°C
Storage temperature ^{Note 1)}	T _{stg}	-55 to +125	°C

Note 1) Ta = 25°C except operating ambient temperature and storage temperatures.
The recommended operating ambient temperature range T is -10 to +60°C.

■ Recommended Operating Range (Ta = 25°C)

Parameter	Symbol	Range
Operating supply voltage range	V _{CC}	4.5V to 5.1V

Electrical Characteristics ($T_a = 25 \pm 2^\circ\text{C}$)

Parameter	Symbol	Condition	min	typ	max	Unit
Total circuit current	I_{tot}	$V_{CC1,2,3} = 4.8\text{V}$, (below $V_{CC} = 4.8\text{V}$)	10	15	20	mA
Voltage reference 1	V_{ref1}	$V_{CC1,2,3} = 4.8\text{V}$, (below $V_{CC} = 4.8\text{V}$)	1.68	1.78	1.88	V
Voltage reference 2	V_{ref2}	$V_{CC1,2,3} = 4.8\text{V}$, (below $V_{CC} = 4.8\text{V}$)	2.69	2.79	2.89	V
Voltage reference 3	V_{ref3}	$V_{CC1,2,3} = 4.8\text{V}$, (below $V_{CC} = 4.8\text{V}$)	3.69	3.79	3.89	V
Clamp voltage	ΔV_{CLP}	$V_{CC1,2,3} = 4.8\text{V}$, difference from V_{ref1}	-50	0	50	mV
OPAMP 1, 2	ΔV_{OPH}	Input 3.9V, difference voltage between input and output	-100	0	100	mV
OPAMP 1, 2	ΔV_{OPL}	Input 1.0V, difference voltage between input and output	-100	0	100	mV
HBRdet	ΔV_{HBR}	Input 1.0V, Pin [Ⓜ] 2.8V	3.5	—	—	V
Pulse separation level 1 (CP1)	V_{CP1}	Input 1.0V, Pin [Ⓜ] 2.8V	1.9	2.4	2.9	V
Pulse separation level 2 (CP2)	V_{CP2}	Input 1.0V, Pin [Ⓜ] 2.8V	1.5	2.0	2.5	V
Pulse separation level 3 (Y)	V_Y	Input 1.0V, Pin [Ⓜ] 2.8V	3.5	4.0	4.5	V
Luminance gain (max.)	$GV_{(Y1)}$	700kHz 60mV _{P-P} , Sine wave input with BLK	300	337	380	mV _{P-P}
Luminance gain ratio	$\frac{GV_{(Yn)}}{GV_{(Yn-1)}}$	700kHz 60mV _{P-P} , ratio to former stage change-over	0.6	0.7	0.8	times
Luminance gain frequency characteristics	$GV_{(YF)}$	3MHz 60mV _{P-P} , Sine wave input with BLK	0.8	—	—	times
Luminance detection offset	V_{off}	No-signal input	-100	0	100	mV
Luminance detection output 1	$V_{D(Y1)}$	200kHz 600mV _{P-P} , Sine wave input with BLK	1.55	1.85	2.15	V
Luminance detection output 2	$V_{D(Y2)}$	2MHz 600mV _{P-P} , Sine wave input with BLK	0.8	0.9	1.0	times
Luminance detection output 3	$V_{D(Y3)}$	200kHz 600mV _{P-P} , Sine wave input with BLK	0.48	0.53	0.58	times
Main output gain (max.)	$GV_{(M1)}$	700kHz 70mV _{P-P} , Sine wave input with BLK	1150	1300	1450	mV _{P-P}
Main output gain ratio	$\frac{GV_{(Mn)}}{GV_{(Mn-1)}}$	700kHz 70mV _{P-P} , ratio to former stage change-over	0.6	0.7	0.8	times
Main output frequency characteristics	$GV_{(MF)}$	3MHz 70mV _{P-P} , Sine wave input with BLK	-3.0	—	—	dB
Main output DC offset	V_{Moff}	No-signal input	-100	0	100	mV
LPF f-characteristics 1	$GV_{(LF1)}$	500kHz 1.2V _{P-P} , Sine wave input	-0.8	0	0.5	dB
LPF f-characteristics 2	$GV_{(LF2)}$	2.8MHz 1.2V _{P-P} , Sine wave input	-5.1	-4.1	-3.1	dB
DC control terminal voltage 1	V_{DC2}	$V_{CC1,2,3} = 4.8\text{V}$, Pin [Ⓜ] output	—	1.8	—	V
DC control terminal voltage 2	V_{DC15}	$V_{CC1,2,3} = 4.8\text{V}$, Pin [Ⓜ] output	—	3.5	—	V
DC control terminal voltage 3	V_{DC16}	$V_{CC1,2,3} = 4.8\text{V}$, Pin [Ⓜ] output	—	3.2	—	V
LPF output DC voltage	V_{LF24}	$V_{CC1,2,3} = 4.8\text{V}$, Pin [Ⓜ] output	—	2.5	—	V
Luminance gain control output DC voltage	V_{YGC}	$V_{CC1,2,3} = 4.8\text{V}$, Pin [Ⓜ] output	—	1.8	—	V
LPF delay 1	$GD_{(LF1)}$	500kHz, 1.2V _{P-P} , sine wave delay of output from input	—	180	—	ns
LPF delay 2	$GD_{(LF2)}$	2.8MHz 1.2V _{P-P} , sine wave delay of output from input	—	180	—	ns

 ICs for
Video
Camera

Request for your special attention and precautions in using the technical information and semiconductors described in this book

- (1) If any of the products or technical information described in this book is to be exported or provided to non-residents, the laws and regulations of the exporting country, especially, those with regard to security export control, must be observed.
- (2) The technical information described in this book is intended only to show the main characteristics and application circuit examples of the products. No license is granted in and to any intellectual property right or other right owned by Panasonic Corporation or any other company. Therefore, no responsibility is assumed by our company as to the infringement upon any such right owned by any other company which may arise as a result of the use of technical information described in this book.
- (3) The products described in this book are intended to be used for standard applications or general electronic equipment (such as office equipment, communications equipment, measuring instruments and household appliances).
Consult our sales staff in advance for information on the following applications:
 - Special applications (such as for airplanes, aerospace, automobiles, traffic control equipment, combustion equipment, life support systems and safety devices) in which exceptional quality and reliability are required, or if the failure or malfunction of the products may directly jeopardize life or harm the human body.
 - Any applications other than the standard applications intended.
- (4) The products and product specifications described in this book are subject to change without notice for modification and/or improvement. At the final stage of your design, purchasing, or use of the products, therefore, ask for the most up-to-date Product Standards in advance to make sure that the latest specifications satisfy your requirements.
- (5) When designing your equipment, comply with the range of absolute maximum rating and the guaranteed operating conditions (operating power supply voltage and operating environment etc.). Especially, please be careful not to exceed the range of absolute maximum rating on the transient state, such as power-on, power-off and mode-switching. Otherwise, we will not be liable for any defect which may arise later in your equipment.
 - Even when the products are used within the guaranteed values, take into the consideration of incidence of break down and failure mode, possible to occur to semiconductor products. Measures on the systems such as redundant design, arresting the spread of fire or preventing glitch are recommended in order to prevent physical injury, fire, social damages, for example, by using the products.
- (6) Comply with the instructions for use in order to prevent breakdown and characteristics change due to external factors (ESD, EOS, thermal stress and mechanical stress) at the time of handling, mounting or at customer's process. When using products for which damp-proof packing is required, satisfy the conditions, such as shelf life and the elapsed time since first opening the packages.
- (7) This book may be not reprinted or reproduced whether wholly or partially, without the prior written permission of our company.