

December 2000

### 1.0 Features

- On-chip tunable voltage-controlled crystal oscillator circuitry (VCXO) allows precise system frequency tuning (pull range typically 300ppm)
- VCXO tuning range: 0-3V
- Uses inexpensive fundamental-mode crystals
- Two integrated phase-locked loops (PLL) multiply VCXO frequency to the higher system frequencies needed
- 5V core supply voltage (contact factory for 3.3V)
- 3.3V / 5V output supply voltage
- Small circuit board footprint (20-pin SOIC)
- Custom frequency selections available - contact your local AMI Sales Representative for more information

### 2.0 Description

The FS6245 is a monolithic CMOS clock generator IC designed to minimize cost and component count in digital video/audio systems.

At the core of the FS6245 is circuitry that implements a voltage-controlled crystal oscillator when an external resonator is attached. The VCXO allows device frequencies to be precisely adjusted for use in systems that have frequency matching requirements, such as digital satellite receivers.

Two high-resolution phase-locked loops generate the output clock frequencies (CLKA, CLKB, and CLKC). These frequencies are phase-locked and frequency-locked to the VCXO frequency. Synthesis error of the PLLs is +/- 0 ppm unless otherwise noted.

Figure 1: Pin Configuration

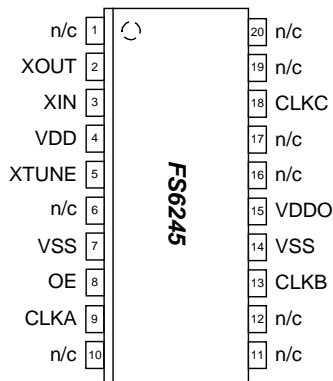
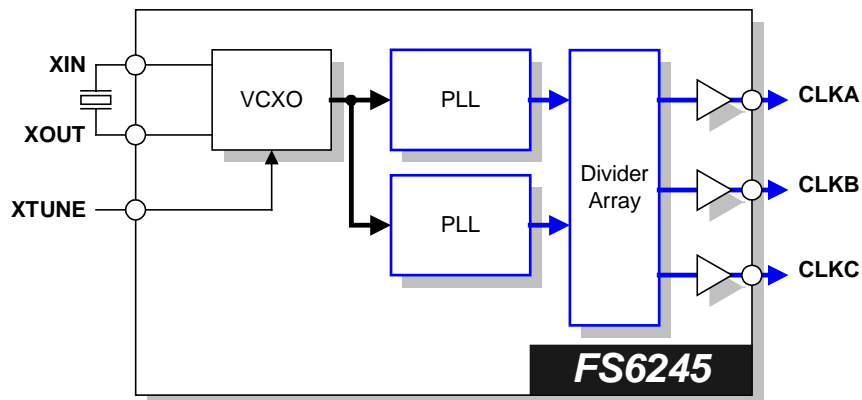


Table 1: Crystal / Output Frequencies

DEVICE	f <sub>XIN</sub> (MHz)	CLKA (MHz)	CLKB (MHz)	CLKC (MHz)
FS6245-01	13.500	11.0592	18.432	27.000

NOTE: Contact AMI for custom PLL frequencies

Figure 2: Block Diagram



# FS6245

## Dual PLL VCXO Clock Generator IC



December 2000

**Table 2: Pin Descriptions**

Key: AI = Analog Input; AO = Analog Output; DI = Digital Input; DI<sup>U</sup> = Input with Internal Pull-Up; DI<sub>D</sub> = Input with Internal Pull-Down; DIO = Digital Input/Output; DI-3 = Three-Level Digital Input, DO = Digital Output; P = Power/Ground; # = Active Low pin

PIN	TYPE	NAME	DESCRIPTION
1	-	N/C	No Connection
2	AI	XIN	VCXO Crystal Feedback
3	AO	XOUT / FREF	VCXO Crystal Drive / External Reference Clock Input
4	P	VDD	Core Power Supply
5	AI	XTUNE	VCXO Tune Input
6	-	N/C	No Connection
7	P	VSS	Ground
8	DI <sup>U</sup>	OE	Output Enable
9	DO	CLKA	Clock Output "A"
10	-	N/C	No Connection
11	-	N/C	No Connection
12	-	N/C	No Connection
13	DO	CLKB	Clock Output "B"
14	P	VSS	Ground
15	P	VDDO	Output Power Supply (must be less than or equal to VDD)
16	-	N/C	No Connection
17	-	N/C	No Connection
18	DO	CLKC	Clock Output "C"
19	-	N/C	No Connection
20	-	N/C	No Connection

December 2000

### 3.0 Functional Block Description

#### 3.1 Phase-Locked Loop (PLL)

The on-chip PLL is a standard frequency- and phase-locked loop architecture. The PLL multiplies the reference oscillator to the desired frequency by a ratio of integers. The frequency multiplication is exact with a zero synthesis error (unless otherwise noted).

#### 3.2 Voltage-Controlled Crystal Oscillator (VCXO)

The VCXO provides a tunable, low-jitter frequency reference for the rest of the FS6245 system components. Loading capacitance for the crystal is internal to the FS6245. No external components (other than the crystal resonator itself) are required for operation of the VCXO.

Continuous fine-tuning of the VCXO frequency is accomplished by varying the voltage on the XTUNE pin.

The oscillator operates the crystal resonator in the parallel-resonant mode. Crystal warping, or the “pulling” of the crystal oscillation frequency, is accomplished by altering the effective load capacitance presented to the crystal by the oscillator circuit. The actual amount that changing the load capacitance alters the oscillator frequency will be dependent on the characteristics of the crystal as well as the oscillator circuit itself.

Specifically, the motional capacitance of the crystal (usually referred to by crystal manufacturers as  $C_1$ ), the static capacitance of the crystal ( $C_0$ ), and the load capacitance ( $C_L$ ) of the oscillator determine the “warping” or “pulling” capability of the crystal in the oscillator circuit.

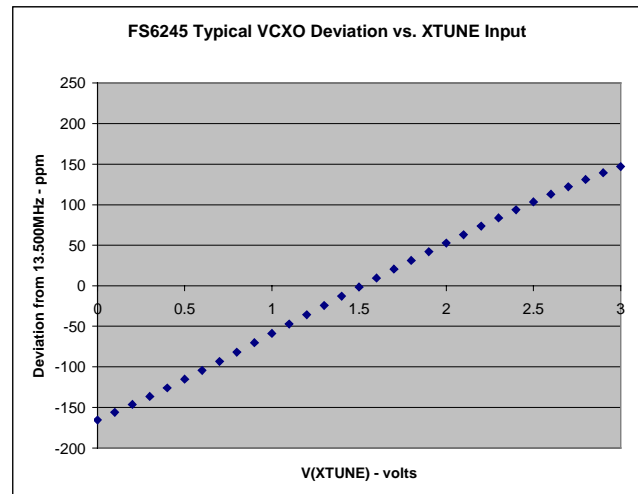
A simple formula to obtain the warping capability of a crystal oscillator is:

$$\Delta f \text{ (ppm)} = \frac{C_1 \times (C_{L2} - C_{L1}) \times 10^6}{2 \times (C_0 + C_{L2}) \times (C_0 + C_{L1})}$$

where  $C_{L1}$  and  $C_{L2}$  are the two extremes of the applied load capacitance.

EXAMPLE: A crystal with the following parameters is used. With  $C_1 = 0.025\text{pF}$ ,  $C_0 = 6\text{pF}$ ,  $C_{L1} = 10\text{pF}$ , and  $C_{L2} = 20\text{pF}$ , the tuning range is

$$\Delta f = \frac{0.025 \times (20 - 10) \times 10^6}{2 \times (6 + 20) \times (6 + 10)} = 300 \text{ ppm}.$$



# FS6245

## Dual PLL VCXO Clock Generator IC



December 2000

### 4.0 Electrical Specifications

**Table 3: Absolute Maximum Ratings**

Stresses above those listed under Absolute Maximum Ratings may cause permanent damage to the device. These conditions represent a stress rating only, and functional operation of the device at these or any other conditions above the operational limits noted in this specification is not implied. Exposure to maximum rating conditions for extended conditions may affect device performance, functionality, and reliability.

PARAMETER	SYMBOL	MIN.	MAX.	UNITS
Supply Voltage ( $V_{SS} = \text{ground}$ )	$V_{DD}$	$V_{SS}-0.5$	7	V
Input Voltage, dc	$V_I$	$V_{SS}-0.5$	$V_{DD}+0.5$	V
Output Voltage, dc	$V_O$	$V_{SS}-0.5$	$V_{DD}+0.5$	V
Input Clamp Current, dc ( $V_I < 0$ or $V_I > V_{DD}$ )	$I_{IK}$	-50	50	mA
Output Clamp Current, dc ( $V_I < 0$ or $V_I > V_{DD}$ )	$I_{OK}$	-50	50	mA
Storage Temperature Range (non-condensing)	$T_S$	-65	150	°C
Ambient Temperature Range, Under Bias	$T_A$	-55	125	°C
Junction Temperature	$T_J$		125	°C
Lead Temperature (soldering, 10s)			260	°C
Input Static Discharge Voltage Protection (MIL-STD 883E, Method 3015.7)			2	kV



**CAUTION: ELECTROSTATIC SENSITIVE DEVICE**

Permanent damage resulting in a loss of functionality or performance may occur if this device is subjected to a high-energy electrostatic discharge.

**Table 4: Operating Conditions**

PARAMETER	SYMBOL	CONDITIONS/DESCRIPTION	MIN.	TYP.	MAX.	UNITS
Core Supply Voltage (VDD)	$V_{DD}$	$5V \pm 10\%$	4.75	5	5.25	V
CLK Pin Supply Voltage (VDDO)	$V_{DDO}$		3.0	-	$V_{DD}+0.3$	V
Ambient Operating Temperature Range	$T_A$		0		70	°C
Crystal Resonator Frequency	$f_{XTAL}$	Fundamental Mode	5	13.5	18	MHz
Crystal Resonator Motional Capacitance	$C_{1(xtal)}$	AT cut		25		fF
Crystal Load Capacitance	$C_{L(xtal)}$	AT cut		14		pF

December 2000

**Table 5: DC Electrical Specifications**

Unless otherwise stated,  $V_{DD} = 5V \pm 10\%$ , no load on any output, and ambient temperature range  $T_A = 0^\circ C$  to  $70^\circ C$ . Parameters denoted with an asterisk ( \* ) represent nominal characterization data and are not production tested to any specific limits. Where given, MIN and MAX characterization data are  $\pm 3\sigma$  from typical. Negative currents indicate current flows out of the device.

PARAMETER	SYMBOL	CONDITIONS/DESCRIPTION	MIN.	TYP.	MAX.	UNITS
<b>Overall</b>						
Supply Current, Dynamic, with Loaded Outputs	$I_{DD}$	$f_{XTAL} = 13.5MHz; C_L = 10pF$		20		mA
<b>Voltage Controlled Crystal Oscillator - VDD=5.0V</b>						
Crystal Loading Capacitance	$C_{L(xtal)}$	As seen by a crystal connected to XIN and XOUT (@ $V_{XTUNE} = 1.65V$ )		14		pF
Crystal Resonator Motional Capacitance	$C_{1(xtal)}$	AT cut		25		fF
VCXO Tuning Range		$f_{XTAL} = 13.5MHz; C_{L(xtal)} = 14pF; C_{1(xtal)} = 25fF$		300		ppm
VCXO Tuning Characteristic		Note: positive $\Delta F$ for positive $\Delta V$		100		ppm/V
Crystal Drive Level		$R_{XTAL}=20\Omega; C_{L(xtal)} = 14pF$		200		uW
<b>Clock Outputs (CLKx) - VDDO=3.3V</b>						
High-Level Output Source Current *	$I_{OH}$	$V_O = 2.0V$		-40		mA
Low-Level Output Sink Current *	$I_{OL}$	$V_O = 0.4V$		17		mA
Output Impedance *	$Z_{OH}$	$V_O = 0.5V_{DD}$ ; output driving high		30		$\Omega$
	$Z_{OL}$	$V_O = 0.5V_{DD}$ ; output driving low		30		
Short Circuit Source Current *	$I_{OSH}$	$V_O = 0V$ ; shorted for 30s, max.		-55		mA
Short Circuit Sink Current *	$I_{OSL}$	$V_O = 3.3V$ ; shorted for 30s, max.		55		mA
<b>Clock Outputs (CLKx) - VDDO=5.0V</b>						
High-Level Output Source Current *	$I_{OH}$	$V_O = 4.5V$		-30		mA
Low-Level Output Sink Current *	$I_{OL}$	$V_O = 0.4V$		26		mA
Output Impedance *	$Z_{OH}$	$V_O = 0.5V_{DD}$ ; output driving high		25		$\Omega$
	$Z_{OL}$	$V_O = 0.5V_{DD}$ ; output driving low		25		
Short Circuit Source Current *	$I_{OSH}$	$V_O = 0V$ ; shorted for 30s, max.		-100		mA
Short Circuit Sink Current *	$I_{OSL}$	$V_O = 5V$ ; shorted for 30s, max.		100		mA

# FS6245

## Dual PLL VCXO Clock Generator IC



December 2000

### Table 6: AC Timing Specifications

Unless otherwise stated,  $V_{DD} = 5V \pm 10\%$ , no load on any output, and ambient temperature range  $T_A = 0^\circ C$  to  $70^\circ C$ . Parameters denoted with an asterisk ( \* ) represent nominal characterization data and are not production tested to any specific limits. Where given, MIN and MAX characterization data are  $\pm 3\sigma$  from typical.

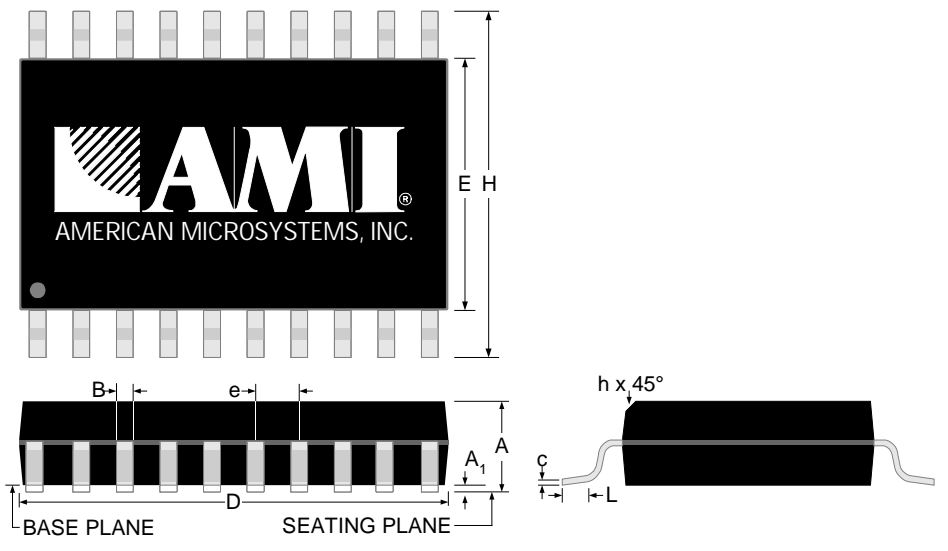
PARAMETER	SYMBOL	CONDITIONS/DESCRIPTION	MIN.	TYP.	MAX.	UNITS
<b>Overall</b>						
VCXO Stabilization Time *	$t_{VCXOSTB}$	From power valid		10		ms
PLL Stabilization Time *	$t_{PLLSTB}$	From VCXO stable		500		us
Output Frequency Synthesis Error		(unless otherwise noted in Frequency Table)			0	ppm
<b>Clock Output (CLK)</b>						
Duty Cycle *		Ratio of high pulse width (as measured from rising edge to next falling edge at $V_{DD}/2$ ) to one clock period	45		55	%
Jitter, Period (peak-peak) *	$t_{j(\Delta P)}$	From rising edge to next rising edge at $V_{DD}/2$ , $C_L = 10pF$		300		ps
Jitter, Long Term ( $\sigma_y(\tau)$ ) *	$t_{j(LT)}$	From 0-500 $\mu s$ at $V_{DD}/2$ , $C_L = 10pF$ compared to ideal clock source		150		ps
Rise Time *	$t_r$	$V_{DD} = 5V$ ; $V_{DDO} = 3.3V$ ; $V_O = 0.3V$ to $3.0V$ ; $C_L = 10pF$		1.8		ns
Fall Time *	$t_f$	$V_{DD} = 5V$ ; $V_{DDO} = 3.3V$ ; $V_O = 0.3V$ to $3.0V$ ; $C_L = 10pF$		1.4		ns
Rise Time *	$t_r$	$V_{DD} = 5V$ ; $V_{DDO} = 5.0V$ ; $V_O = 0.5V$ to $4.5V$ ; $C_L = 10pF$		1.4		ns
Fall Time *	$t_f$	$V_{DD} = 5V$ ; $V_{DDO} = 5.0V$ ; $V_O = 4.5V$ to $0.5V$ ; $C_L = 10pF$		1.25		ns

December 2000

### 5.0 Package Information

**Table 7: 20-pin SOIC (0.300") Package Dimensions**

	DIMENSIONS			
	INCHES		MILLIMETERS	
	MIN.	MAX.	MIN.	MAX.
A	0.0926	0.1043	2.35	2.65
A <sub>1</sub>	0.004	0.0118	0.10	0.30
B	0.013	0.020	0.33	0.51
C	0.0091	0.0125	0.23	0.32
D	0.4961	0.5118	12.60	13.00
E	0.2914	0.2992	7.40	7.60
e	0.05 BSC		1.27 BSC	
H	0.394	0.419	10.00	10.65
h	0.010	0.029	0.25	0.75
L	0.016	0.050	0.40	1.27
Θ	0°	8°	0°	8°



**Table 8: 20-pin SOIC (0.300") Package Characteristics**

PARAMETER	SYMBOL	CONDITIONS/DESCRIPTION	TYP.	UNITS
Thermal Impedance, Junction to Free-Air	$\Theta_{JA}$	Air flow = 0 m/s	80	°C/W
Lead Inductance, Self	L <sub>11</sub>	Center lead	2.5	nH
Lead Inductance, Mutual	L <sub>12</sub>	Center lead to any adjacent lead	0.85	nH
Lead Capacitance, Bulk	C <sub>11</sub>	Center lead to V <sub>SS</sub>	0.42	pF
Lead Capacitance, Mutual	C <sub>12</sub>	Center lead to any adjacent lead	0.08	pF

# FS6245

## Dual PLL VCXO Clock Generator IC



December 2000

### 6.0 Ordering Information

ORDERING CODE	DEVICE NUMBER	PACKAGE TYPE	OPERATING TEMPERATURE RANGE	SHIPPING CONFIGURATION
11640-223	FS6245-01	20-pin (0.300") SOIC (Small Outline Package)	0°C to 70°C (Commercial)	Tape and Reel

#### Copyright © 1998-2000 American Microsystems, Inc.

Devices sold by AMI are covered by the warranty and patent indemnification provisions appearing in its Terms of Sale only. AMI makes no warranty, express, statutory implied or by description, regarding the information set forth herein or regarding the freedom of the described devices from patent infringement. AMI makes no warranty of merchantability or fitness for any purposes. AMI reserves the right to discontinue production and change specifications and prices at any time and without notice. AMI's products are intended for use in commercial applications. Applications requiring extended temperature range, unusual environmental requirements, or high reliability applications, such as military, medical life-support or life-sustaining equipment, are specifically not recommended without additional processing by AMI for such applications.

American Microsystems, Inc., 2300 Buckskin Rd., Pocatello, ID 83201, (208) 233-4690, FAX (208) 234-6796, WWW Address: <http://www.amis.com> E-mail: [tgp@amis.com](mailto:tgp@amis.com)