

35

3550

RAST 2.5 connectors, pitch 2.5/5.0 mm



RAST 2.5 pin header, with locking latch and positioning  
spigot  
contact pitch 2.5 mm

---

State: Active

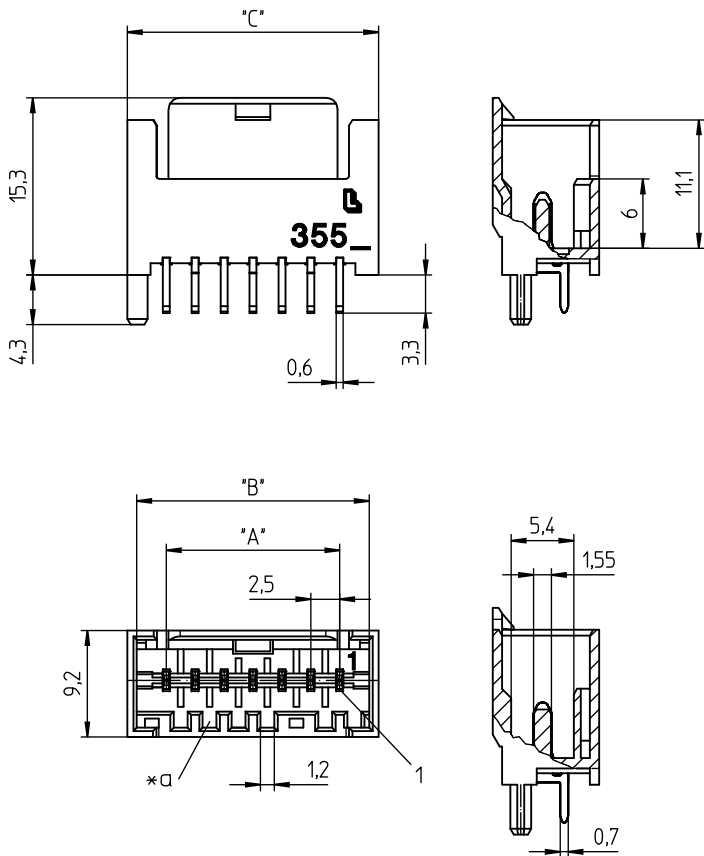
---

Approvals:



35

3550



#### Environmental conditions

Temperature range -40 °C/+120 °C<sup>1</sup>

<sup>1</sup> upper limit temperature (insulating body) RTI (electrical) of the UL Yellow Card

#### Materials

Insulating body

PA GF, V-0 according to UL94<sup>1</sup>


Contact pin

CuZn, pre-nickel and tin-plated

<sup>1</sup> M12: component glow wire resistant (GWT 750 °C), testing acc. to IEC 60695-2-11, assessment acc. to IEC 60335-1 (flame < 2 s)

#### Mechanical data

Keying proposals

at [www.lumberg.com](http://www.lumberg.com) 

#### Electrical data (at T<sub>amb</sub> 20 °C)

Rated current

4 A (T<sub>u</sub> 60 °C)  
2 A (T<sub>u</sub> 100 °C)

Rated voltage

32 V AC

Material group

IIIa (IEC)/2 (UL) (CTI ≥ 250)

Creepage distance

1,9 mm

Clearance

1,9 mm

Insulation resistance


> 1 GΩ

#### Associated products

Counterparts

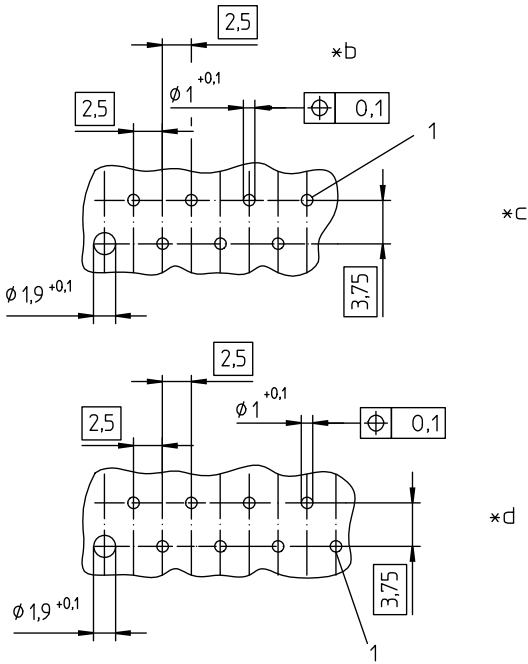
 3521

 3521-2

 352100

35

3550



- \*a keying
- \*b printed circuit board layouts, solder side view
- \*c uneven pole numbers
- \*d even pole numbers

35

3550

Designation	Pole Number	PU (Pieces)	MDQ (Pieces)	Dimensions		
				A (mm)	B (mm)	C (mm)
3550 02	2	1000	2000	2.5	7.6	9.2
3550 03	3	1000	2000	5.0	10.1	11.7
3550 04	4	1000	2000	7.5	12.6	14.2
3550 05	5	1000	2000	10.0	15.1	16.7
3550 06	6	500	2000	12.5	17.6	19.2
3550 07	7	500	2000	15.0	20.1	21.7
3550 08	8	500	2000	17.5	22.6	24.2
3550 09	9	500	2000	20.0	25.1	26.7
3550 10	10	500	2000	22.5	27.6	29.2
3550 11	11	250	2000	25.0	30.1	31.7
3550 12	12	250	2000	27.5	32.6	34.2
3550 13	13	250	2000	30.0	35.1	36.7
3550 14	14	250	2000	32.5	37.6	39.2
3550 15	15	250	2000	35.0	40.1	41.7
3550 16	16	250	2000	37.5	42.6	44.2
3550 17	17	250	2000	40.0	45.1	46.7
3550 18	18	250	2000	42.5	47.6	49.2
3550 19	19	250	2000	45.0	50.1	51.7
3550 20	20	250	2000	47.5	52.6	54.2

Designation to be completed by further details (e.g. for keying, color or material options).

**Packaging:**

in bulk, in a cardboard box