



EF-1199-6B

Operating Voltage: _____ 125 / 250 V
 Operating Current (Max): _____ 6.0 AMP
 Frequency: _____ 50/400 Hz

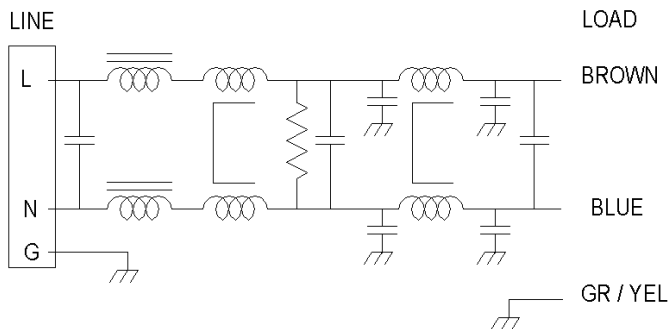
Temperature Range (Storage): _____ -40 to 100°C
 Temperature Range (Operating): _____ -20 to 50°C

Diel. Withstanding Voltage (Line—case): _____ 1500 Vac
 Diel. Withstanding Voltage (line—Line): _____ 1500 Vdc

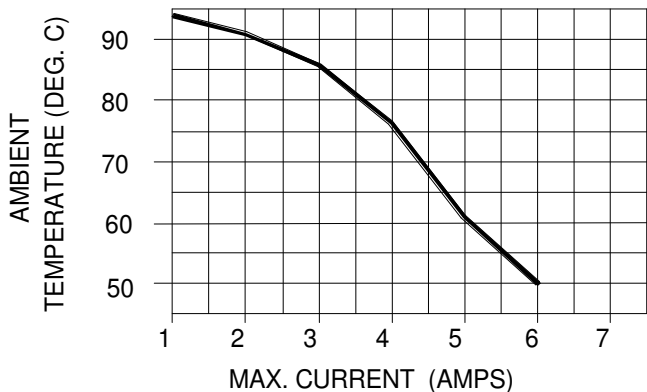
Leakage Current @250 Vac, 60 Hz: _____ 2.5 mA
 Max. Residual Voltage after 1.0 sec: _____ 34 V Max

Calculated MTBF: _____ 2,476,878 Hrs @ 30°C GB

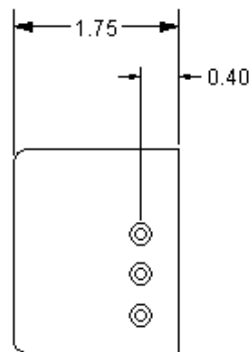
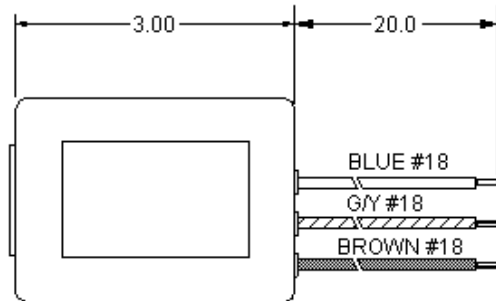
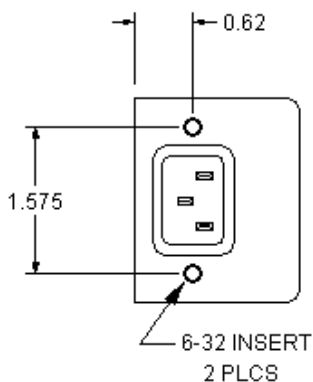
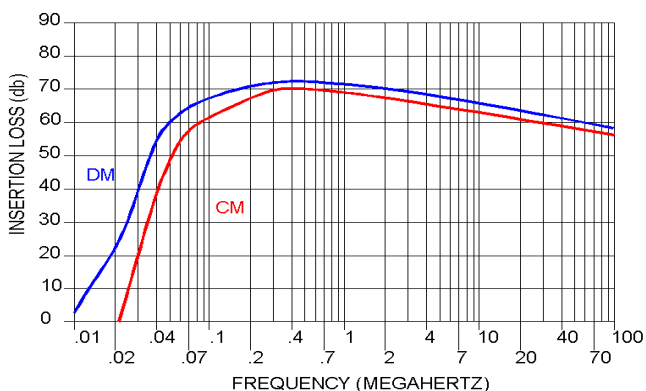
Order P/N: EF-1199-6B



TEMPERATURE DERATING



INSERTION LOSS vs. FREQUENCY



USA JMK Inc 15 Caldwell Dr. Amherst, NH 03031 PH: 603 886-4100 FX: 603 886-4115
 email: info@jmkfilters.com
 EUR JMK Inc Glasgow G13 1DN Scotland UK PH: 44-(0) 7785310729 Fax: 44-(0) 141 589 1884