

Aspherical Glass Lenses For optical communications

Type: **EYLG**□**F**□□□□□□



These products are aspherical glass lenses by using a press molding, and key devices of optical electronics not only provide compact and light weight but also high-performance by utilizing characteristics of aspherical design.

Features

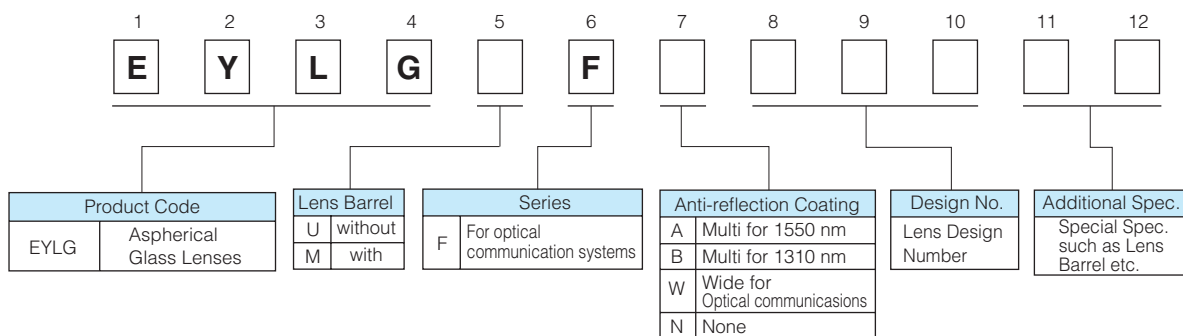
- High numerical aperture achieved via aspherical design
- Short focal length for compact size
- Appropriate lenses and lens material available for many different applications
- Wide temperature and humidity range for increased reliability and stability
- High-quality processing, measurement techniques and precision manufacturing process give less variation in optical properties
- RoHS compliant

* We can offer custom design, sampling and mass production as requested

Recommended Applications

- Coupling lens for optical communication systems
- Collimator lens for optical communication systems

Explanation of Part Numbers



Ratings

Item	Ratings
Operating Temperature Range	-30 to +85 °C
Storage Temperature Range	-40 to +100 °C

■ Please contact the factory for packaging methods.

Design and specifications are each subject to change without notice. Ask factory for the current technical specifications before purchase and/or use. Should a safety concern arise regarding this product, please be sure to contact us immediately.

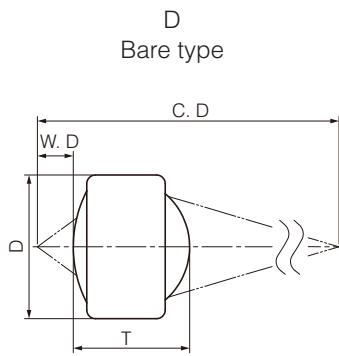
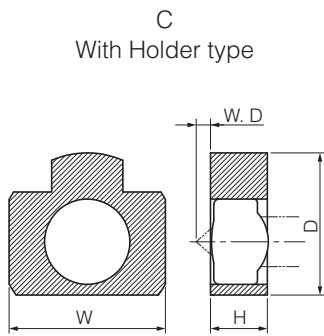
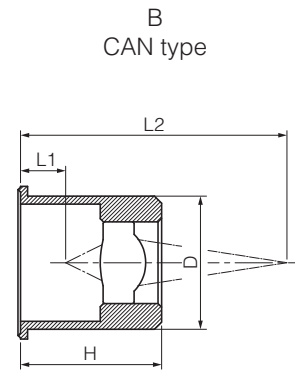
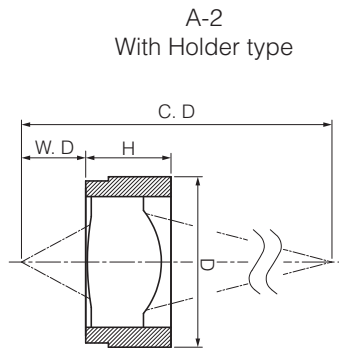
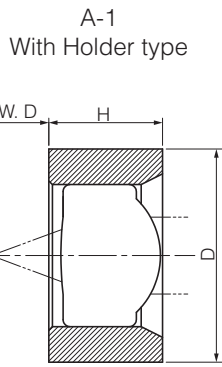
Specifications

● Lenses for Optical Communications

Part No.	Design Wavelength (nm)	Suitable Wavelength (T>97 %) (nm)	Designed with CG	Focal Length (mm)	Working Distance (* L1) (mm)	Conjugate Distance (* L2) (mm)	Magnification
			CG material / Thickness (mm)				
EYLGFW135DR	1550	1260 to 1625	—	2.51	1.68	—	—
EYLGFW192KR	1550	1260 to 1625	—	1.81	1.03	—	—
EYLGFW192WR	1550	1260 to 1625	—	1.81	0.81	—	—
EYLGFW265AR	1550	1260 to 1625	—	3.02	2.26	—	—
EYLGFW479A	1550	1260 to 1625	—	1.59	0.93	—	—
EYLGFB240BR	1310	1260 to 1625	—	1.40	1.13	10.69	5.0
EYLGFB456R	1310	1260 to 1625	—	0.54	0.25	3.85	4.5
EYLGFB508A	1310	1260 to 1625	—	0.55	0.25	3.98	5.3
EYLGFB506A	1310	1260 to 1625	—	0.63	0.52	4.00	4.0
EYLGFB245R	1310	1260 to 1625	BK7 t0.25	1.13	1.27*	7.50*	2.5
EYLGFB295R	1310	1260 to 1625	—	1.35	1.27*	10.18*	4.0
EYLGFB415R	1310	1260 to 1625	—	0.94	1.27*	7.56*	4.0
EYLGFB480A	1310	1260 to 1625	—	0.93	1.20*	5.73*	2.0
EYLGFB305R	1310	1260 to 1625	—	0.46	1.40*	3.90*	3.1
EYLGFB502B	1310	1260 to 1625	—	0.46	1.00*	3.50*	3.1
EYLGFB488A	1577	1260 to 1625	—	1.44	2.62*	12.02*	3.8
EYLGFB463R	1570	1260 to 1625	—	1.48	2.15*	12.10*	4.2
EYLGFB485A	1577	1260 to 1625	—	0.95	2.8*	8.20*	3.1

Part No.	N.A		Effective Diameter (mm)		Beam Diameter (mm)	Dimensions (mm)			Glass Material	Lens Shape type
	S1	S2	S1	S2		Diameter (D)	Height (H)	Thickness (T)		
EYLGFW135DR	—	0.20	1.04	0.80	0.50	2.5	1.4	-	K-PBK40	A-1
EYLGFW192KR	—	0.30	1.08	0.82	0.34	2.5	1.4	-	K-PBK40	A-1
EYLGFW192WR	—	0.30	1.08	0.73	0.36	3.0	1.6	-	K-PBK40	A-1
EYLGFW265AR	—	0.22	1.33	1.14	0.60	3.0	1.6	-	K-PBK40	A-1
EYLGFW479A	—	0.26	0.82	0.70	0.26	1.8	1.4	-	K-PBK40	A-1
EYLGFB240BR	0.50	0.10	1.31	1.70	-	3.0	1.5	-	K-VC89	A-2
EYLGFB456R	0.50	0.11	0.34	0.64	-	1.8	1.0	-	K-VC89	A-2
EYLGFB508A	0.58	0.11	0.40	0.70	-	1.0	-	0.81	K-VC79	D
EYLGFB506A	0.48	0.12	0.59	0.76	-	□1.0	-	0.63	K-VC89	D
EYLGFB245R	0.40	0.16	0.90	1.20	-	3.75	3.97	-	K-VC89	B
EYLGFB295R	0.40	0.10	1.02	1.33	-	3.75	3.90	-	K-VC89	B
EYLGFB415R	0.50	0.13	0.76	1.14	-	3.75	3.50	-	K-VC89	B
EYLGFB480A	0.40	0.20	0.91	1.10	-	4.70	3.23	-	K-VC89	B
EYLGFB305R	0.50	0.16	0.34	0.52	-	3.20	2.45	-	K-VC89	B
EYLGFB502B	0.50	0.16	0.34	0.52	-	3.23	2.10	-	K-VC89	B
EYLGFB488A	0.60	0.16	1.40	2.20	-	5.00	5.90	-	K-VC89	B
EYLGFB463R	0.59	0.14	1.60	2.12	-	5.00	4.93	-	K-VC89	B
EYLGFB485A	0.53	0.17	1.00	1.30	-	4.90	5.00	-	K-VC89	B

Dimensions in mm (not to scale)



W.D : Working Distance
C.D : Coujugate Distance

Guidelines and precautions regarding the technical information and use of our products described in this online catalog.

- If you want to use our products described in this online catalog for applications requiring special qualities or reliability, or for applications where the failure or malfunction of the products may directly jeopardize human life or potentially cause personal injury (e.g. aircraft and aerospace equipment, traffic and transportation equipment, combustion equipment, medical equipment, accident prevention, anti-crime equipment, and/or safety equipment), it is necessary to verify whether the specifications of our products fit to such applications. Please ensure that you will ask and check with our inquiry desk as to whether the specifications of our products fit to such applications use before you use our products.
- The quality and performance of our products as described in this online catalog only apply to our products when used in isolation. Therefore, please ensure you evaluate and verify our products under the specific circumstances in which our products are assembled in your own products and in which our products will actually be used.
- If you use our products in equipment that requires a high degree of reliability, regardless of the application, it is recommended that you set up protection circuits and redundancy circuits in order to ensure safety of your equipment.
- The products and product specifications described in this online catalog are subject to change for improvement without prior notice. Therefore, please be sure to request and confirm the latest product specifications which explain the specifications of our products in detail, before you finalize the design of your applications, purchase, or use our products.
- The technical information in this online catalog provides examples of our products' typical operations and application circuits. We do not guarantee the non-infringement of third party's intellectual property rights and we do not grant any license, right, or interest in our intellectual property.
- If any of our products, product specifications and/or technical information in this online catalog is to be exported or provided to non-residents, the laws and regulations of the exporting country, especially with regard to security and export control, shall be observed.

<Regarding the Certificate of Compliance with the EU RoHS Directive/REACH Regulations>

- The switchover date for compliance with the RoHS Directive/REACH Regulations varies depending on the part number or series of our products.
- When you use the inventory of our products for which it is unclear whether those products are compliant with the RoHS Directive/REACH Regulation, please select "Sales Inquiry" in the website inquiry form and contact us.

We do not take any responsibility for the use of our products outside the scope of the specifications, descriptions, guidelines and precautions described in this online catalog.
